

Installation Instructions

F16

For Rook Paper Towel Holder 84-4007

CAUTION: FAILURE TO INSTALL THIS PRODUCT PROPERLY MAY RESULT IN PERSONAL INJURY OR PROPERTY DAMAGE. We recommend installation by a qualified individual trained in the building trade.

This product must be installed in accordance with applicable installation code(s), by a person familiar with the construction and operation of the product and the hazards involved.*

To Install

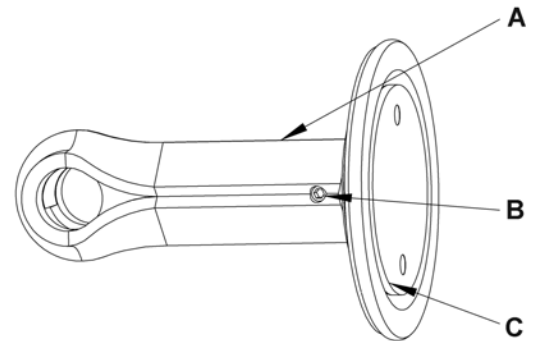
Component Parts

A	Mounting Arm (2)	E	Wall Anchors (4)
B	Set Screw (2)	F	Removable Bar
C	Wall Mount Plate (2)	G	Fixed Bar
D	Screws (4)	H	Magnet

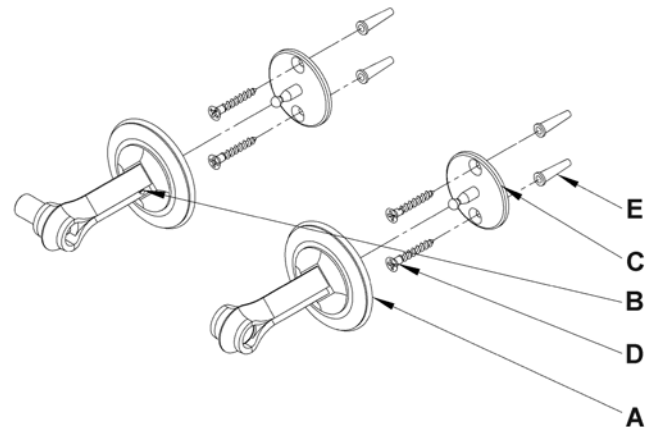
1. Remove wall mount plate (C) from the mounting arm (A) by loosening set screw (B) and sliding wall mount plate (C) from mounting arm (A). Do this for both arms (*Figure 1*).
2. Hold first wall mount plate (C) in location it is to be mounted. With a pencil, mark the location of the mounting holes in the wall mount plate (C) on the wall behind.
3. Measure 12 1/4" from the marked holes for the location of the second wall mount plate (C).
4. Put the wall mount plate down and drill 1/4" holes in the locations marked on the wall if wall anchors (E) are to be used. **If directly attaching to a solid support the drilled hole is not needed.** For holes using anchors, place the tapered end of the anchors (E) into the holes and gently tap them flush to the wall using a light weight hammer.
5. Install screws (D) through wall mount plates (C) and into each anchor (E). **If anchors are not needed the screws (D) can be installed directly to the wall.**
6. Tighten set screw (B) in both arms.
7. Remove tape from end of removable bar (F) and discard.
8. Slip removable bar (F) through mounting arm (A) with magnet pointing towards second mounting arm (A) with fixed bar (G).
9. Once past first arm slip paper towel roll onto removable bar (F) and slip bar into second mounting arm until magnet (H) is touching fixed bar (G).

If you need further assistance, or find that you are missing any parts, please contact the dealer from which you purchased this product. We hope you enjoy your fixture!

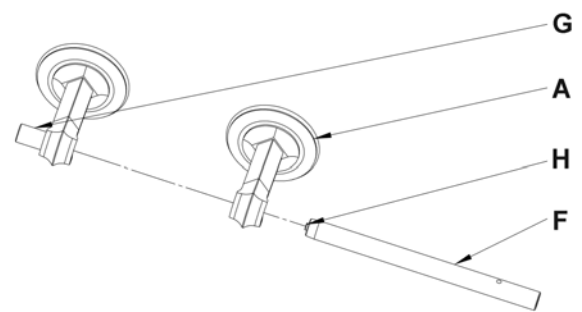
* Hubbardton Forge will not be liable for injury or damage caused by improper installation or use of this fixture.



(Figure 1)



(Figure 2)



(Figure 3)