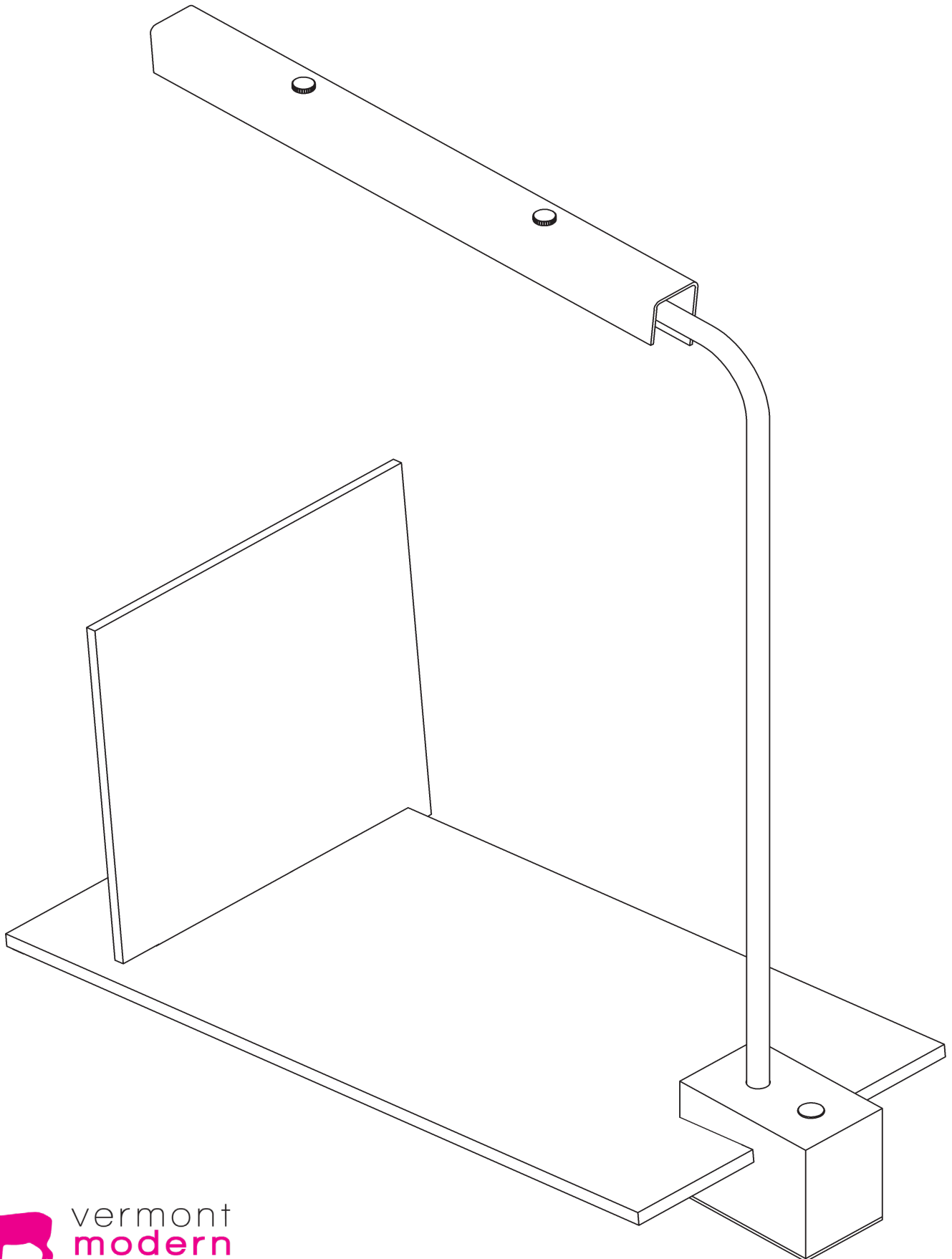


# Assembly & Installation Instructions

Bookie Table Lamp 273100

C88



vermont  
modern  
BY HUBBARDTON FORGE

Castleton, Vermont USA | VERMONTMODERN.COM

40281

1 OF 3

# Assembly & Installation Instructions

C88

Bookie Table Lamp 273100

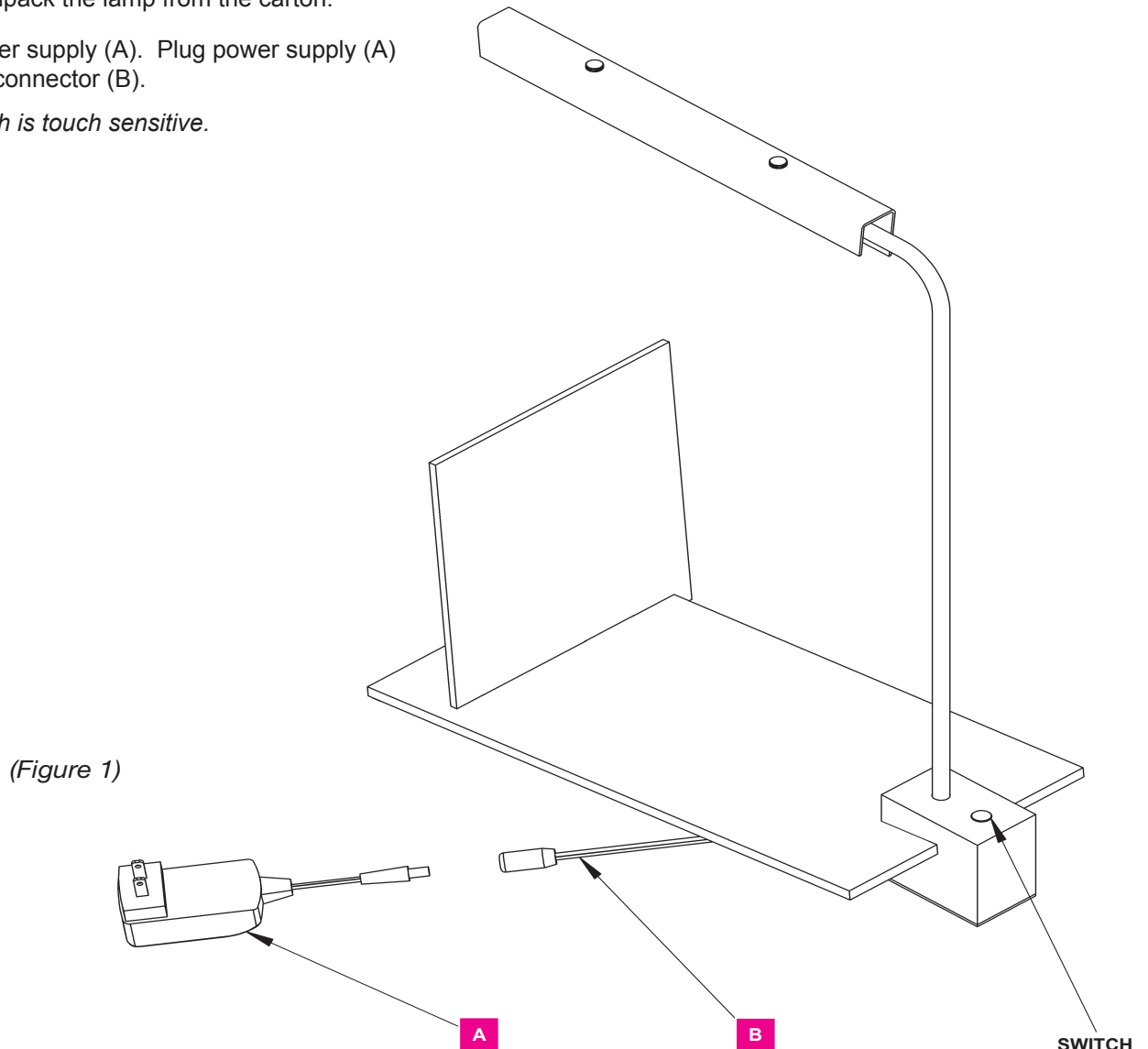
## Component Parts

- A Power Supply
- B Fixture Connector

## Complete Lamp Assembly (Figure 1)

1. Carefully unpack the lamp from the carton.
2. Locate power supply (A). Plug power supply (A) into fixture connector (B).

*Note: Switch is touch sensitive.*



If you need further assistance, or find that you are missing any parts, please contact the dealer from which you purchased this product. We hope you enjoy your fixture!

Hubbardton Forge will not be liable for injury or damage caused by improper installation, lamping or use of this fixture.

