

Assembly Instructions

For Metra Buffet Lamp 268413

C81

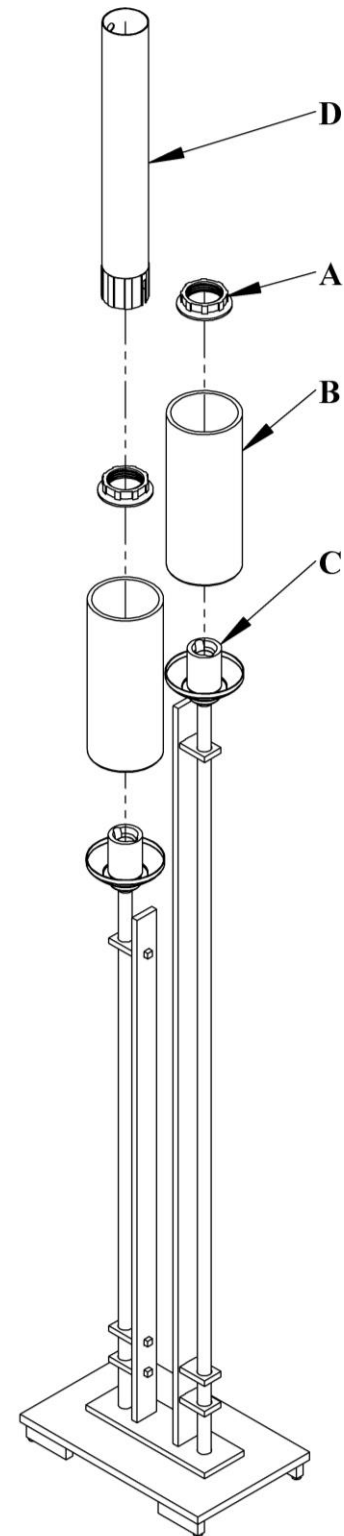
Page 1 of 1

To Install Glass

Component Parts

- A Retaining Ring (2)
- B Glass (2)
- C Lamp Socket (2)
- D Socket Tool
- E Dimmer Knob
- F Dimmer Rod

1. Carefully unpack the lamp from the carton.
2. Remove retaining rings (A) from lamp socket (C). Save for later use. Retaining rings are shipped installed on lamp sockets.
3. Place glass (B) over lamp socket (C).
4. Thread the second retaining ring (A) and tighten using socket tool provided (D) until it reaches the bottom of the glass (B). *Be careful not to over tighten.*
5. Install light bulbs.



If you need further assistance, or find that you are missing any parts, please contact the dealer from which you purchased this product. We hope you enjoy your fixture!