

Assembly Instructions

For Formae Floor Lamp 232720

C24

page 1 of 2

To Assemble (Figure 1)

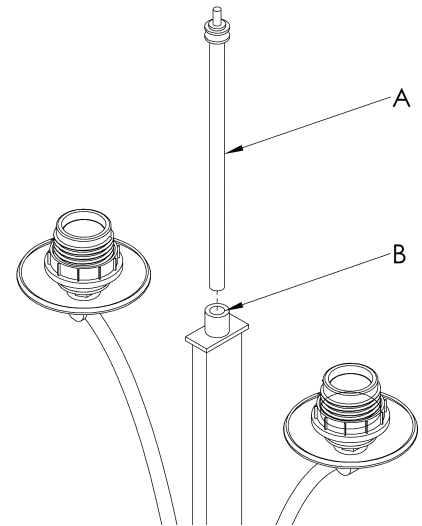
Component Parts

- A Shade Pipe
- B Coupling

1. Apply a drop of the supplied thread locking compound to the internal threads of coupling (B) and screw shade pipe into fixture.

Note: Application of the thread locking compound is necessary to prevent the pipe from loosening during regular maintenance and cleaning of the fixture. Be certain to apply the compound.

2. See following to complete the installation.



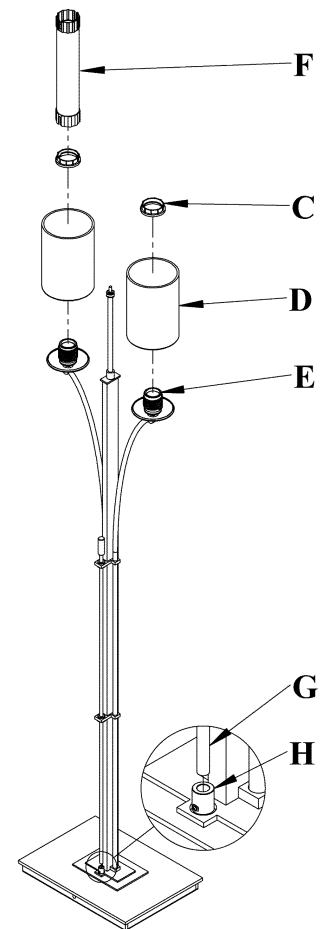
(Figure 1)

To Install Glass (Figure 2)

Component Parts

- C Retaining Ring
- D Glass
- E Lamp Socket
- F Socket Tool
- G Dimmer Rod
- H Dimmer Knob

1. Place glass (D) over lamp socket (E).
2. Thread retaining ring (C) on to socket using socket tool provided (F) until it reaches the bottom of the glass (D).
3. Apply a drop of the supplied thread locking compound to the internal threads at the top of the dimmer knob (H). Run dimmer rod (G) down thru grommets and thread into dimmer knob (H). Note: Application of the thread locking compound is necessary to prevent the dimmer rod from loosening. Be certain to apply the compound.



(Figure 2)

(continued)

Assembly Instructions

For Formae Floor Lamp 232720

C24

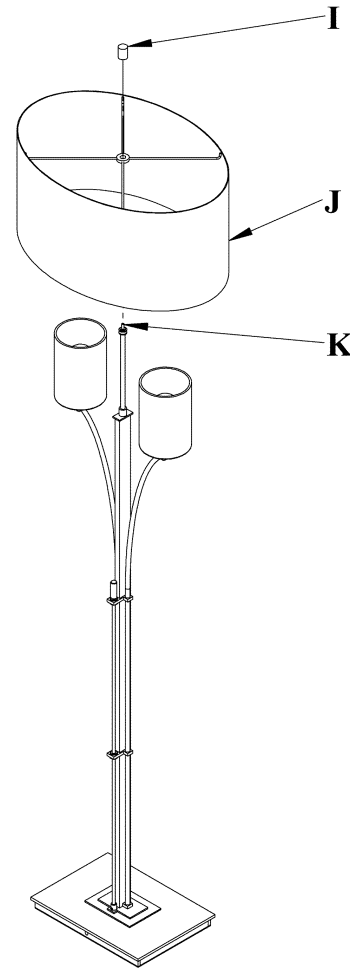
page 2 of 2

To Attach Shade (Figure 3)

Component Parts

- I Finial
- J Shade
- K Threaded Stud

1. Install light bulbs.
2. Install shade (J) on to threaded stud (K).
3. Thread finial (I) on to threaded stud (K) until tight against shade (J).



(Figure 3)

If you need further assistance, or find that you are missing any parts, please contact the dealer from which you purchased this product. We hope you enjoy your fixture!