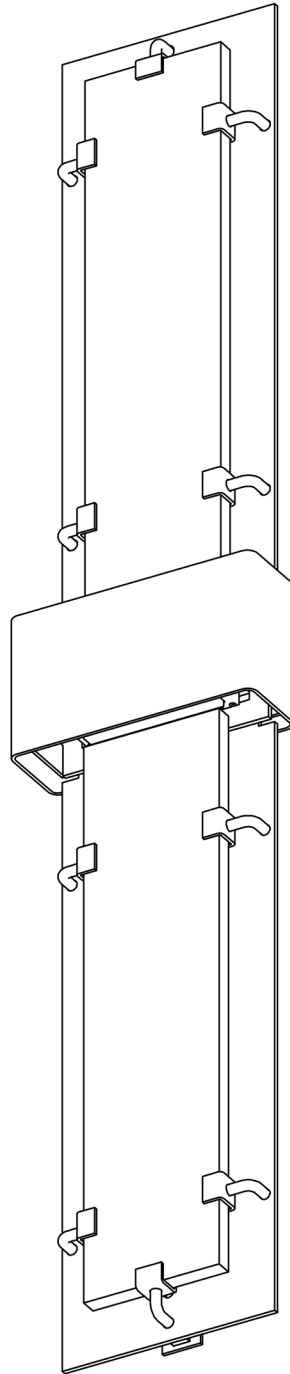


# ASSEMBLY & INSTALLATION INSTRUCTIONS

**B427**

Double Ursa 302507

---



**Component Parts**

- A. Fixture**
- B. Mounting Bracket**
- C. Lower Decorative Plate**
- D. Upper Decorative Plate**
- E. #8 Screws (4)**
- F. Ground Screw**
- G. Cupped Washer**
- H. Rubber Washer (2)**
- I. Caulking Lip**
- J. Upper Spacer Assembly**
- K. Lower Spacer Assembly**
- L. Thumbscrew**
- M. Adjustment screw**
- N. Glass (2)**
- O. Set screw**
- P. Bottom Bracket**
- Q. Bottom Rod**
- R. Upper Rod**
- S. #10 Screws (4)**
- T. Upper Decorative Plate Screws (2)**
- U. Lower Decorative Plate Screws (2)**



# ASSEMBLY & INSTALLATION INSTRUCTIONS

B427

Double Ursa 302507

**CAUTION: FAILURE TO INSTALL THIS FIXTURE PROPERLY MAY RESULT IN SERIOUS PERSONAL INJURY OR DEATH AND PROPERTY DAMAGE.** We recommend installation by a licensed electrician. This product must be installed in accordance with applicable installation code(s), by a person familiar with the construction and operation of the product and the hazards involved.\*

**Caution:** Do not exceed maximum wattage noted on fixture. Use only recommended bulbs with fixture.

Please Note: After installation extra hardware and accessories are possible; our kits are used on multiple products.

## To Install Fixture (Figures 1 & 2)

**CAUTION: BE SURE POWER IS OFF AT THE MAIN BREAKER BOX PRIOR TO INSTALLATION.**

1. Carefully unpack the fixture (A) from the carton.
2. The fixture is wrapped in plastic wrap. Remove plastic wrap and foam block.
3. Locate the mounting bracket (B), found in the kit bag. Thread the wires in the electrical box through the hole in the mounting bracket (B) while moving the bracket into position. Using (2) #8 machine screws (not provided), attach the bracket securely to the junction box. Make sure bracket is level. (Figure 2)  
**Note:** A new electric box comes with screws. When replacing an existing fixture, retain screws for use with the new fixture
4. Attach a pigtail lead to the mounting bracket (B) using the ground screw (F) and cupped washer (G) found in kit bag.
5. Orient fixture (A) such that the glass shield is facing upward.
6. Hold fixture (A) close to wall. Using suitable wire connectors (not provided), connect fixture wires to supply wires (white to white and black to black). Connect all ground wires (bare copper or green to bare copper or green).

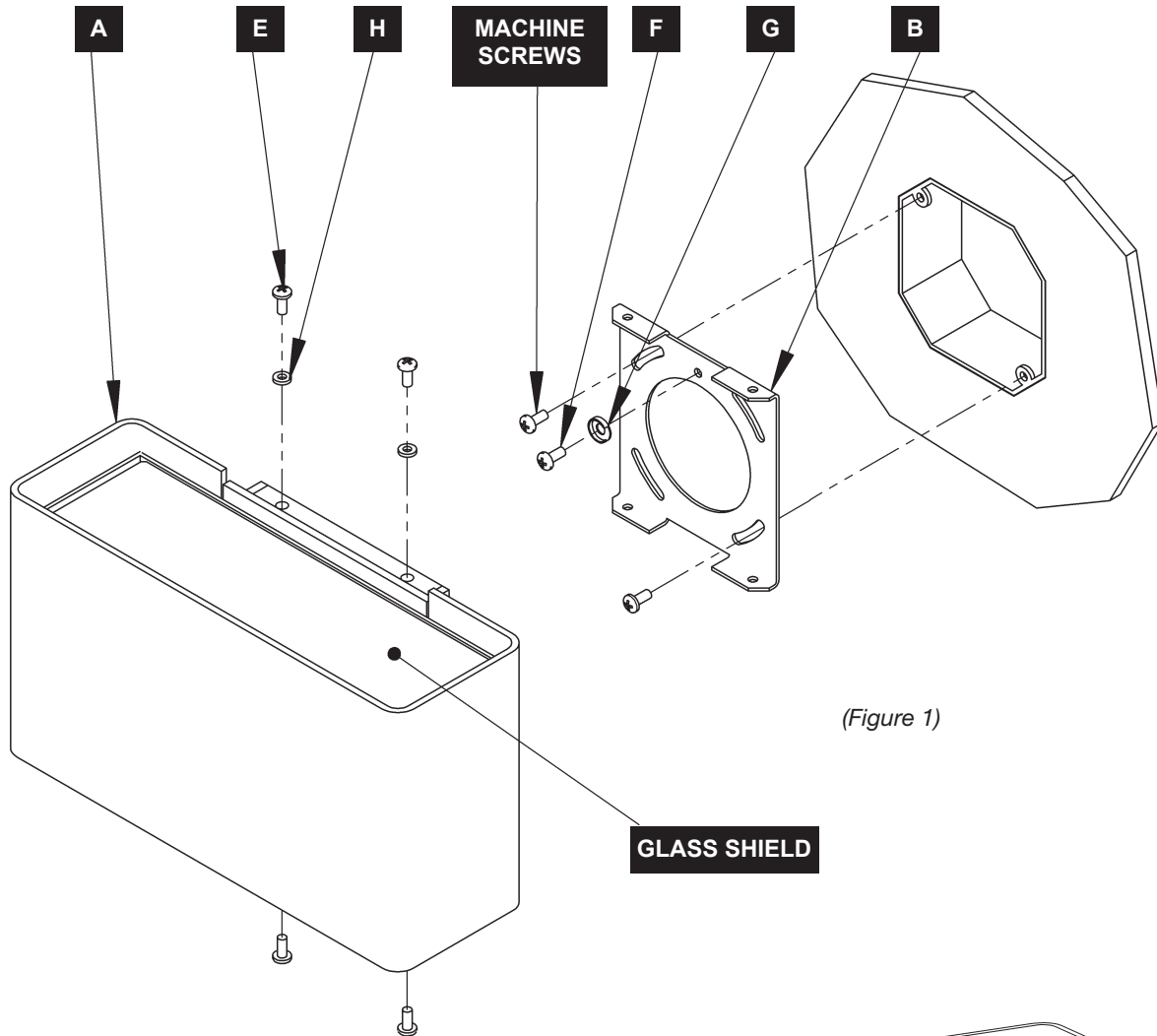
**CAUTION: MAKE SURE WIRE CONNECTORS ARE TWISTED ON SECURELY, AND NO BARE WIRE IS EXPOSED.**

7. Apply a generous bead of a suitable caulking material (not provided) to caulking lip (I) on the fixture (Figure 3).
8. Place fixture (A) over mounting bracket (B). Secure with #8 screw (E) and rubber washers (H) on top and #8 screws (E) in bottom of fixture. Be sure no wires are pinched between fixture and wall.

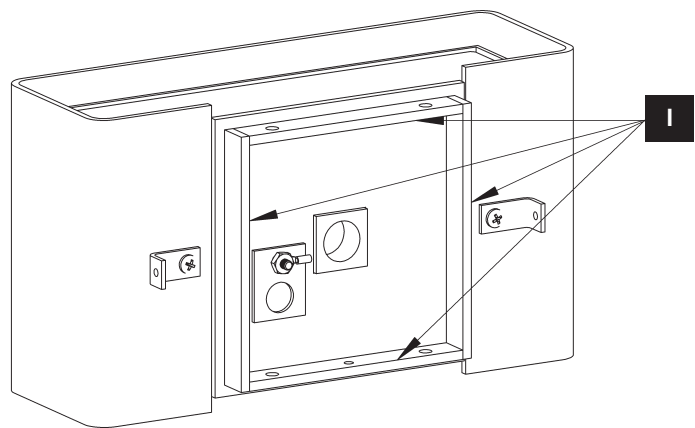
# ASSEMBLY & INSTALLATION INSTRUCTIONS

**B427**

Double Ursa 302507



(Figure 1)



(Figure 2)

Double Ursa 302507

## To Install Upper and Lower Spacers. (Figure 3)

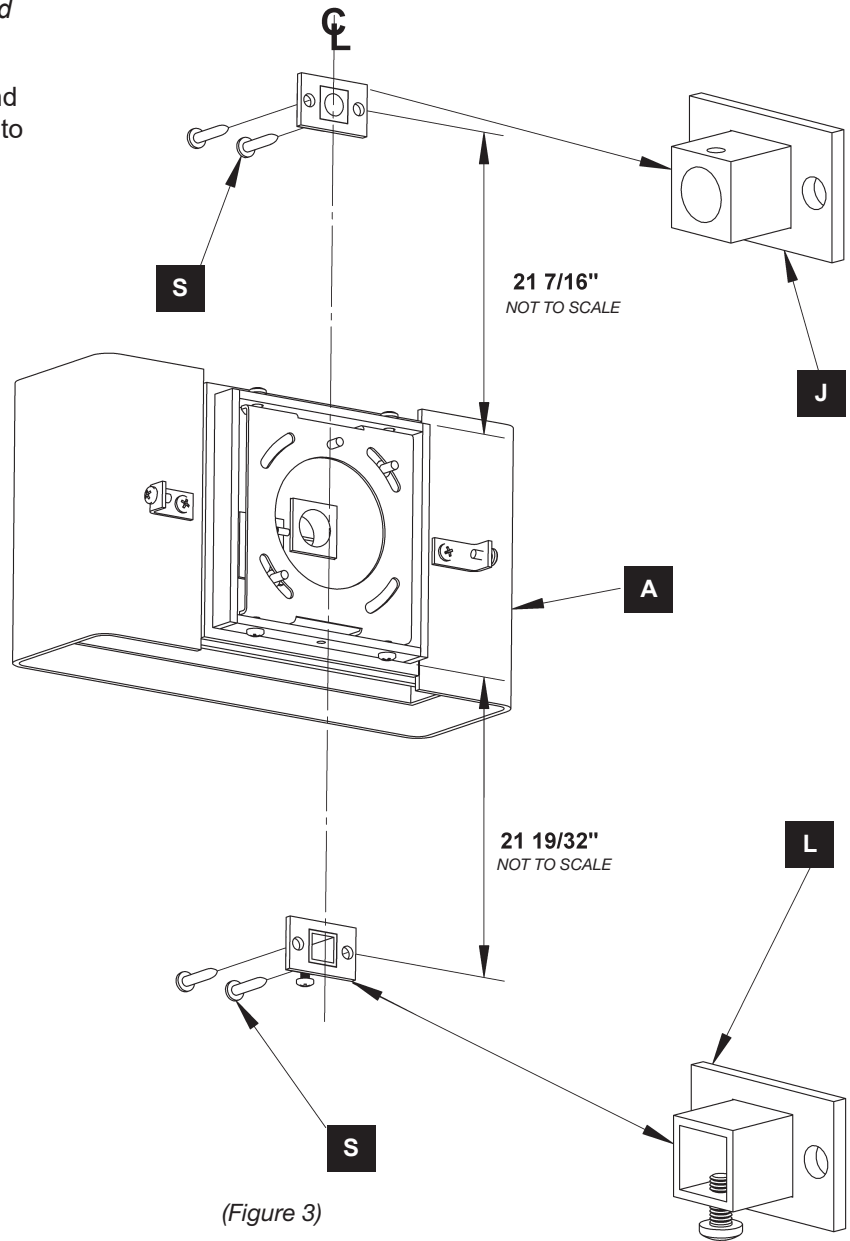
- Using diagram in Figure 4, place marks on the wall to locate the upper and lower spacer assemblies (J & K).

*Note: Measurements are from the edge of the mounting can of the fixture to the centerline of the spacer.*

- Remove thumbscrew (L) from upper spacer (J) and set aside for use later.

*Note: Upper spacer (J) has a round hole and Lower spacer (K) has a square hole.*

- Hold appropriate spacer level on the wall and using two #10 screws (S) fasten the spacer to the wall. Repeat for the other spacer.



(Figure 3)

Double Ursa 302507

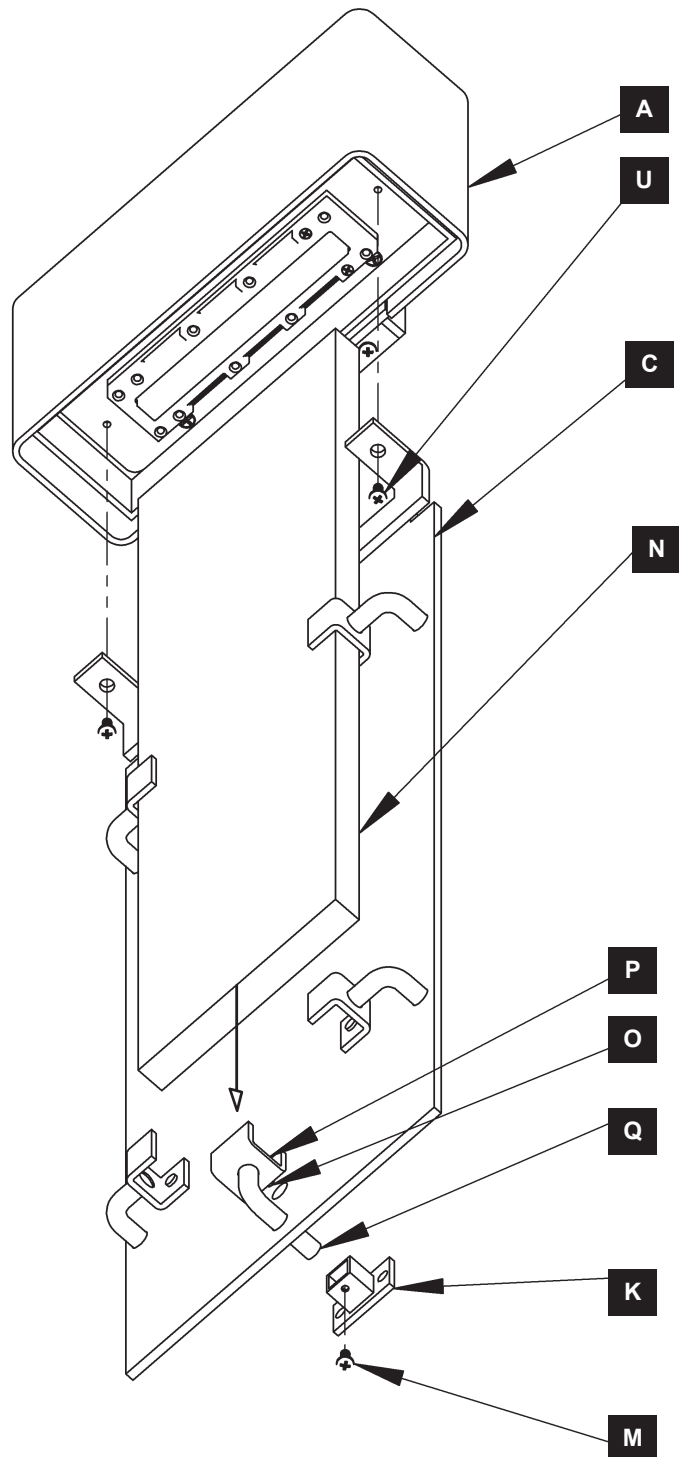
## To Install Lower Glass/Decorative Assembly (Figure 4)

1. Carefully slide glass (N) into lower decorative assembly (C) until it settles into bottom bracket (P). It may be necessary to loosen the set screw (O) to allow glass to drop into the bottom bracket (P).

**Note:** Be sure not to drop glass (N) into bottom bracket as glass could chip from the force.

2. Using hex wrench (provided), tighten set screw (O) in bottom bracket (P) until snug against glass (N). Be sure not to overtighten.
3. Place lower decorative assembly (C) and glass (N) up into fixture assembly (A) while aligning bottom rod (Q) with lower spacer assembly (K) install screws (U).
4. If adjustment is needed to hold lower decorative assembly parallel with wall, loosen adjustment screw (M), move lower decorative assembly to desired position and retighten screw.

**Note:** It is not necessary to completely remove adjustment screw (M) from lower spacer assembly (K).



(Figure 4)

## **To Install Upper Glass/Decorative Assembly** (Figure 5 & 6)

---

1. Remove screws (T) from side brackets on fixture (A).
2. Carefully slide glass (N) into upper decorative assembly (D).
3. Locate upper rod (R). Insert round end through the decorative assembly (D) until U-shaped piece is aligned with glass (N). Rotate glass holder 90 degrees so that the u shaped piece fits around the glass (N).
4. While holding the decorative assembly (D), glass (N) and upper rod (R) together, place on top of fixture so that legs on the upper decorative assembly (D) slide behind the fixture and align with the side brackets. Make sure that the square block on the top of the assembly (D) fits over the upper spacer assembly (J).
5. Slowly let the glass (N) slide down until it sets on the glass shield on the top of the fixture (A).

**Note:** *Be sure not to drop glass (N) onto glass shield. Both glass pieces could break.*

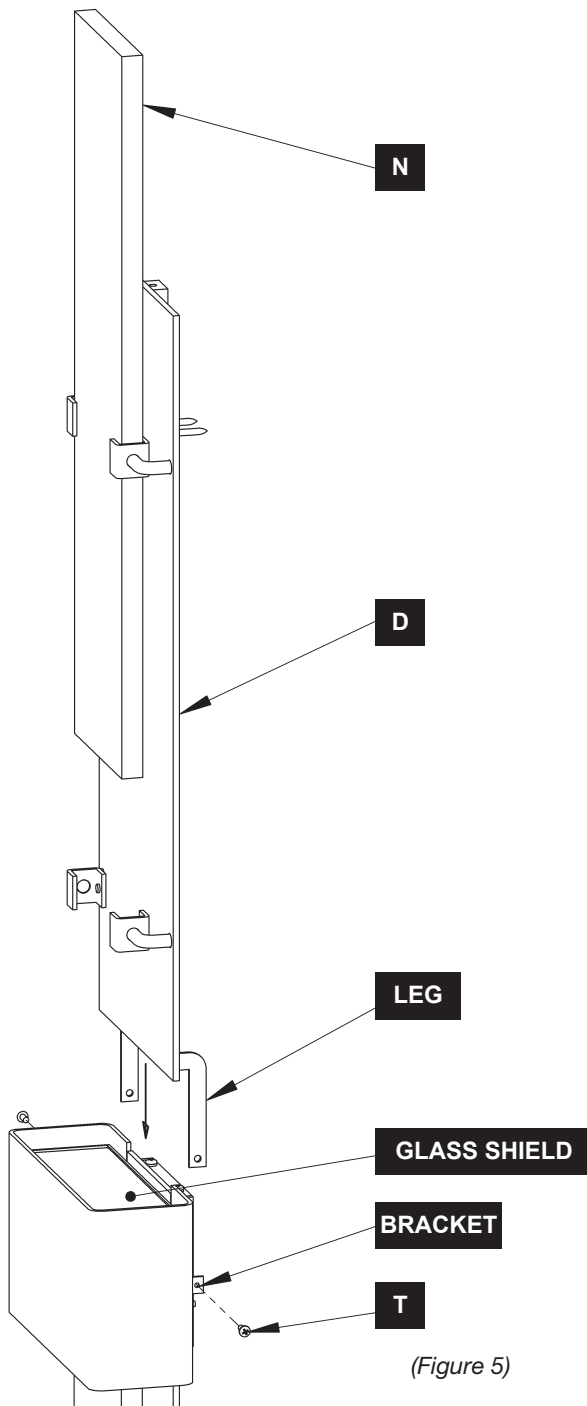
6. Attach upper decorative assembly (D) to fixture using 2 screws (T).
7. Adjust upper rod (R) to hold glass (N) vertical. Put thumb screw (L) through square block on the back of assembly (D), thread into upper spacer assembly (J) and tighten against the upper rod (R).
8. Restore electricity at main breaker.



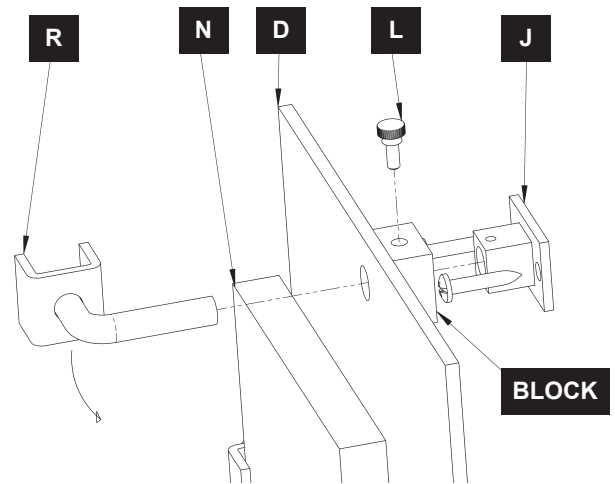
# ASSEMBLY & INSTALLATION INSTRUCTIONS

**B427**

Double Ursa 302507



(Figure 5)



(Figure 6)

If you need further assistance, or find that you are missing any parts, please contact the dealer from which you purchased this product. We hope you enjoy your fixture!

**\* Hubbardton Forge will not be liable for injury or damage caused by improper installation, lamping or use of this fixture.**