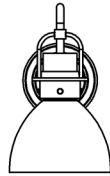


ASSEMBLY & INSTALLATION INSTRUCTIONS

B400

HF Reflections — Castleton Sconces



202160

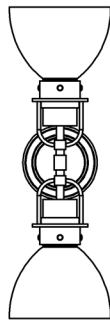


202161

(SHOWN IN ILLUSTRATIONS)



202162



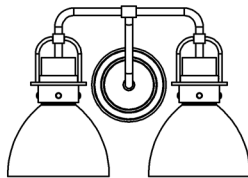
202165



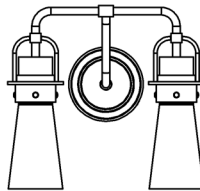
202166



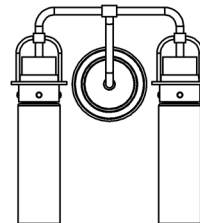
202167



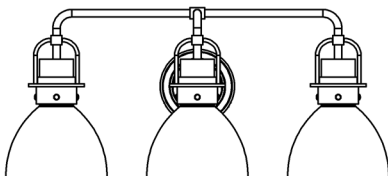
202169



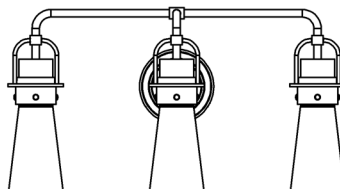
202170



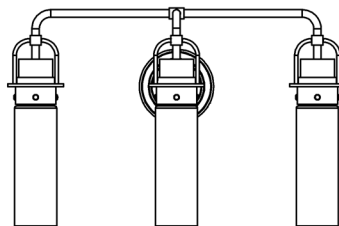
202171



202173



202174



202175



HUBBARDTON FORGE.

Component Parts

- A Fixture**
- B Mounting Bracket**
- C Flat Head Screws (3)**
- D Pan Head Screws (2)**
- E Socket**
- F Bulb (Not Included)**
- G Glass**
- H Tube**
- I Knurled Head Screw (3)**



ASSEMBLY & INSTALLATION INSTRUCTIONS

B400

HF Reflections — Castleton Sconces

CAUTION: FAILURE TO INSTALL THIS FIXTURE PROPERLY MAY RESULT IN SERIOUS PERSONAL INJURY OR DEATH AND PROPERTY DAMAGE. We recommend installation by a licensed electrician. This product must be installed in accordance with applicable installation code(s), by a person familiar with the construction and operation of the product and the hazards involved.*

Caution: Do not exceed maximum wattage noted on fixture. Use only recommended bulbs with fixture.

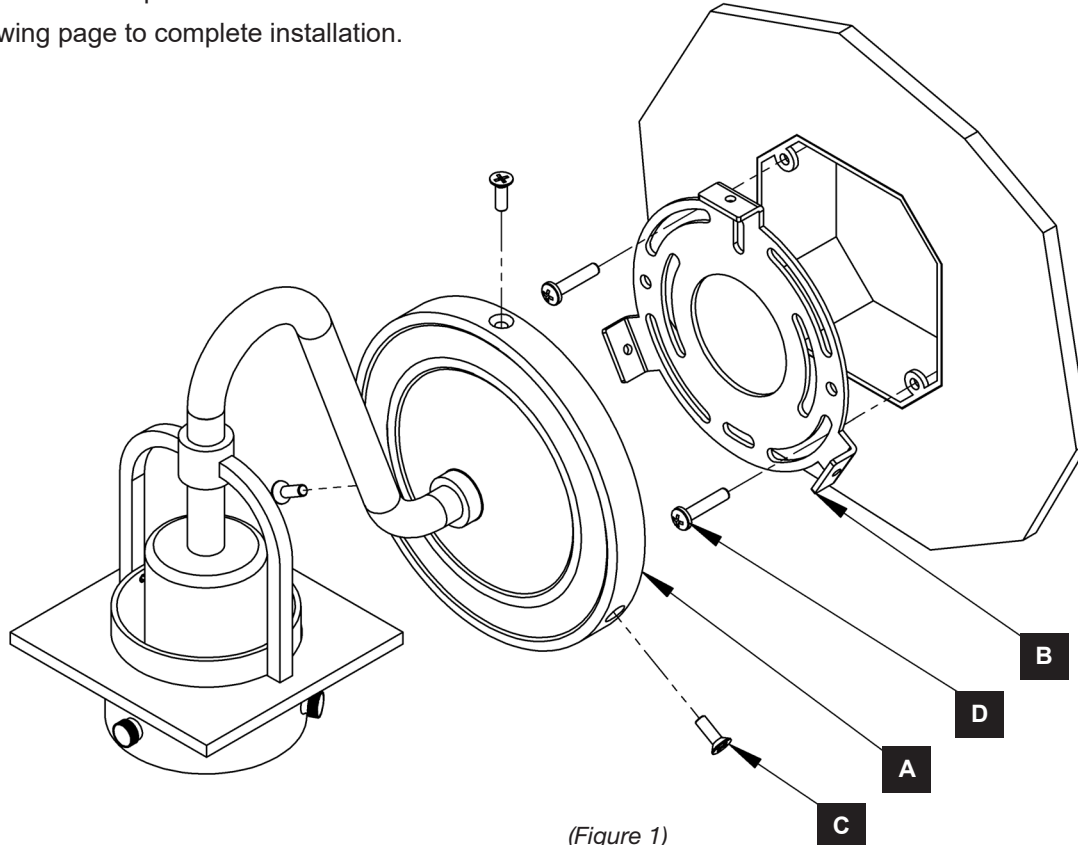
To Install Fixture *(Figure 1, single sconce used for illustration)*

CAUTION: BE SURE POWER IS OFF AT THE MAIN BREAKER BOX PRIOR TO INSTALLATION.

1. Carefully unpack the fixture (A) from the carton.
2. Remove flat head screws (E) from mounting bracket (B). Separate parts and set aside for later use.
3. Line up holes in mounting bracket (B) with holes in electrical box. See Figure 1 for bracket orientation.
4. Thread the wires in the electrical box through the hole in the mounting bracket (B) and using (2) pan head screws (D) found in kit bag, fasten bracket (B) to the wall.
5. Hold fixture (A) close to wall. Using suitable wire connectors (not provided), connect fixture wires to supply wires (white to white and black to black). Connect all ground wires (bare copper or green to bare copper or green).

CAUTION: MAKE SURE WIRE CONNECTORS ARE TWISTED ON SECURELY, AND NO BARE WIRE IS EXPOSED.

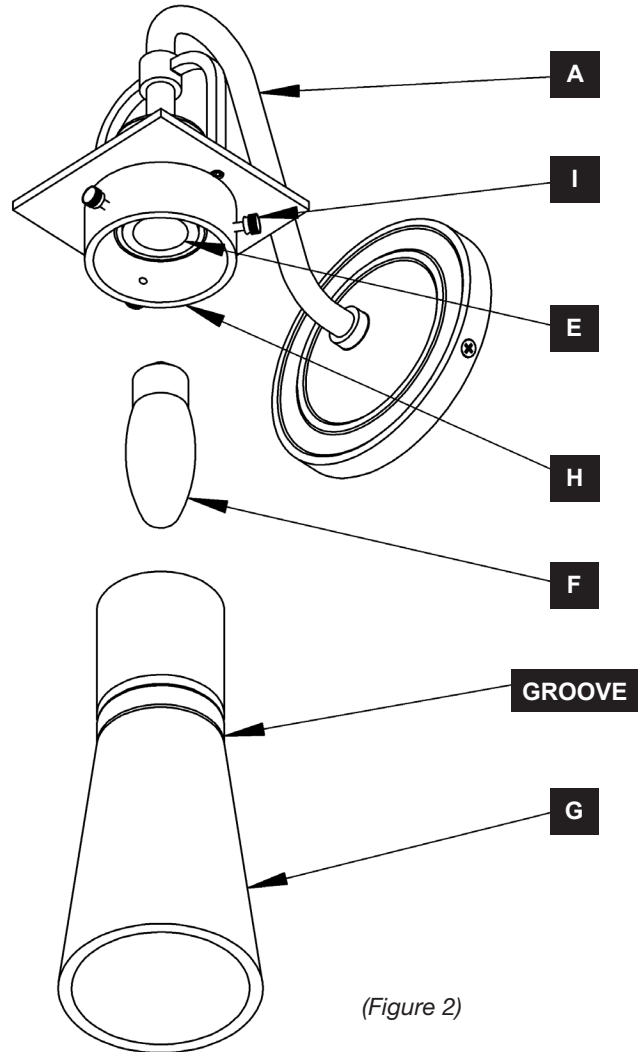
6. Place fixture (A) over mounting bracket (B). Secure with three flat head screws (E). Be sure no wires are pinched between fixture and wall.
7. See following page to complete installation.



(Figure 1)

To Install Glass (Figure 2)

1. Install bulb (F) into socket (E).
2. Slide glass (G) into tube (H).
Note: It may be necessary to loosen screws to allow glass to fit into tube. They will not need to be removed completely.
3. Align glass groove with screws. Snug screws evenly to secure glass in fixture.
Note: Be care not to overtighten screws as it could break the glass.
4. Repeat for remaining sockets and glass if installing a multi-light fixture.
5. Restore electricity at main breaker.



(Figure 2)

Care Instructions

To clean your fixture, use a soft, non-abrasive cloth with water and a mild detergent soap. Be sure to rotate the cloth so you're always using clean sections of it. For extra protection, follow cleaning with a non-abrasive paste or liquid wax. Always use a soft, non-abrasive cloth for application.

DO NOT use abrasive materials or cleaners or any products with alcohol or ammonia (most common cleaners such as Windex, Endust, etc. contain chemicals that will damage the finish).

If you need further assistance, or find that you are missing any parts, please contact the dealer from which you purchased this product. We hope you enjoy your fixture!

*** Hubbardton Forge will not be liable for injury or damage caused by improper installation, lamping or use of this fixture.**