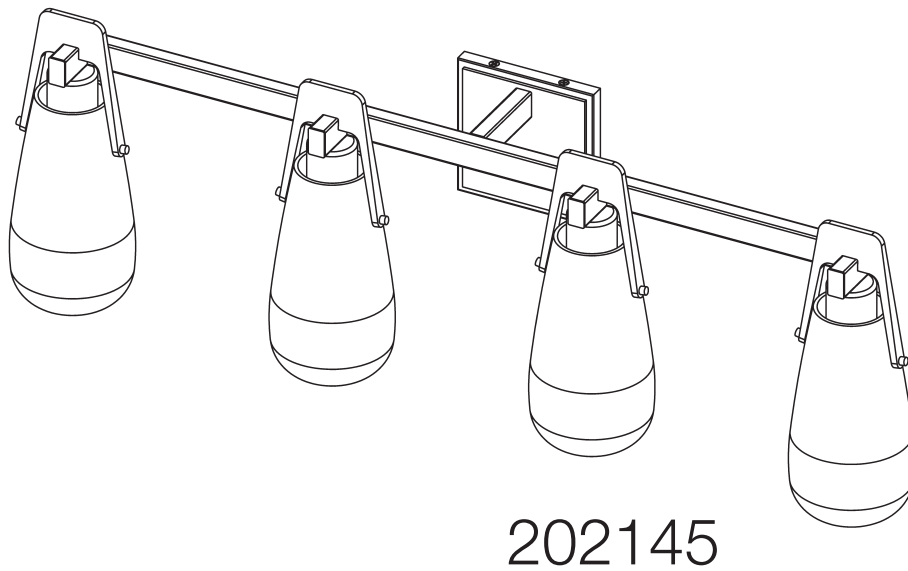
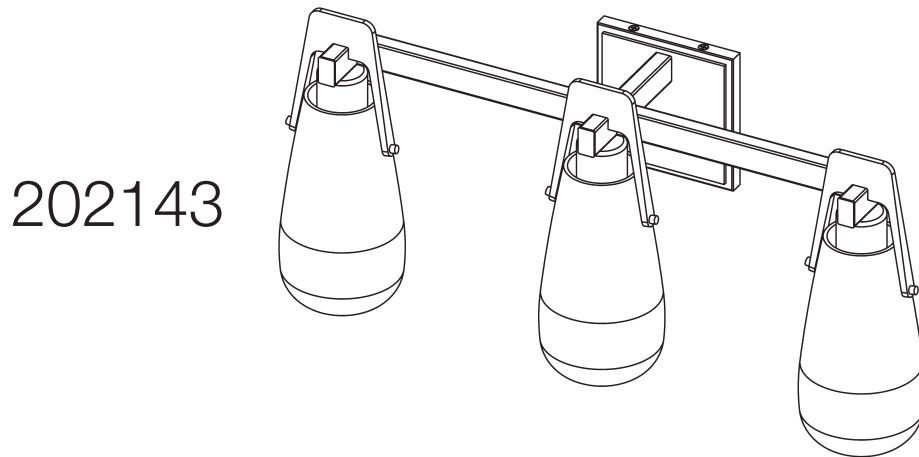
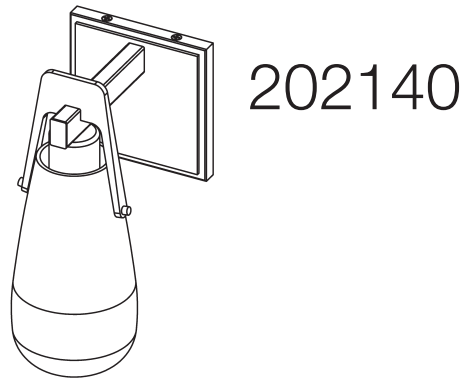


ASSEMBLY & INSTALLATION INSTRUCTIONS

B398

HF Reflections — Vessel Sconces 202140, 202143 & 202145



Component Parts

- A Fixture**
- B Mounting Bracket**
- C Flat Head Screws (4)**
- D Pan Head Screw (2)**
- E Thumb Screws (2)**
- F Bulb (Not Included)**
- G Glass**



ASSEMBLY & INSTALLATION INSTRUCTIONS

B398

HF Reflections — Vessel Sconces 202140, 202143 & 202145

CAUTION: FAILURE TO INSTALL THIS FIXTURE PROPERLY MAY RESULT IN SERIOUS PERSONAL INJURY OR DEATH AND PROPERTY DAMAGE. We recommend installation by a licensed electrician. This product must be installed in accordance with applicable installation code(s), by a person familiar with the construction and operation of the product and the hazards involved.*

Caution: Do not exceed maximum wattage noted on fixture. Use only recommended bulbs with fixture.

To Install Fixture *(Figure 1, following page, single sconce used for illustration)*

CAUTION: BE SURE POWER IS OFF AT THE MAIN BREAKER BOX PRIOR TO INSTALLATION.

1. Carefully unpack the fixture (A) from the carton.
2. Unscrew flat head screws (C) from mounting bracket (B) and separate bracket from fixture.
3. Place the mounting bracket (B) over the electrical box being sure to hold it level. Line up holes in mounting bracket with holes in electrical box. Attach mounting bracket with pan head screws (D).
4. Hold fixture (A) close to wall. Using suitable wire connectors (not provided), connect fixture wires to supply wires (white to white and black to black). Connect all ground wires (bare copper or green to bare copper or green).

CAUTION: MAKE SURE WIRE CONNECTORS ARE TWISTED ON SECURELY, AND NO BARE WIRE IS EXPOSED.

5. Place fixture (A) over mounting bracket (B). Secure with flat head screws (C) on top and bottom of fixture. Be sure no wires are pinched between fixture and wall.
6. Install bulb (F) (not included) into socket
7. Unpack glass (G). Loosen thumb screws (E) in fixture.
Note: *Thumb screws do not need to be removed completely.*
8. Slide glass (G) over bulb (F) and align holes in glass with thumb screws (E).
9. Screw thumb screws through holes to hold glass.
10. Repeat if installing multi-light fixture.
11. Restore electricity at main breaker.

Care Instructions

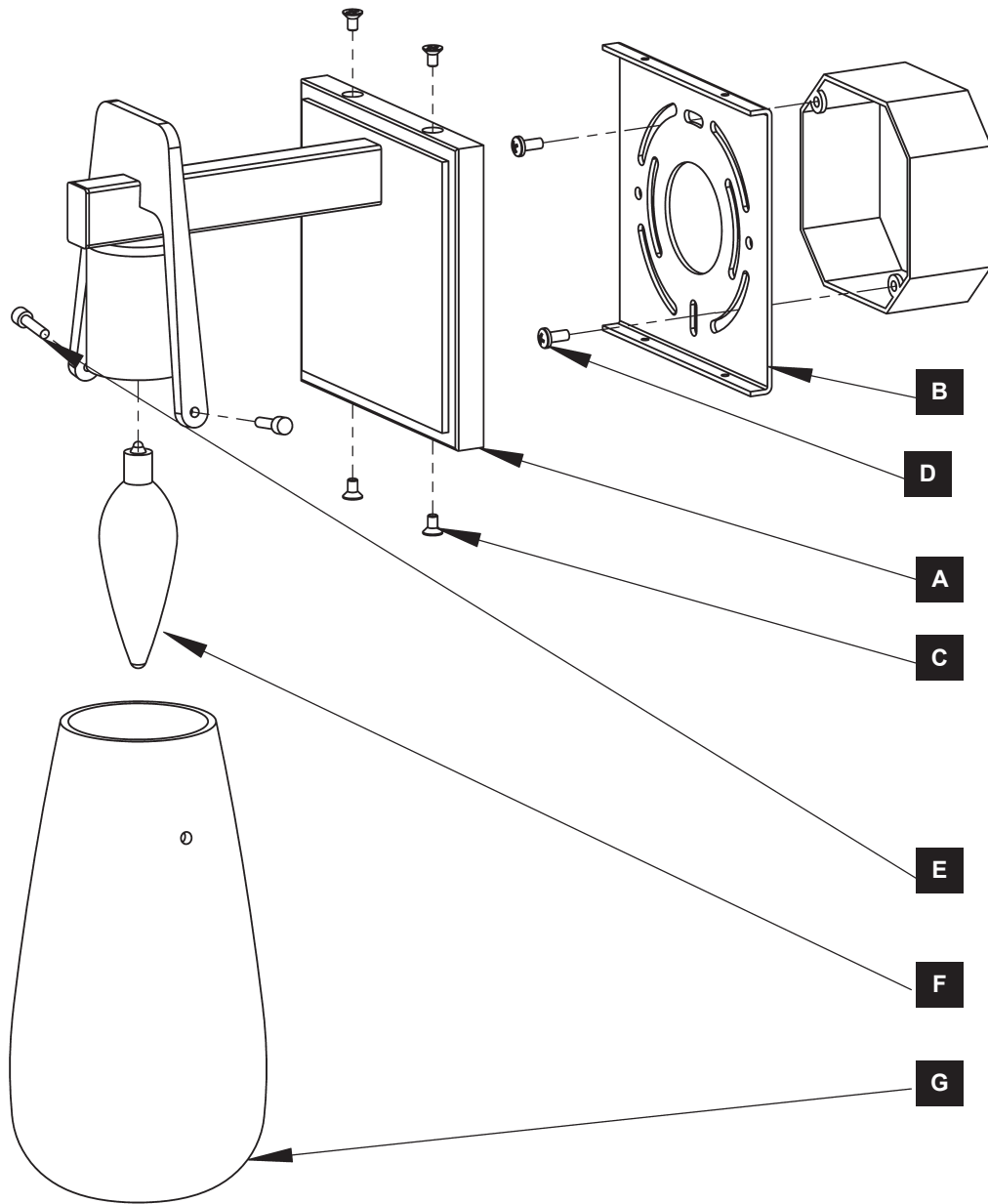
To clean your fixture, use a soft, non-abrasive cloth with water and a mild detergent soap. Be sure to rotate the cloth so you're always using clean sections of it. For extra protection, follow cleaning with a non-abrasive paste or liquid wax. Always use a soft, non-abrasive cloth for application.

DO NOT use abrasive materials or cleaners or any products with alcohol or ammonia (most common cleaners such as Windex, Endust, etc. contain chemicals that will damage the finish).

ASSEMBLY & INSTALLATION INSTRUCTIONS

B398

HF Reflections — Vessel Sconces 202140, 202143 & 202145



(Figure 1)

If you need further assistance, or find that you are missing any parts, please contact the dealer from which you purchased this product. We hope you enjoy your fixture!

*** Hubbardton Forge will not be liable for injury or damage caused by improper installation, lamping or use of this fixture.**