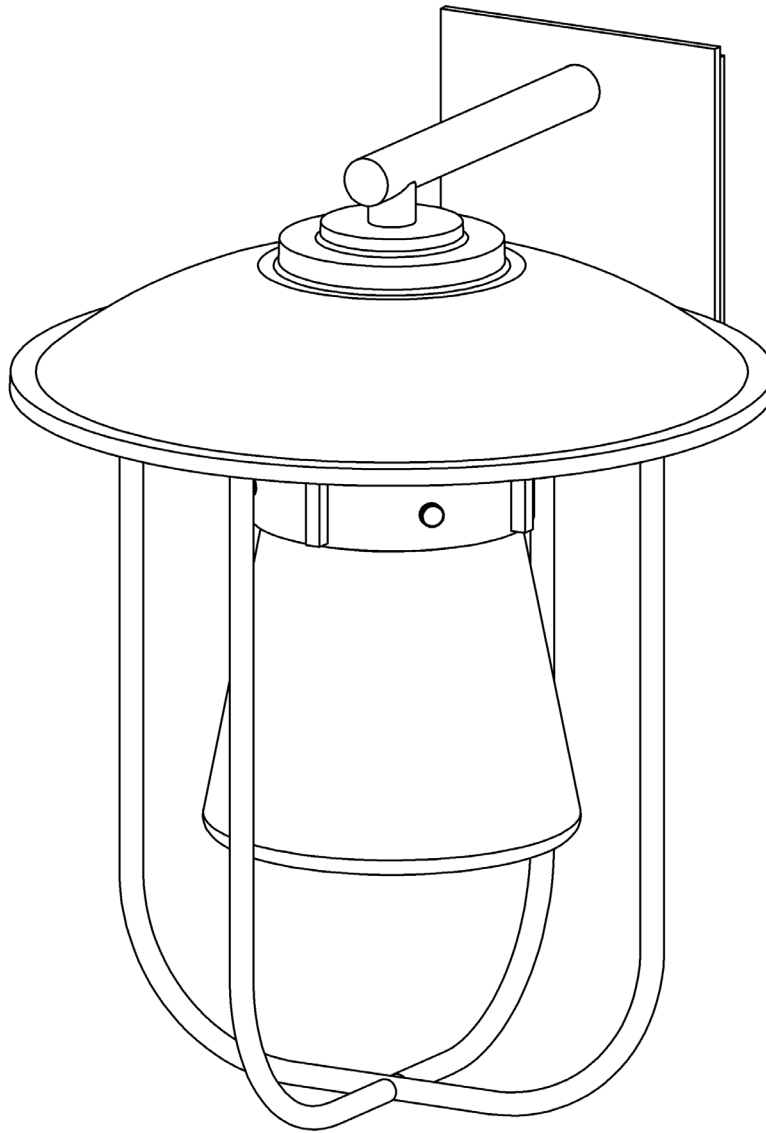


# ASSEMBLY & INSTALLATION INSTRUCTIONS

Erlenmeyer Outdoor Sconce Large 307720

**B393**



## Component Parts

- A     Fixture**
- B     Mounting Bracket**
- C     Ground Screw**
- D     Cupped Washer**
- E     Caulking Lip**
- F     #8 Screws (4)**
- G     Rubber Washers (2)**
- H     Socket**
- I     Glass**
- J     Ring**
- K     Thumb Screws (4)**



# ASSEMBLY & INSTALLATION INSTRUCTIONS

B393

Erlenmeyer Outdoor Sconce Large 307720

**CAUTION: FAILURE TO INSTALL THIS FIXTURE PROPERLY MAY RESULT IN SERIOUS PERSONAL INJURY OR DEATH AND PROPERTY DAMAGE.** We recommend installation by a licensed electrician. This product must be installed in accordance with applicable installation code(s), by a person familiar with the construction and operation of the product and the hazards involved.\*

Caution: Do not exceed maximum wattage noted on fixture. Use only recommended bulbs with fixture.

Please Note: After installation extra hardware and accessories are possible; our kits are used on multiple products.

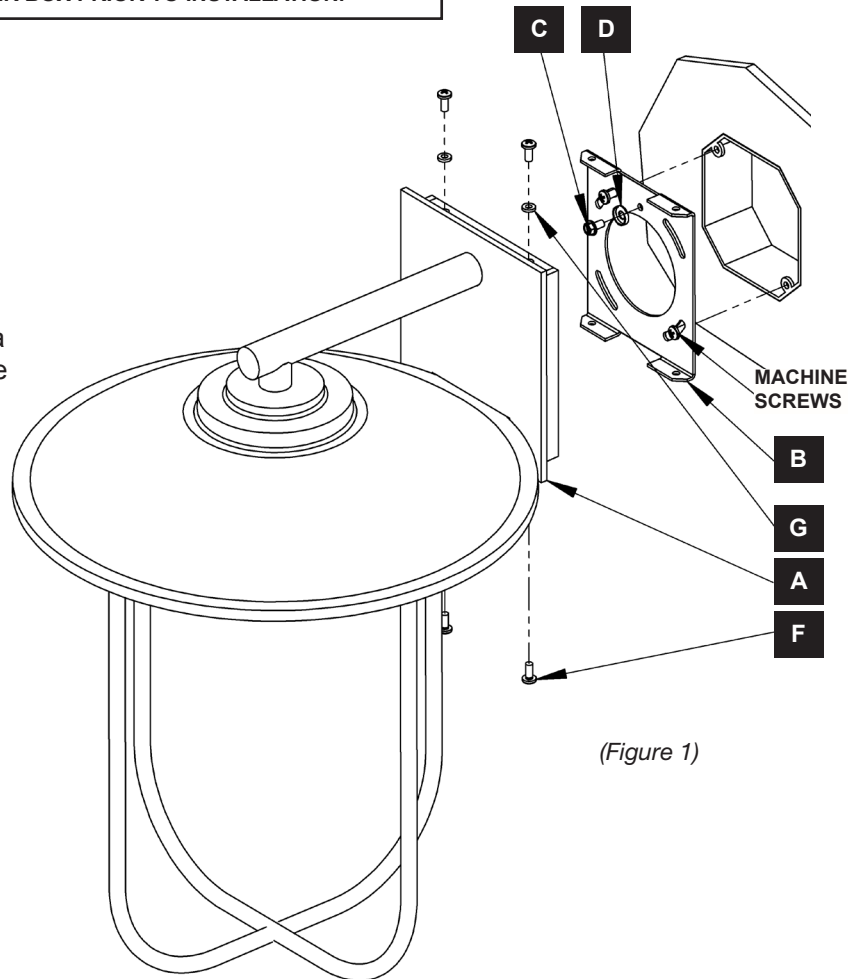
## To Attach to Wall (Figure 1 & 2)

**CAUTION: BE SURE POWER IS OFF AT THE MAIN BREAKER BOX PRIOR TO INSTALLATION.**

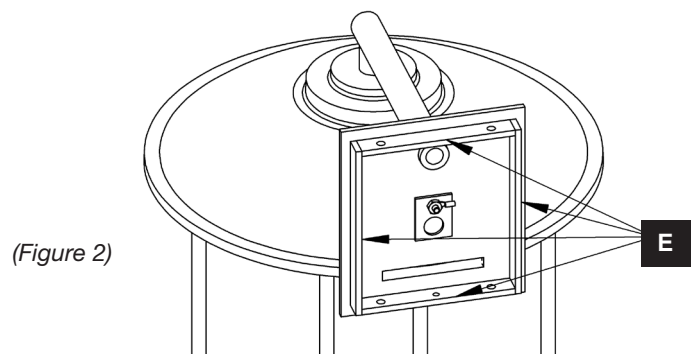
1. Carefully unpack the fixture (A) from the carton.
2. Using two machine screws (not provided) attach mounting bracket (B) to the electrical box.  
*Note: A new electric box comes with screws. When replacing a fixture, retain the existing screws for use with the new fixture.*
3. Using the green ground screw (C) and the cupped washer (D) found in the kit bag, secure a pigtail lead to the mounting bracket (B). Hold the fixture close to the mounting bracket and using suitable wire connectors (not provided), connect fixture wires to supply wire (white to white and black to black). Connect all ground wires (bare copper or green to bare copper or green).

**CAUTION: MAKE SURE WIRE CONNECTORS ARE TWISTED ON SECURELY, AND NO BARE WIRES ARE EXPOSED.**

4. Apply a generous bead of a suitable caulking material (not provided) to caulking lip (E) on the fixture. Caulk should be applied around the entire perimeter of the backplate (Figure 2).
5. Carefully tuck all wires behind fixture and inside the mounting bracket (B). Place fixture firmly onto bracket and fasten with two #8 screws (F) and rubber washers (G) on top.
6. Install the two remaining #8 screws (F) in bottom of fixture (A).
7. Follow steps on next page to complete installation.



(Figure 1)



(Figure 2)

## To Install Glass (Figure 2)

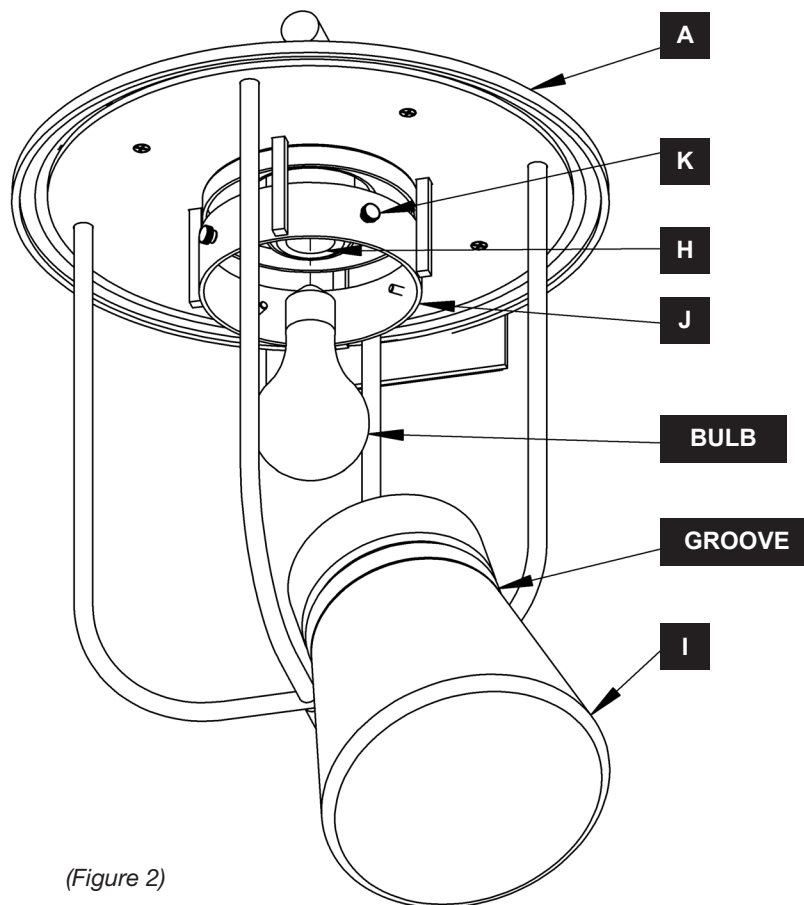
1. Unpack glass (I).
2. Install bulb (not included) into socket (H).
3. Tilt glass (I), slip through bars on fixture (A), over bulb and up into ring (J).
4. Align groove in glass (I) with thumb screws (K) in ring (J).

**Note:** It may be necessary to unthread thumb screws to allow glass to slide into ring. Thumb screws will not need to be completely removed.

5. Tighten thumb screws (K) evenly into groove to secure glass in fixture.

**Note:** Be sure not to overtighten as this could break glass.

6. Restore electricity at main breaker.



(Figure 2)

If you need further assistance, or find that you are missing any parts, please contact the dealer from which you purchased this product. We hope you enjoy your fixture!

**\* Hubbardton Forge will not be liable for injury or damage caused by improper installation, lamping or use of this fixture.**