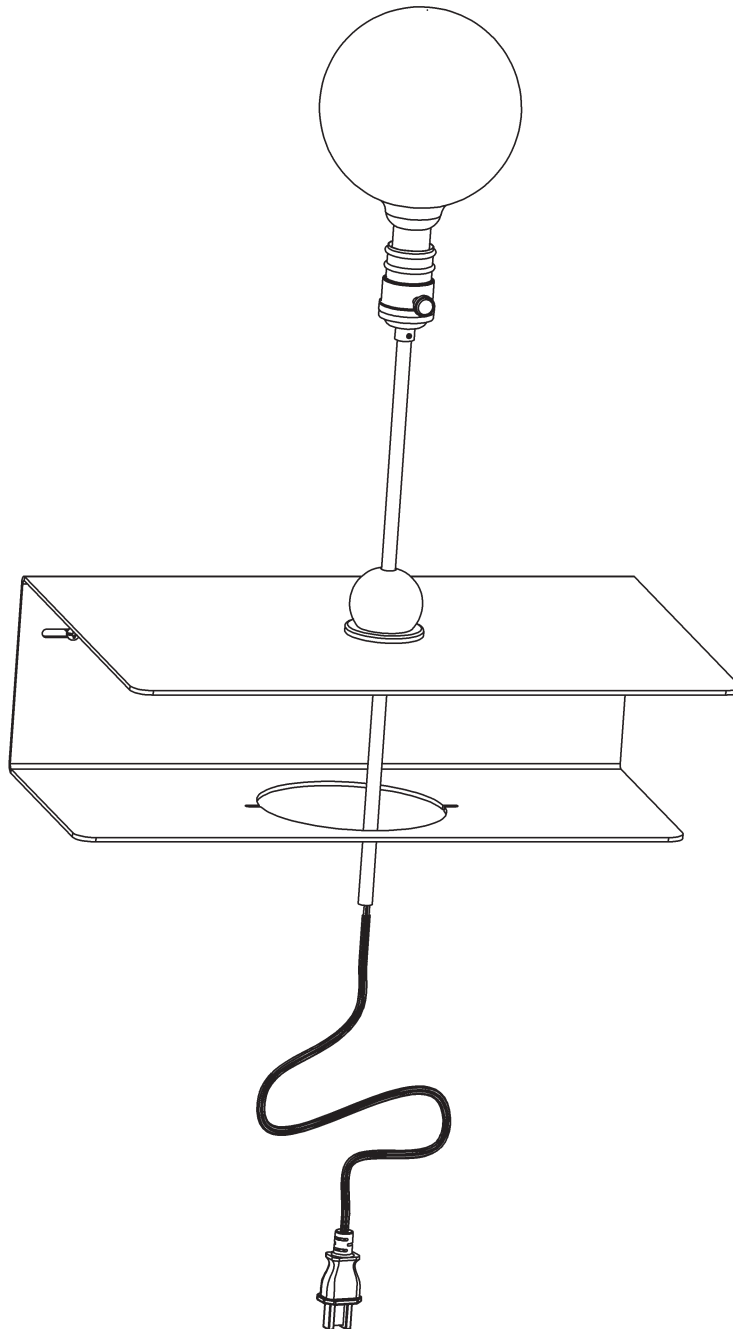


Assembly & Installation Instructions

Shelfie Pin-Up 289460

B377



Assembly & Installation Instructions

Shelfie Pin-Up 289460

B377

Component Parts

A	Shelf
B	Grommet
C	#10 Screws (2)
D	Cord
E	Socket
F	Ball



Assembly & Installation Instructions

Shelfie Pin-Up 289460

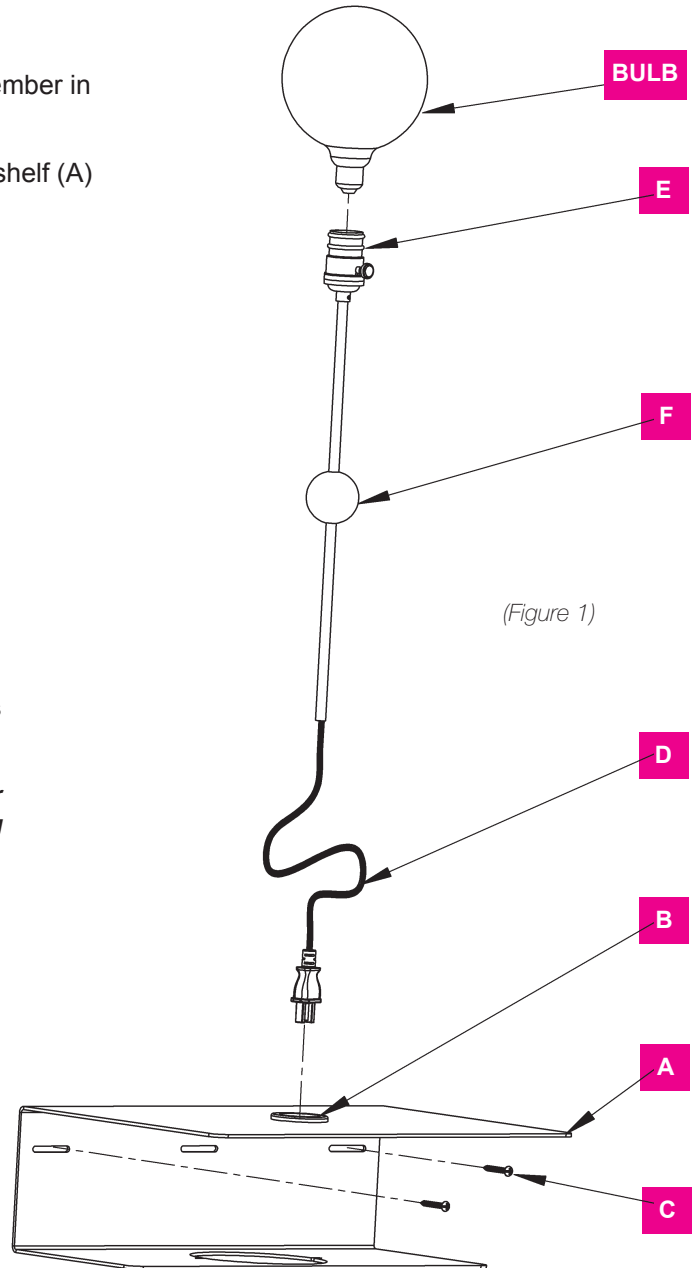
CAUTION: FAILURE TO INSTALL THIS FIXTURE PROPERLY MAY RESULT IN SERIOUS PERSONAL INJURY OR DEATH AND PROPERTY DAMAGE. We recommend installation by a licensed electrician. This product must be installed in accordance with applicable installation code(s), by a person familiar with the construction and operation of the product and the hazards involved.*

Caution: Do not exceed maximum wattage noted on fixture. Use only recommended bulbs with fixture.

Please Note: After installation extra hardware and accessories are possible; our kits are used on multiple products.

To Install Fixture (Figure 1)

1. Carefully unpack fixture from carton.
2. Using two #10 screws (C) attach shelf (A) to solid member in wall. Be sure to install shelf so that it is level.
3. Run cord (D) through grommet (B) and large hole in shelf (A) until ball (F) sits on grommet (B).
4. Install bulb (not included) into socket (E).



If you need further assistance, or find that you are missing any parts, please contact the dealer from which you purchased this product. We hope you enjoy your fixture!

* Vermont Modern / Hubbardton Forge will not be liable for injury or damage caused by improper installation, lamping or use of this fixture.

Yeah, you got this!

