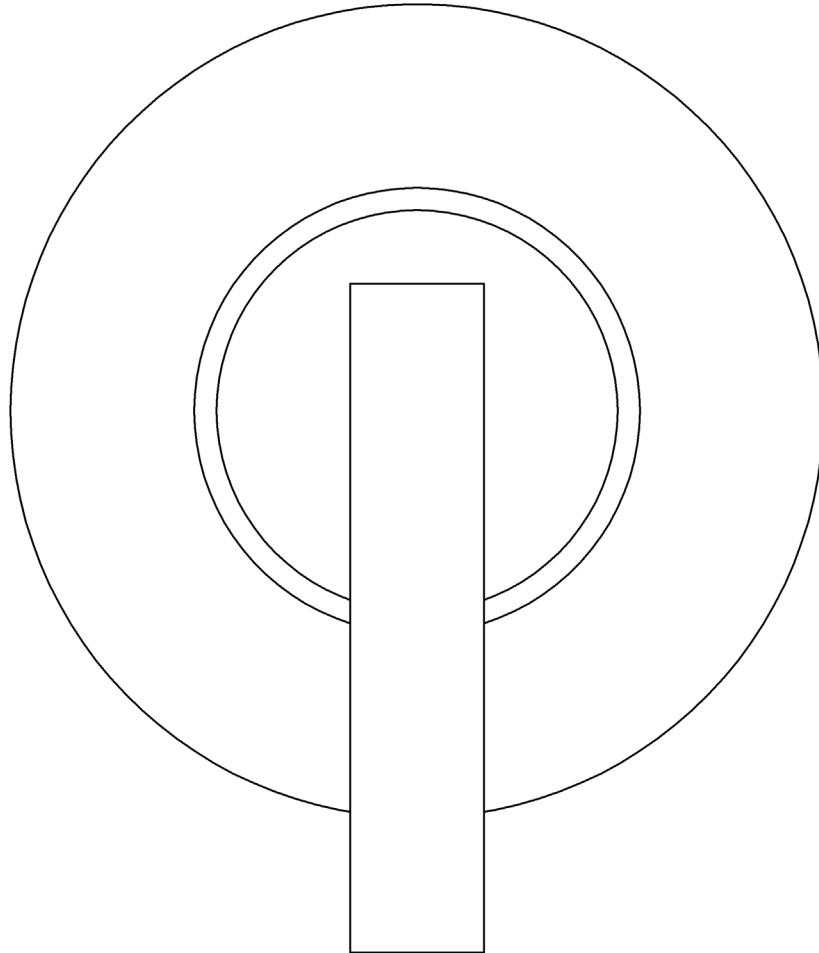




SYNCHRONICITY™  
*by Subhardton Forge®*

ASSEMBLY & INSTALLATION INSTRUCTIONS

## CONTENTS



## COMPONENT PARTS

A	Mounting bracket
B	Fixture
C	Cupped Washer
D	Ground Screw
E	#8 screws (4)
F	Thumb Screw (2)
G	Threaded Rod
H	Rubber Washer
I	Glass support tube
J	Bulb (not included)
K	Glass

**CAUTION: FAILURE TO INSTALL THIS FIXTURE PROPERLY MAY RESULT IN SERIOUS PERSONAL INJURY OR DEATH AND PROPERTY DAMAGE. We recommend installation by a licensed electrician. This product must be installed in accordance with applicable installation code(s), by a person familiar with the construction and operation of the product and the hazards involved.\***

**CAUTION:** Do not exceed maximum wattage noted on fixture. Use only recommended bulbs with fixture.

*Please Note: After installation extra hardware and accessories are possible due to our kits are used on multiple products and options.*

## TO INSTALL FIXTURE (Figure 1)

**CAUTION: BE SURE POWER IS OFF AT THE MAIN BREAKER BOX PRIOR TO INSTALLATION.**

1. Carefully unpack the fixture from the carton.
2. Locate the mounting bracket (A). Thread the wires in the electrical box through the hole in the mounting bracket (A) while moving the mounting bracket (A) into position. Using two machine screws (not provided) fasten mounting bracket (A) to the electric box.

**Note: A new electric box comes with screws. When replacing a fixture, retain the existing screws for use with the new fixture.**

3. Locate the thumb screws (F), threaded rod (G) and rubber washer (H). These parts are shipped to you assembled. Unscrew both thumb screws (F) from the threaded rod (G) and separate the rubber washer (H) and threaded rod (G).
4. Locate the glass (K). Screw one thumbscrew (F) back onto the threaded rod (G). Slide glass (K) onto the threaded rod (G) with the thumb screw (F) on the untextured side of the glass (K).
5. Slide rubber washer (H) on to the threaded rod (G) so that it comes in contact with the textured side of the glass (K).
6. Slide threaded rod (G) through the glass support tube (I) on the fixture (B). Thread second thumb screw (F) on to threaded rod (G) securing glass (K) in place.
7. Attach a pigtail lead to the mounting bracket (A) using the provided ground screw (D) and cupped washer (C), found in kit bag.
8. Hold the fixture (B) close to the mounting bracket (A) and using suitable wire connectors (not provided), connect fixture wires to supply wires (white to white and black to black). Connect all ground wires (bare copper or green to bare copper or green) together.

**CAUTION: MAKE SURE WIRE CONNECTORS ARE TWISTED ON SECURELY, AND NO BARE WIRES ARE EXPOSED.**

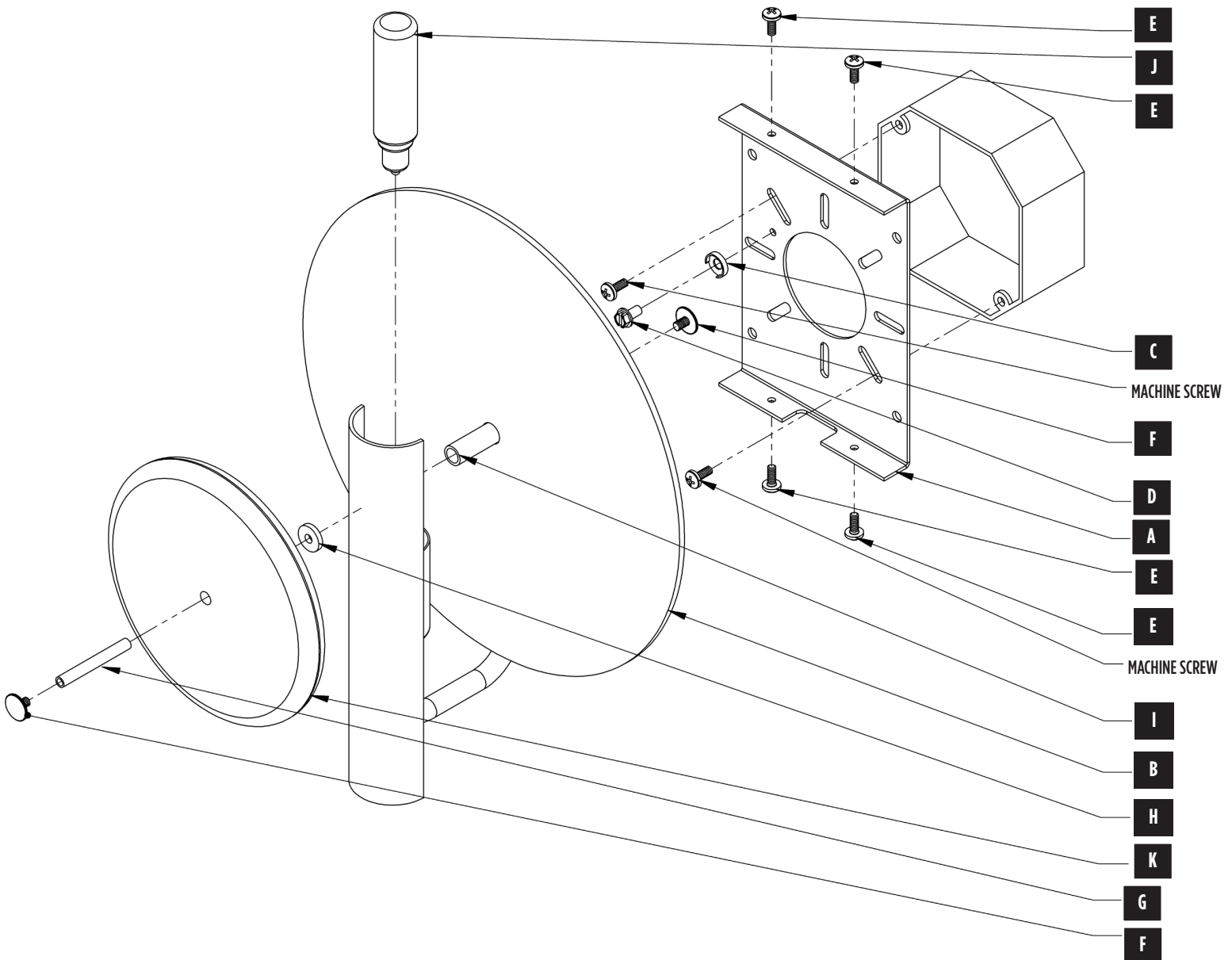
9. Carefully tuck all wires behind the fixture (B) and inside the mounting bracket (A). Place the fixture (B) firmly onto mounting bracket (A) and fasten with two #8 screws (E) on top.
10. Install the two remaining #8 screws (E) in bottom of fixture, attaching to mounting bracket (A).
11. Install bulb (J), not included.
12. Restore electricity at main breaker.

**CAUTION: FAILURE TO INSTALL THIS FIXTURE PROPERLY MAY RESULT IN SERIOUS PERSONAL INJURY OR DEATH AND PROPERTY DAMAGE. We recommend installation by a licensed electrician. This product must be installed in accordance with applicable installation code(s), by a person familiar with the construction and operation of the product and the hazards involved.\***

**CAUTION:** Do not exceed maximum wattage noted on fixture. Use only recommended bulbs with fixture.

*Please Note: After installation extra hardware and accessories are possible due to our kits are used on multiple products and options.*

## TO INSTALL FIXTURE (Figure 1)



(Figure 1)

CONTINUED