

Assembly & Installation Instructions

B364

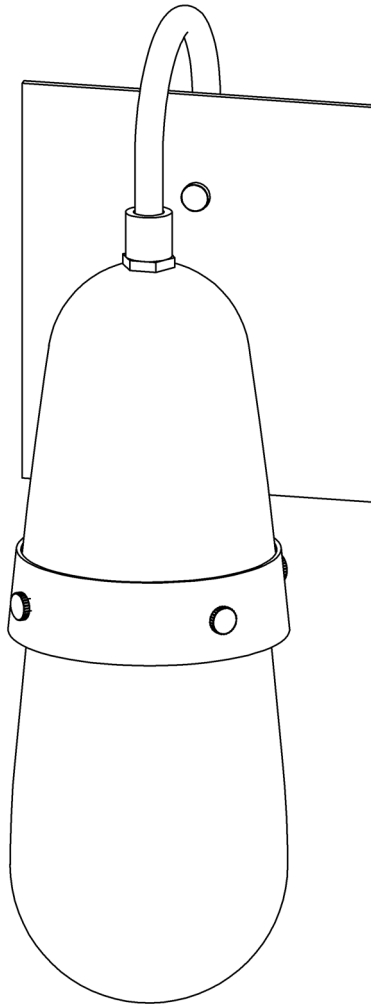
Fizz Outdoor Sconce - 302750

Page 1 of 4

CAUTION: FAILURE TO INSTALL THIS FIXTURE PROPERLY MAY RESULT IN SERIOUS PERSONAL INJURY OR DEATH AND PROPERTY DAMAGE. We recommend installation by a licensed electrician. This product must be installed in accordance with applicable installation code(s), by a person familiar with the construction and operation of the product and the hazards involved.*

Caution: Do not exceed maximum wattage noted on fixture. Use only recommended bulbs with fixture.

Please Note: After installation extra hardware and accessories are possible due to our kits are used on multiple products and options.



Assembly & Installation Instructions

B364

Fizz Outdoor Sconce - 302750

Page 2 of 4

Component Parts

A	Fixture
B	Crossbar
C	Threaded Studs (2)
D	Ground Screw
E	Caulking Lip
F	Knurled Balls (2)
G	Socket
H	Fixture Cup
I	Glass
J	Knurled Screws (4)



HUBBARDTON FORGE.

MODERN AMERICAN BLACKSMITHS | FINE, HAND CRAFTED LIGHTING
CASTLETON, VERMONT USA | HUBBARDTONFORGE.COM

37230

Assembly & Installation Instructions

B364

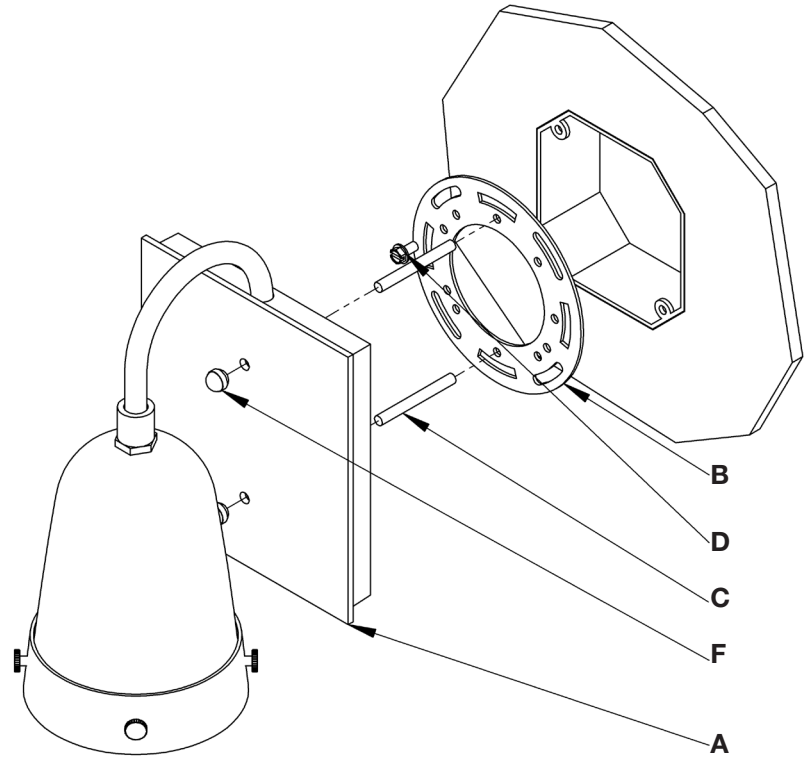
Fizz Outdoor Sconce - 302750

Page 3 of 4

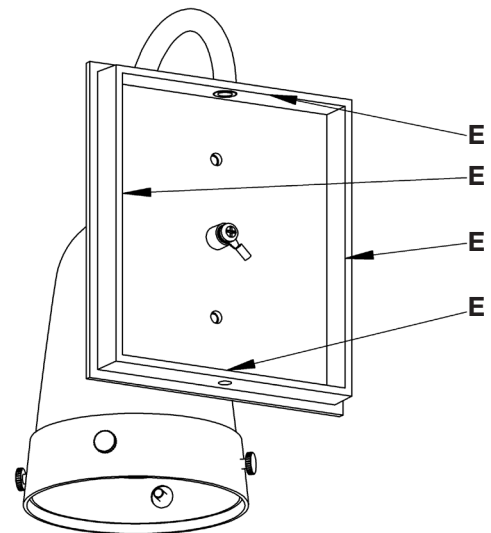
To Install Fixture (Figures 1 & 2)

CAUTION: BE SURE POWER IS OFF AT THE MAIN BREAKER BOX PRIOR TO INSTALLATION.

1. Carefully unpack the fixture from the carton.
2. Using two machine screws (not provided) fasten the crossbar (B) to the electric box.
Note: A new electric box comes with screws. When replacing an existing fixture, retain screws for use with the new fixture.
3. Thread studs (C) into the appropriate holes in the crossbar (B) that line up with holes in the fixture (A).
4. Hold fixture (A) close to wall. Using suitable wire connectors (not provided) connect fixture wires to supply wires (white to white and black to black). Attach a pigtail lead to the mounting bracket (B) using the ground screw (D). Connect all ground wires (bare copper or green to bare copper or green).
Caution: Make sure wire connectors are twisted on securely, and no bare wires are exposed.
5. Apply a generous bead of a suitable caulking material (not provided) to caulking lip (E) on the fixture. Caulk should be applied around the entire perimeter of the backplate (Figure 2).
6. Slide fixture (A) over threaded studs (C) and push firmly to wall, making sure that no wires are pinched between fixture back and wall. Fasten with knurled balls (F). Be sure threaded studs (C) are fully seated in the knurled balls (F).
7. See instructions on next page to install glass.



(Figure 1)



(Figure 2)



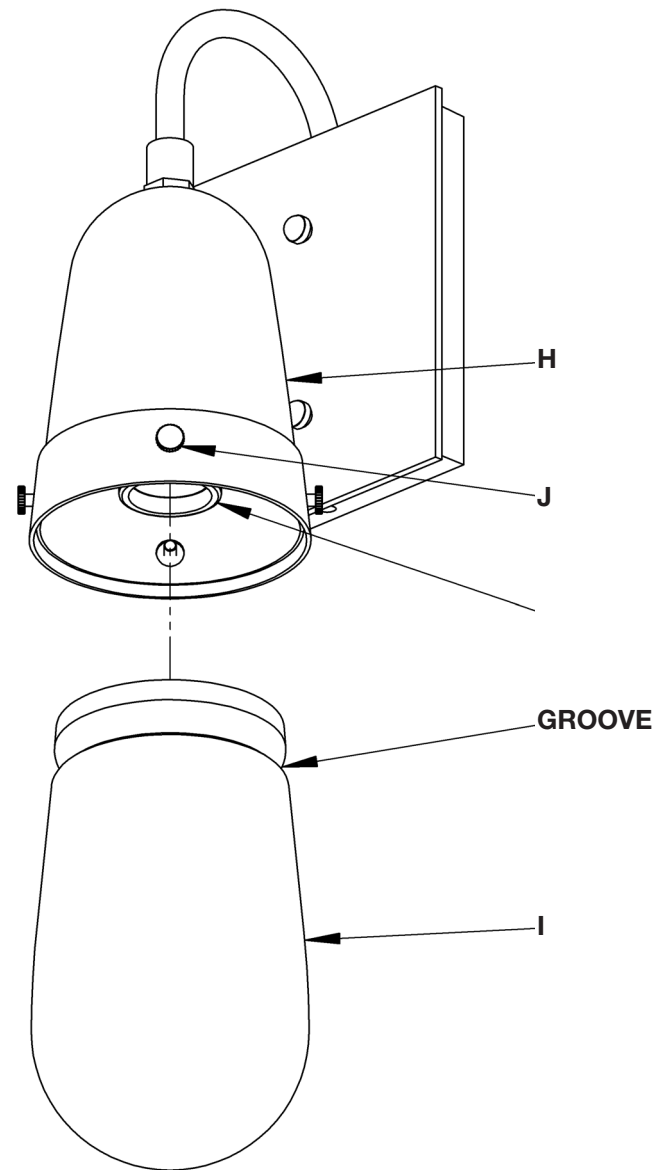
HUBBARDTON FORGE.

MODERN AMERICAN BLACKSMITHS | FINE, HAND CRAFTED LIGHTING
CASTLETON, VERMONT USA | HUBBARDTONFORGE.COM

37230

Install Glass (Figure 3)

1. Install bulb (not included) into socket (G).
2. Slide glass (I) over bulb and socket (G) and up into fixture cup (H).
Note: It might be necessary to unthread knurled screws (J) to allow glass to slide into fixture cup (H).
Screws (J) will not need to be completely removed.
3. Align groove in glass (I) with knurled screws (J).
4. Tighten knurled screws (J) evenly to secure glass (I).
Be sure not to overtighten.
5. Restore electricity at main breaker.



(Figure 3)

*If you need further assistance, or find that you are missing any parts, please contact the dealer from which you purchased this product.
We hope you enjoy your fixture!*

***Hubbardton Forge will not be liable for injury or damage caused by improper installation, lamping or use of this fixture.**