

Assembly & Installation Instructions

B356

For Sconces: Modern Prairie 207925D & Glide 207930D

Page 1 of 2

CAUTION: FAILURE TO INSTALL THIS FIXTURE PROPERLY MAY RESULT IN SERIOUS PERSONAL INJURY OR DEATH AND PROPERTY DAMAGE. We recommend installation by a licensed electrician.

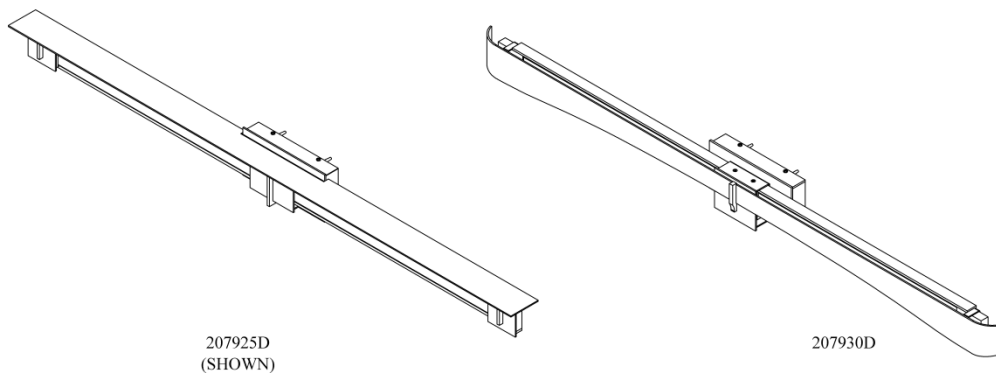
This product must be installed in accordance with applicable installation code(s), by a person familiar with the construction and operation of the product and the hazards involved.*

Caution: Do not exceed maximum wattage noted on fixture. Use only recommended bulbs with fixture.

Please Note: This fixture is designed to be mounted on a standard wall surface and may not be suitable for all applications. If installing in a non-wood frame application, we recommend consulting a qualified builder or electrician.

Please Note: After installation, extra hardware and accessories may be left due to kits being used on multiple products.

These instructions are to be used for the following fixtures:



To Prepare & Install Fixture (Figure 1 on next page)

Component Parts

- A Fixture
- B Mounting Bracket
- C Anchors (4)
- D #10 Screws (4)
- E Ground Screw
- F Cupped Washer
- G #8 Black Screws (4)
- H Safety Cable
- I Safety Cable Screw

Caution: Be sure power is off at the main breaker box prior to installation.

1. Carefully unpack the fixture from the carton.
2. Place the mounting bracket (B) over the electrical box being sure to hold it plumb and level. Line up holes in mounting bracket with holes in electrical box. With a pencil, mark the location of all mounting holes in the mounting bracket (B) on the wall behind. Set bracket aside.
3. Drill 1/4" holes in the locations marked on the wall. For holes using anchors, place the tapered end of the anchors (C) into the holes and gently tap them flush to the wall using a light weight hammer.
4. Thread the wires in the electrical box through the hole in the mounting plate (B) while moving the plate into position. Using the 1" #10 screws (D), screw the mounting bracket securely to the wall. Be careful not to over-tighten or strip the anchors.
5. Using two machine screws (not provided) fasten the mounting bracket (B) to the electric box.

Note: A new electric box comes with screws. When replacing an existing fixture, retain screws for use with the new fixture.

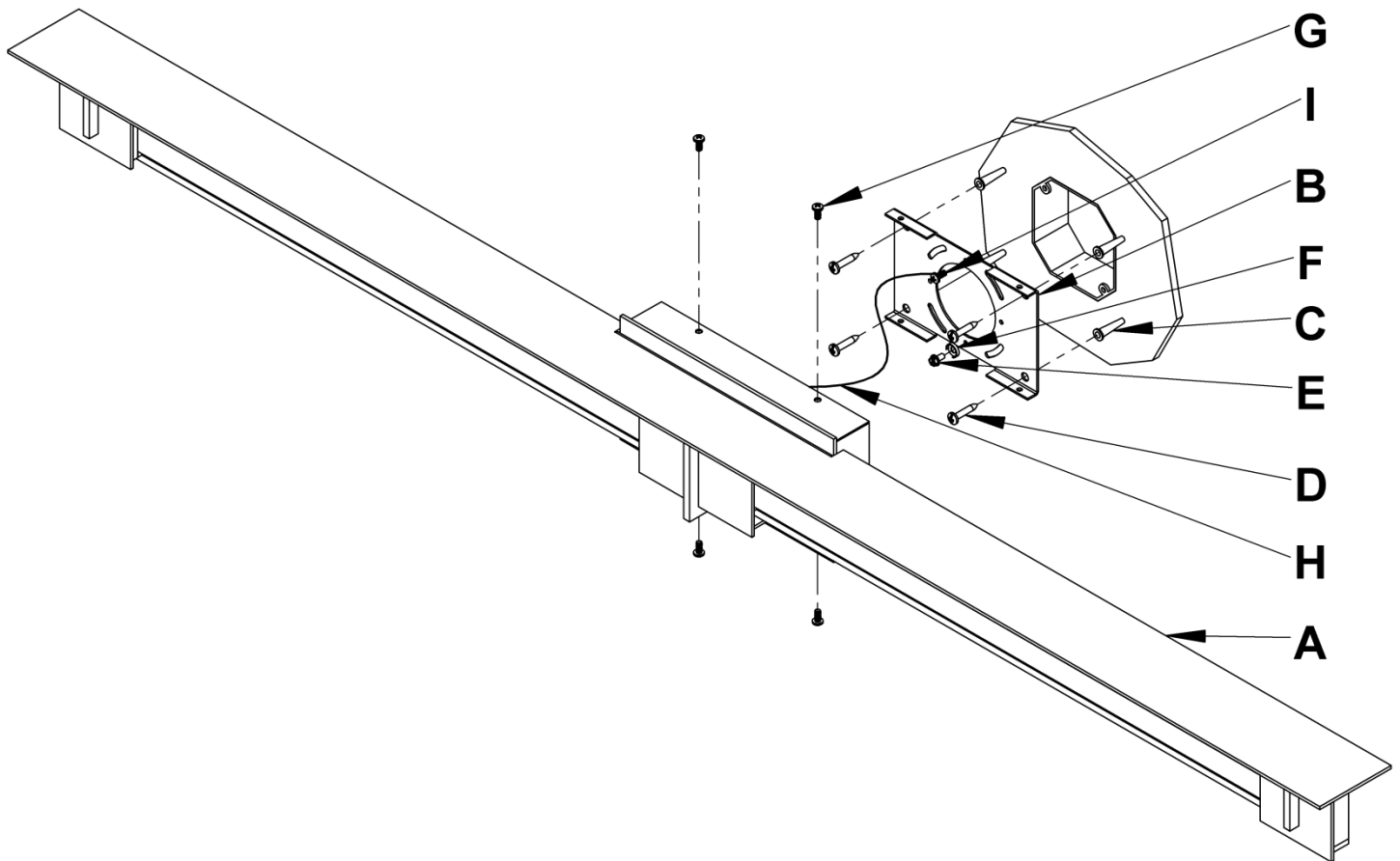
Assembly & Installation Instructions

For Sconces: Modern Prairie 207925D & Glide 207930D

B356

Page 2 of 2
(continued)

6. Raise fixture (A) close to wall and attach safety cable (H) using safety cable screw (I) that is shipped in the kit bag.
Note: Safety cable is used to temporarily suspend canopy while wiring connections are made
7. Using suitable wire connectors (not provided) connect fixture wires to supply wires (white to white and black to black). Attach cupped washer (F) and ground screw (E) to mounting plate (B) and run a pigtail lead from the ground screw (E) to the electrical box. Connect all ground wires (bare copper or green to bare copper or green).
Caution: Make sure wire connectors are twisted on securely, and no bare wires are exposed.
8. Carefully tuck all wires behind the fixture (A) and inside the mounting bracket (B). Place the fixture firmly onto mounting bracket (B) and fasten with #8 screws (G) on top and bottom of fixture (A).
9. Restore electricity at main breaker.



(Figure 1)

If you need further assistance, or find that you are missing any parts, please contact the dealer from which you purchased this product. We hope you enjoy your fixture!

* Hubbardton Forge will not be liable for injury or damage caused by improper installation, lamping or use of this fixture.

HUBBARDTON FORGE

Hand-Forged, Vermont-Made Lighting and Accessories
154 Route 30 South, Castleton, Vermont 05735

34633