

# Glass Installation Instructions

**B33**

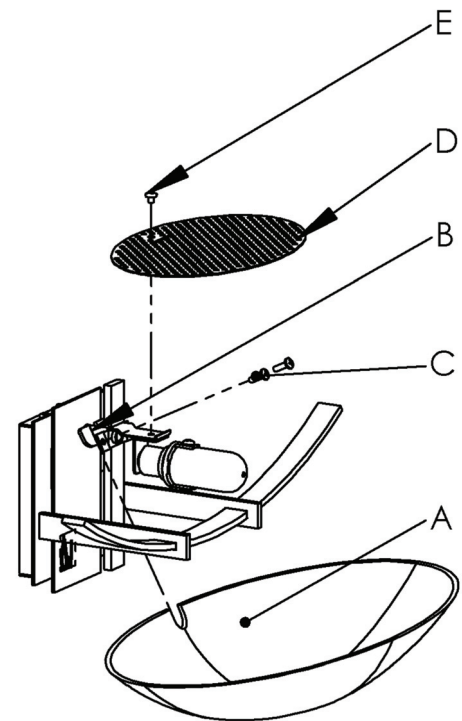
Please refer to fixture assembly and installation instructions prior to glass installation.

## Component Parts

- A Glass
- B Glass Stop
- C Nylon Screw
- D Diffuser
- E Screw

## To Install Glass

1. Slide Glass (A) into fixture so that the notch in the glass fit's around the socket stem and the edge of the glass is positioned between the glass stop (B) and the screw bracket.
2. Secure glass by tightening the two Nylon Screws (C) against glass.
3. Install diffuser (D) onto bracket, securing with Screw (E).



*If you need further assistance, or find that you are missing any parts, please contact the dealer from which you purchased this product. We hope you enjoy your fixture!*