

Installation Instructions

B306

Double Axis LED Outdoor Sconce Large 306425D

Page 1 of 4

CAUTION: FAILURE TO INSTALL THIS FIXTURE PROPERLY MAY RESULT IN SERIOUS PERSONAL INJURY OR DEATH AND PROPERTY DAMAGE. We recommend installation by a licensed electrician. This product must be installed in accordance with applicable installation code(s), by a person familiar with the construction and operation of the product and the hazards involved.*

Caution: Do not exceed maximum wattage noted on fixture. Use only recommended bulbs with fixture.

Please Note: This fixture is designed to be mounted on a standard wall surface and may not be suitable for all applications. If installing in a non-wood frame application, we recommend consulting a qualified builder or electrician. Fixture should be mounted four feet above grade. After installation extra hardware and accessories are possible; our kits are used on multiple products and options.

To Install Fixture (Figures 1 - 3)

Component Parts

A Fixture Front	H Ground Screw
B Slotted Screw	I Cupped Washer
C Fixture Back	J Driver
D Top Screw	K Gasket
E Mounting Bracket	L Anchors (8)
F #8 Screw (4)	M #10 Screws (8)
G #8 Countersunk Screw (2)	N Caulking Lip
	O Rubber Washers (3)

CAUTION: BE SURE POWER IS OFF AT THE MAIN BREAKER BOX PRIOR TO INSTALLATION.

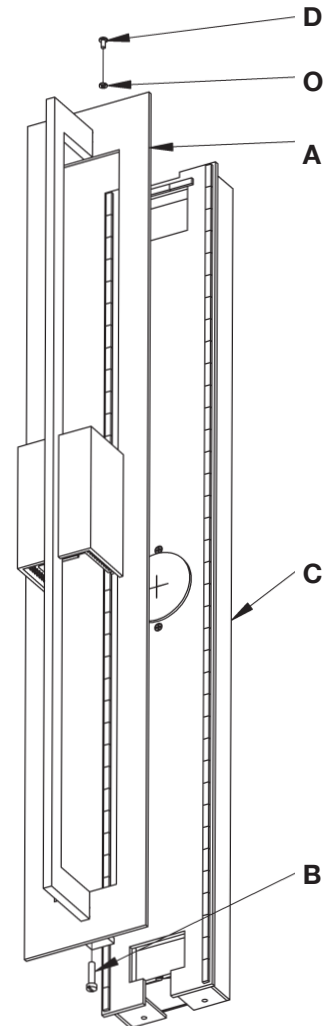
1. Carefully unpack the fixture from the carton.
2. Loosen the slotted screw (B) in the bottom of the fixture until the fixture front (A) comes loose from the fixture back (C). Remove top screw (D) from top of fixture back (C). Remove the fixture front (A) from the fixture back (C) (Figure 1).

Note: Fixture front (A) and screws (B&D) ship installed. Retain for later use.

3. Center the mounting bracket (E) over the electrical box being sure to hold it plum and level. With a pencil, mark the location of all mounting holes in the wall mount bracket on the wall behind.

Important: Wall mount bracket must be secured to a solidly mounted electrical box and/or a framing member in at least two locations. Do not depend on drywall anchors alone to support this fixture. If in doubt, contact a qualified electrician.

Put the mounting bracket down and drill 1/4" diameter holes in the locations marked on the wall. For holes using anchors, place the tapered end of the anchors (L) into the holes and gently tap them flush to the wall using a light weight hammer.



(Figure 1)

(Continued)

If you need further assistance, or find that you are missing any parts, please contact the dealer from which you purchased this product. We hope you enjoy your fixture!

* Hubbardton Forge will not be liable for injury or damage caused by improper installation, lamping or use of this fixture.

Installation Instructions

B306

Double Axis LED Outdoor Sconce Large 306425D

Page 2 of 4

CAUTION: FAILURE TO INSTALL THIS FIXTURE PROPERLY MAY RESULT IN SERIOUS PERSONAL INJURY OR DEATH AND PROPERTY DAMAGE. We recommend installation by a licensed electrician. This product must be installed in accordance with applicable installation code(s), by a person familiar with the construction and operation of the product and the hazards involved.*

Caution: Do not exceed maximum wattage noted on fixture. Use only recommended bulbs with fixture.

To Install Fixture (Figures 1 -3)

(Continued)

4. Thread the wires in the electrical box through the center hole in the wall mount bracket while moving the bracket into position. Using the #10 screws (M), screw the bracket securely to the wall. Be careful not to over-tighten or strip the anchors.

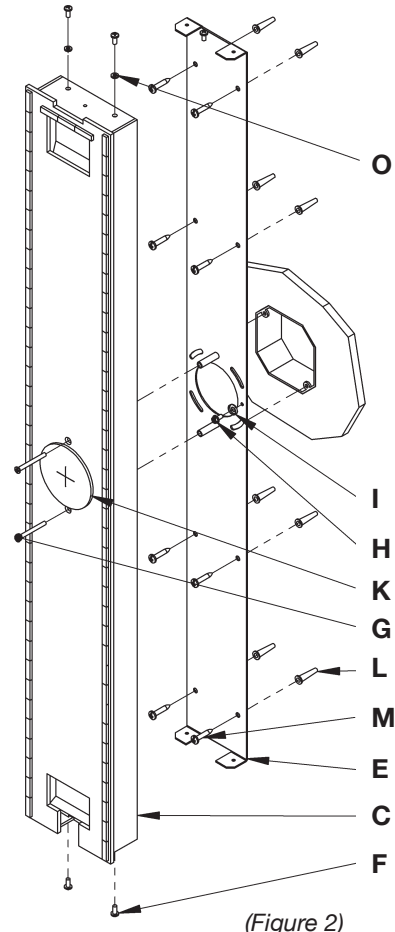
5. Using two machine screws (not provided) attach mounting bracket (E) to the electric box using inside oval holes to orient fixture.

Note: A new electric box comes with screws. When replacing a fixture, retain the screws for use with the new fixture.

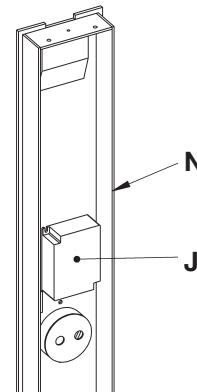
6. Using suitable wire connectors (not provided) connect the driver (J) wire with the white lead to the white supply wire. Connect the driver wire with the black lead to the black supply wire. Run a pigtail lead from crossbar ground screw (H) and cupped washer (I) to the junction box and connect all ground wires (bare copper or green to bare copper or green).

CAUTION: MAKE SURE WIRE CONNECTORS ARE TWISTED ON SECURELY AND NO BARE WIRES ARE EXPOSED.

7. Hold the fixture back (C) close to the mounting bracket (E). Push the red and black driver (J) wires through the gasket (K) on the fixture back (C).
8. Apply a generous bead of a suitable caulking material to caulking lip (N) on the fixture. (Figure 3)
9. Carefully tuck all wires behind the fixture back (C) and inside the wall mount bracket and place the fixture firmly onto bracket (E). Fasten with #8 black screws (F) and rubber washers (O) on top and #8 black screws (F) bottom.
10. Install two countersunk screws (G) through the fixture back (C) and into the mounting bracket (E).
11. Continue with installation instructions following to assemble fixture front and glass.



(Figure 2)



(Figure 3)

(Continued)

If you need further assistance, or find that you are missing any parts, please contact the dealer from which you purchased this product. We hope you enjoy your fixture!

*Hubbardton Forge will not be liable for injury or damage caused by improper installation, lamping or use of this fixture.

Installation Instructions

B306

Double Axis LED Outdoor Sconce Large 306425D

Page 3 of 4

CAUTION: FAILURE TO INSTALL THIS FIXTURE PROPERLY MAY RESULT IN SERIOUS PERSONAL INJURY OR DEATH AND PROPERTY DAMAGE. We recommend installation by a licensed electrician. This product must be installed in accordance with applicable installation code(s), by a person familiar with the construction and operation of the product and the hazards involved.*

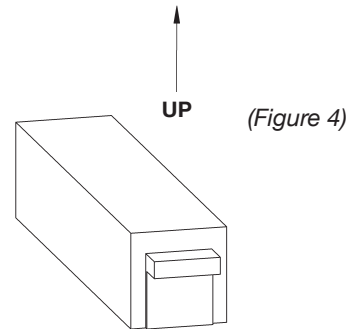
Caution: Do not exceed maximum wattage noted on fixture. Use only recommended bulbs with fixture.

To Install Fixture Front and Glass (Figures 4 - 7)

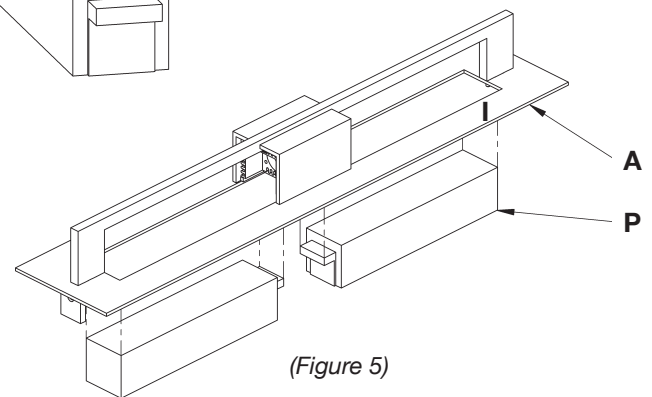
Component Parts

- A Fixture Front
- P Glass (2)
- Q Hex Nut (2)
- R Threaded Stud (2)
- S Glass Bracket (2)
- T Spring (2)

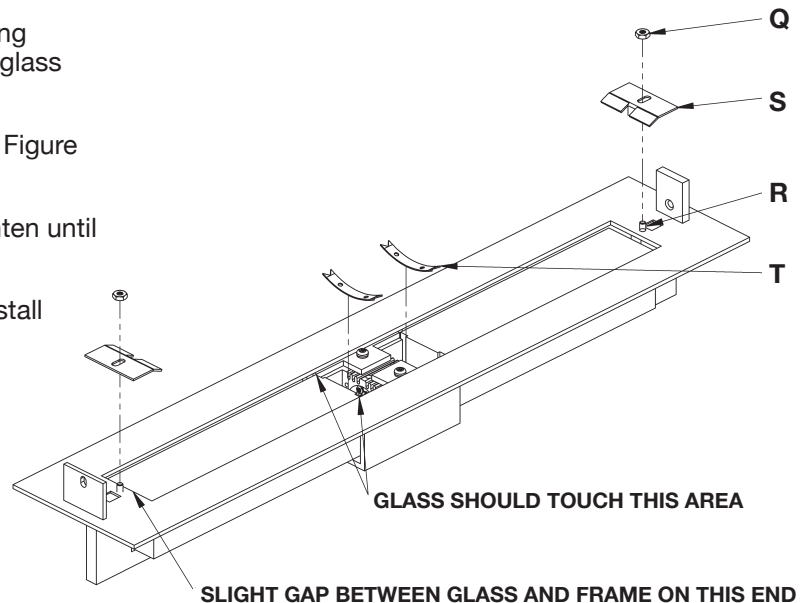
1. Place glass (P) on flat clean surface oriented as shown in Figure 4.
2. Place fixture front (A) over glass (P) (Figure 5).
3. Holding fixture front (A) and glass (P) securely rotate them both over so fixture front (A) rests on flat surface.
4. Remove hex nuts (Q) and glass brackets (S) from threaded studs (R).
5. Slide glass (P) towards the center of the fixture.
6. Install spring (T) at the top of the glass (P). Push spring inside of fixture until it rests against the top ledge of glass (P). (Figure 6).
7. Slip glass brackets (S) on to threaded studs (R). See Figure 7 for orientation.
8. Thread hex nuts (Q) onto threaded studs (R) and tighten until snug. Be careful not to over tighten.
9. Continue with installation instructions following to install fixture front.



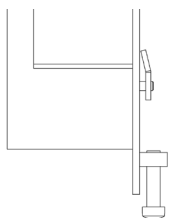
(Figure 4)



(Figure 5)



(Figure 6)



(Figure 7)

(Continued)

If you need further assistance, or find that you are missing any parts, please contact the dealer from which you purchased this product. We hope you enjoy your fixture!

* Hubbardton Forge will not be liable for injury or damage caused by improper installation, lamping or use of this fixture.

Installation Instructions

B306

Double Axis LED Outdoor Sconce Large 306425D

Page 4 of 4

CAUTION: FAILURE TO INSTALL THIS FIXTURE PROPERLY MAY RESULT IN SERIOUS PERSONAL INJURY OR DEATH AND PROPERTY DAMAGE. We recommend installation by a licensed electrician. This product must be installed in accordance with applicable installation code(s), by a person familiar with the construction and operation of the product and the hazards involved.*

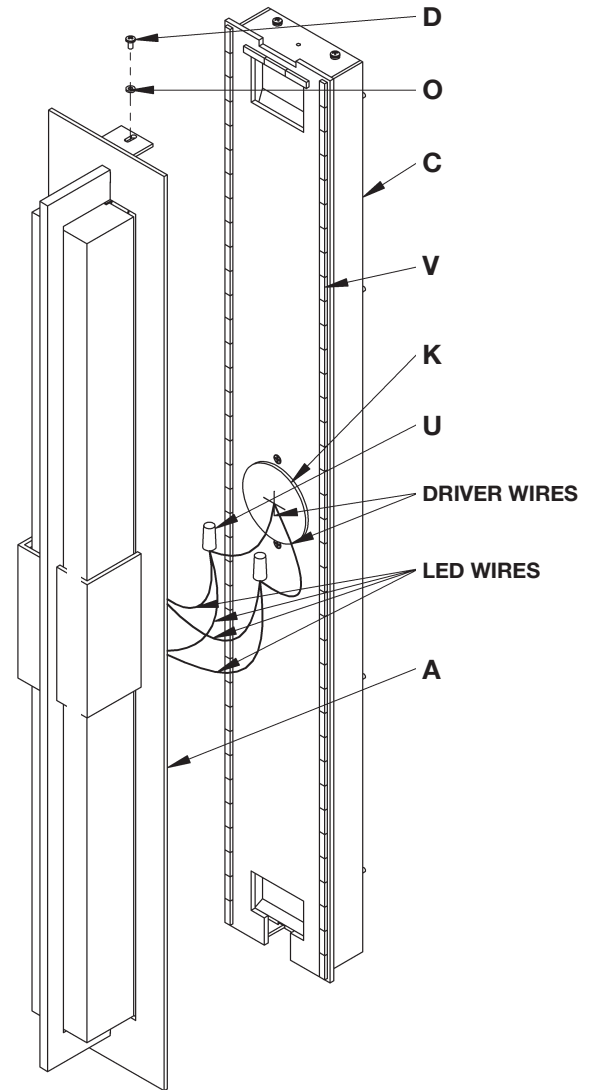
Caution: Do not exceed maximum wattage noted on fixture. Use only recommended bulbs with fixture.

To Install Fixture Front (Figures 8 & 9)

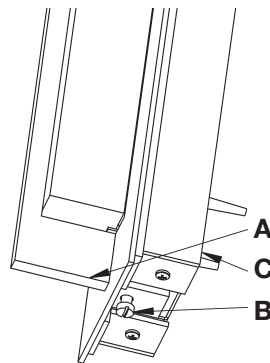
Component Parts

- A Fixture Front
- B Slotted Screw
- C Fixture Back
- D Top Screw
- K Gasket
- O Rubber Washer
- U Wire Nuts (2)
- V Tape

1. Hold fixture front (A) close to fixture back (C) and using a wire nut (U) provided, connect the red driver wire with the 2 red LED wires. Using the 2nd wire nut (U) provided, connect the black driver wire to the 2 black LED wires. Twist wire nuts (U) to secure wires. (Figure 8)
2. Gently push wire nuts (U) back through slits in the gasket (K) on the fixture back (C).
3. Slip fixture front (A) onto fixture back (C). Gently press fixture front (A) onto fixture back (C) to slightly compress tape (V).
4. Thread top screw (D) and rubber washer (O) into top of fixture back (C).
5. Tighten slotted screw (B) to lock fixture front (A) in place. Be careful not to over tighten (Figure 9).
6. Restore electricity at the main breaker.



(Figure 8)



(Figure 9)

If you need further assistance, or find that you are missing any parts, please contact the dealer from which you purchased this product. We hope you enjoy your fixture!

*Hubbardton Forge will not be liable for injury or damage caused by improper installation, lamping or use of this fixture.