

Assembly & Installation Instructions

B284

Bento Sconce 205955F

Page 1 of 3

CAUTION: FAILURE TO INSTALL THIS FIXTURE PROPERLY MAY RESULT IN SERIOUS PERSONAL INJURY OR DEATH AND PROPERTY DAMAGE. We recommend installation by a licensed electrician.

This product must be installed in accordance with applicable installation code(s), by a person familiar with the construction and operation of the product and the hazards involved.*

Caution: Do not exceed maximum wattage noted on fixture. Use only recommended bulbs with fixture.

Please Note: This fixture is designed to be mounted on a standard wall surface and may not be suitable for all applications. If installing in a non-wood frame application, we recommend consulting a qualified builder or electrician.

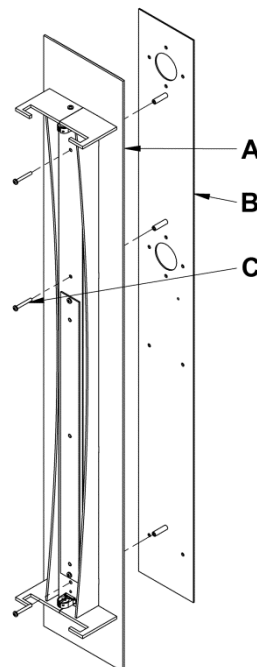
Prepare to Install (Figure 1)

Component Parts

- A Fixture
- B Wall Mounting Bracket
- C 8-32 x 1 1/4" Screws (3)

Caution: Be sure power is off at the main breaker box prior to installation.

1. Carefully unpack the fixture from the carton.
2. Remove three screws (C) from front of fixture (A) to release wall mounting bracket (B).
3. Place fixture (A) and screws (C) somewhere safe for later use.



(Figure 1)

Install Wall Mounting Bracket (Figure 2)

Component Parts

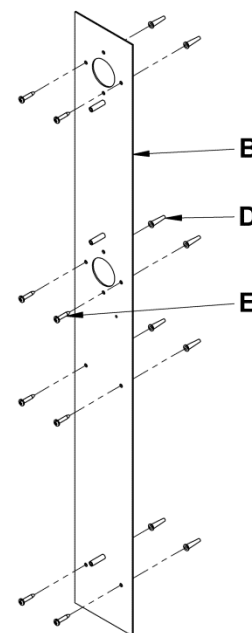
- B Wall Mounting Bracket
- D Anchors (8)
- E #10 Screws (8)

1. Place the wall mounting bracket (B) over the electrical box using one of the holes provided, being sure to hold it plum and level. With a pencil, mark the location of all mounting holes in the wall mount bracket on the wall behind.

IMPORTANT: Wall mounting bracket must be secured to a solid framing member in at least four locations. Do not depend on drywall anchors alone to support this fixture. If in doubt, contact a qualified electrician.

Set aside the wall mounting bracket and drill 1/4" holes in the center locations marked on the wall. For holes using anchors, place the tapered end of the anchors (D) into the holes and gently tap them flush to the wall using a lightweight hammer.

2. Thread the wires in the electrical box through the hole in the wall mounting bracket (B) while moving the bracket into position. Using the 1" #10 screws (E), screw the bracket securely to the wall. Be careful not to over-tighten or strip the anchors.



(Figure 2)

(continued)

Assembly & Installation Instructions

B284

Bento Sconce 205955F

Page 2 of 3

Install Fixture (Figure 3)

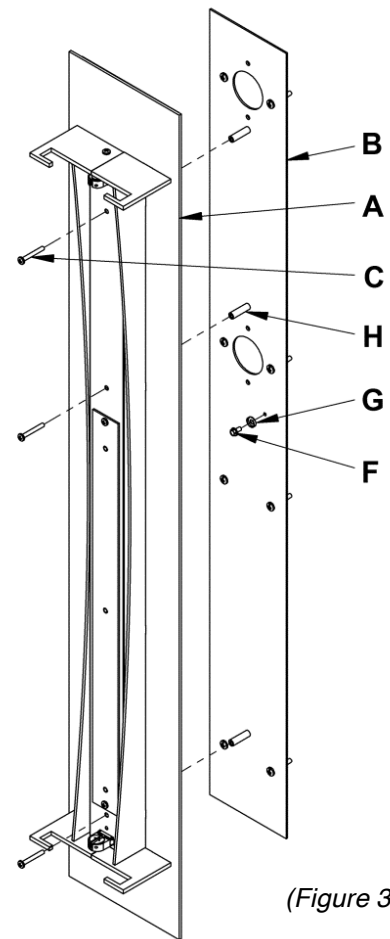
Component Parts

- A Fixture
- B Wall Mounting Bracket
- C 8-32 x 1-1/4" Screws (3)
- F Ground Screw
- G Cupped Washer
- H Threaded Standoff (3)

1. Hold the fixture (A) close to the wall mounting bracket (B) and using suitable wire connectors (not provided) connect fixture wires to supply wires (white to white & black to black.). Ground the mounting bracket using the green ground screw (F) and cupped washer (G) to secure a pigtail lead to the bracket. Connect all ground screws (bare copper or green to bare copper or green).
2. Carefully tuck all wires behind the fixture (A) and inside the wall mounting bracket (B) and place the fixture over the bracket so the holes in the top and bottom match the threaded standoffs (H) protruding from the wall mounting bracket (B). Secure the fixture by threading the 8-32 x 1-1/4" screws (C) through the holes in the fixture (A) and into the wall mounting bracket (B).

Note: Wall mounting bracket (B) is oriented in relation to the fixture (A) as shown in **Figure 3** such that the bracket end with the large hole matches the fixture end with red wires.

3. See instructions on next page to install shade.



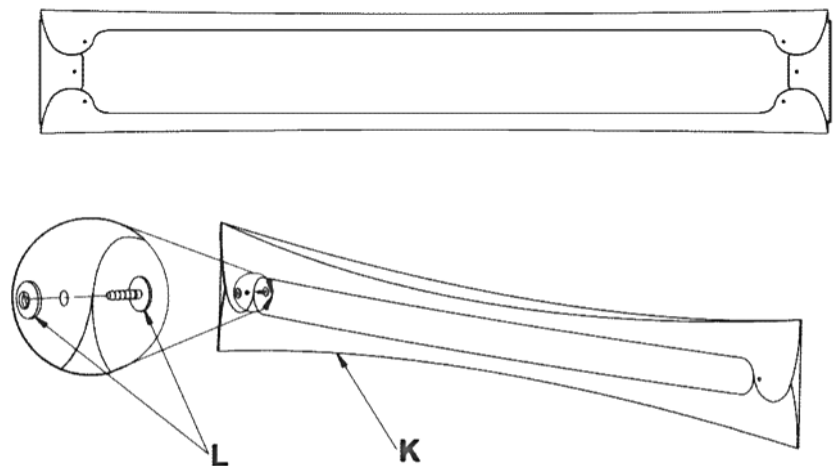
(Figure 3)

To Assemble Shade (Figure 4)

Component Parts

- K Shade
- L Plastic Rivet

1. Carefully unpack the shade (K).
2. Fold flaps (Figure 4) such that the three holes are aligned.
3. Insert plastic rivet (L) through the three holes and cap.
4. Repeat steps 2 & 3 for other side of shade (K).
5. Trim excess length of plastic rivet (L).



(Figure 4)

(continued)

Assembly & Installation Instructions

Bento Sconce 205955F

B284

Page 3 of 3

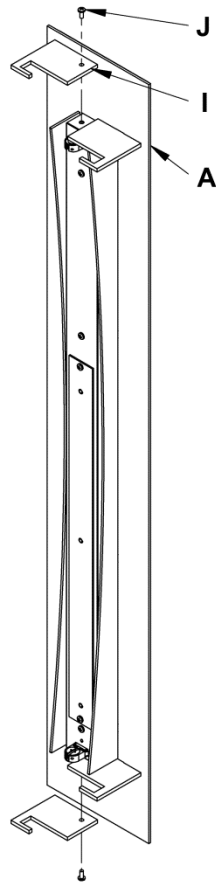
Install Shade (Figures 5 & 6)

Component Parts

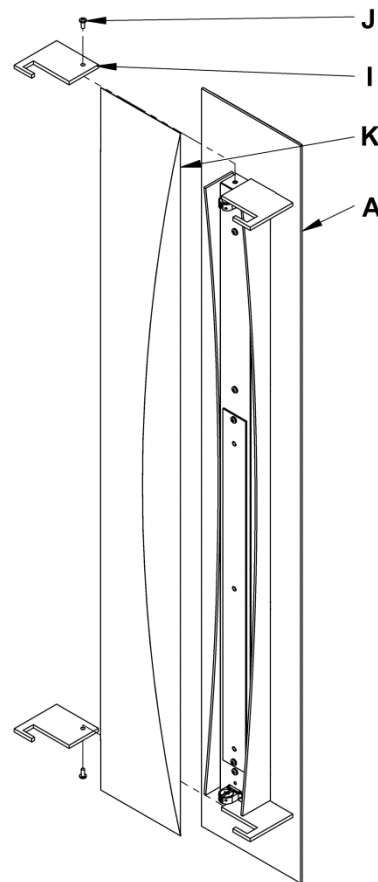
- A Fixture
- I Shade Bracket (2)
- J 8-32 x 3/8" Black Screws (2)
- K Shade

1. Remove both shade brackets (I) from fixture (A) by removing the black screws (J). Hold onto brackets (I) and screws (J) for later use (Figure 5).
2. Install bulb (not included).
3. Place the shade (K) into the bracket slot of the fixture (A). Attach the shade brackets (I) with the black screws (J) to complete the shade installation (Figure 6).

Note: Shade edges may need to be creased slightly by hand for a proper fit.



(Figure 5)



(Figure 6)

If you need further assistance, or find that you are missing any parts, please contact the dealer from which you purchased this product. We hope you enjoy your fixture!

* Hubbardton Forge will not be liable for injury or damage caused by improper installation, lamping or use of this fixture.