

# Installation Instructions

Sweeping Taper Sconce 20-4526

**B237**

Page 1 of 3

**CAUTION: FAILURE TO INSTALL THIS FIXTURE PROPERLY MAY RESULT IN SERIOUS PERSONAL INJURY OR DEATH AND PROPERTY DAMAGE. We recommend installation by a licensed electrician.**

This product must be installed in accordance with applicable installation code(s), by a person familiar with the construction and operation of the product and the hazards involved.\*

**Caution:** Do not exceed maximum wattage noted on fixture. Use only recommended bulbs with fixture.

**Please Note:** This fixture is designed to be mounted on a standard wall surface and may not be suitable for all applications. If installing in a non-wood frame application, we recommend consulting a qualified builder or electrician.

After installation extra hardware and accessories are possible; our kits are used on multiple products and options.

## **To Mount Fixture to Wall with Single Box** (Figure 1)

### Component Parts

- A Crossbar
- B Ground Screw
- C Nipple
- D Lock Nut
- E Threaded Cap
- F Fixture Assembly

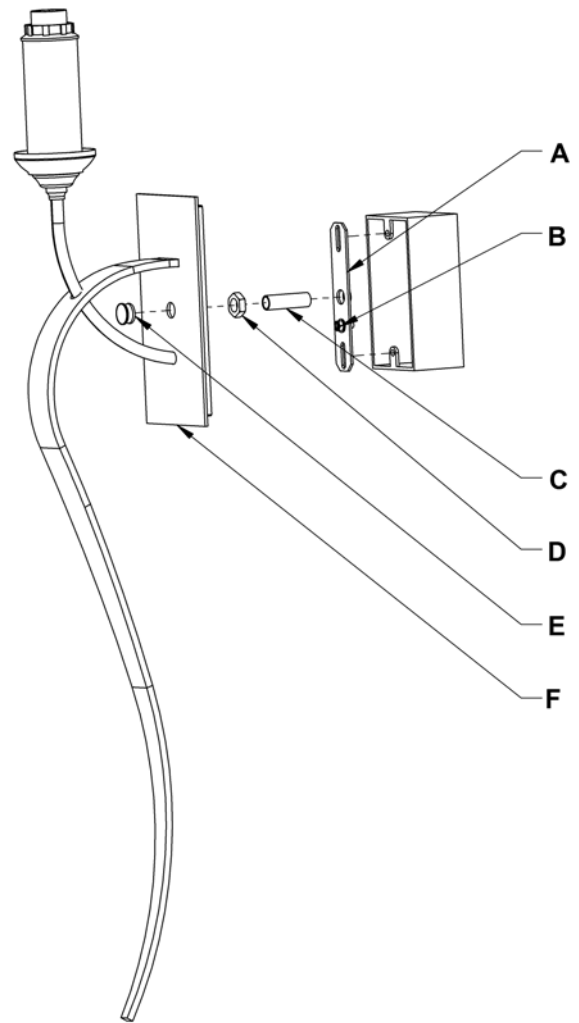
**Caution: Be sure power is off at the main breaker box prior to installation.**

1. Carefully unpack the fixture from the carton.
2. Using two machine screws (not provided), fasten the crossbar (A) to the electric box making sure crossbar is level.  
**Note:** A new electric box comes with screws. When replacing a fixture, retain the existing screws for use with the new fixture.
3. Thread the nipple (C) into the crossbar (A) and secure with lock nut (D). Adjust the nipple to proper length to ensure the fixture will fit snugly to the wall.
4. Ground the crossbar (A) by securing a pigtail lead around ground screw (B).

5. Hold the fixture assembly (F) close to the wall and using suitable wire connectors, not provided, connect fixture wires and pigtail leads to supply wires (white to white or ribbed, black to black or smooth and green to green or bare).

**Caution:** Make sure wire connectors are twisted on securely, and no bare wire is exposed.

6. Carefully tuck all wires behind the fixture, place fixture firmly against the wall and fasten with threaded cap (E).
7. See instructions following to install wall plate.



(Figure 1)

(continued)

# Installation Instructions

Sweeping Taper Sconce 20-4526

**B237**

Page 2 of 3

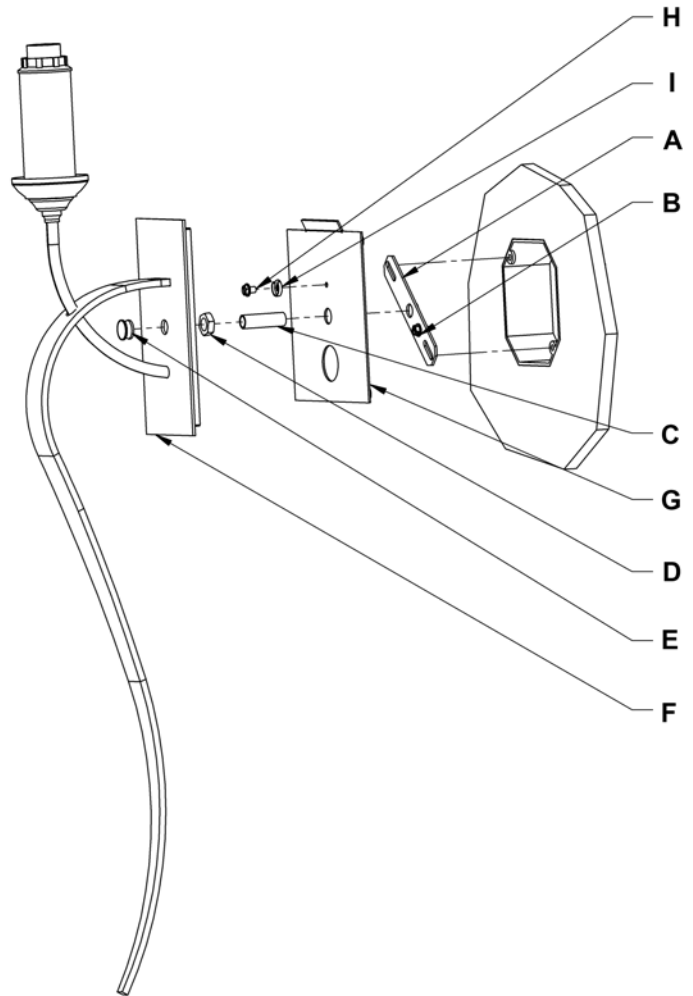
## To Mount Fixture to Wall with Standard 4" Box (Figure 2)

### Component Parts

- A Crossbar
- B Ground Screw
- C Nipple
- D Lock Nut
- E Threaded Cap
- F Fixture Assembly
- G Wall Plate
- H Ground Screw
- I Cupped Washer

**Caution: Be sure power is off at the main breaker box prior to installation.**

1. Carefully unpack the fixture from the carton.
2. Using two machine screws (not provided), fasten the crossbar (A) to the electric box making sure crossbar is level.  
**Note: A new electric box comes with screws. When replacing a fixture, retain the existing screws for use with the new fixture.**
3. Thread the nipple (C) into the crossbar (A). Adjust the nipple to proper length to ensure the fixture will fit snugly to the wall.
4. Ground the crossbar (A) by securing a pigtail lead around ground screw (B).
5. Orient the wall plate (G) so that the bent tab is at the top and bent away from the wall and slip onto nipple (C). The tab will fit into the back of the fixture to facilitate alignment.



(Figure 2)

6. Run a pigtail lead using ground screw (H) and cupped washer (I).
7. Thread the pigtail lead and fixture wires through the large diameter hole at the bottom of the wall plate (G).
8. Hold the fixture assembly (F) close to the wall and using suitable wire connectors, not provided, connect fixture wires and pigtail leads to supply wires (white to white or ribbed, black to black or smooth and green to green or bare).  
**Caution: Make sure wire connectors are twisted on securely, and no bare wire is exposed.**
9. Secure nipple (C) and wall plate (G) with lock nut (D).
10. Place fixture firmly against the wall and fasten with threaded cap (E).
11. See instructions following to install glass.

(continued)

# Installation Instructions

Sweeping Taper Sconce 20-4526

**B237**

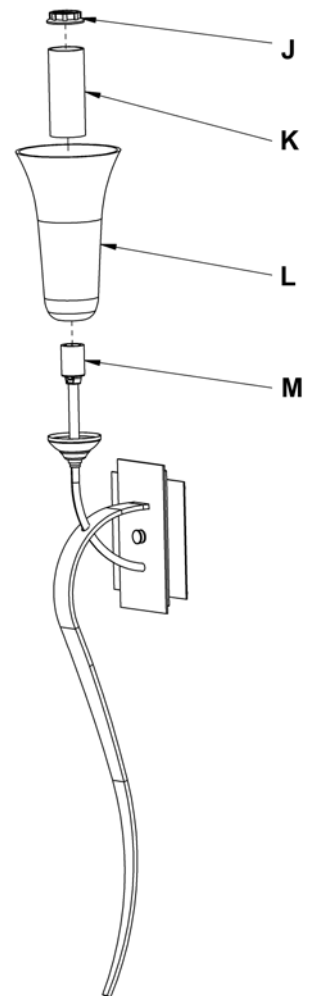
Page 3 of 3

## **To Install Glass** (Figure 3)

### Component Parts

- J Retaining Ring
- K Glass Spacer
- L Glass
- M Socket

1. Remove retaining ring (J) from socket (M). *Retaining ring is shipped installed.*
2. Slip glass (L) over socket (M) then place glass spacer (K) over socket (M).
3. Reinstall retaining ring (J)
4. Install light bulb. *Light bulb not included*
5. Restore electricity at the main breaker. *If installing shade option wait to restore electricity until after shade is installed.*



(Figure 3)

*If you need further assistance, or find that you are missing any parts, please contact the dealer from which you purchased this product. We hope you enjoy your fixture!*

\* Hubbardton Forge will not be liable for injury or damage caused by improper installation, lamping or use of this fixture.