

Installation Instructions

For Wall Sconce 20-4010, 20-4210 & 20-4220

B196

Page 1 of 1

CAUTION: FAILURE TO INSTALL THIS FIXTURE PROPERLY MAY RESULT IN SERIOUS PERSONAL INJURY OR DEATH AND PROPERTY DAMAGE. We recommend installation by a licensed electrician.

This product must be installed in accordance with applicable installation code(s), by a person familiar with the construction and operation of the product and the hazards involved.*

Caution: Do not exceed maximum wattage noted on fixture. Use only recommended bulbs with fixture.

Please Note: This fixture is designed to be mounted on a standard wall surface and may not be suitable for all applications. If installing in a non-wood frame application, we recommend consulting a qualified builder or electrician.

After installation extra hardware and accessories are possible; our kits are used on multiple products and options.

To Mount Fixture to Wall (Figure 1)

Component Parts

- A Fixture
- B Screw Cap
- C Nipple
- D Lock Nut
- E Crossbar
- F Ground Screw

Caution: Be sure power is off at the main breaker box prior to installation.

1. Carefully unpack the fixture from the carton.
2. Using two machine screws (not provided) attach cross bar (E) to the electric box.
Note: A new electric box comes with screws. When replacing a fixture, retain the screws for use with the new fixture.
3. Thread the nipple (C) into the crossbar and secure with lock nut (D). Adjust the nipple to proper length to ensure the fixture will fit snugly to the wall.
4. Using suitable wire connectors (not provided), connect the fixture wires to the supply wires, (white to white, black to black, bare copper or green to bare copper or green). Ground the crossbar using the green ground screw (F) to secure a pigtail lead to the bracket. If the fixture is wired with twin lead lamp cord, connect the ribbed side to white, and the smooth side to black.
Caution: Make sure wire connectors are twisted on securely and no bare wires are exposed.
5. Carefully tuck all wires behind the fixture, place fixture firmly against the wall and fasten screw cap (B).
6. Install light bulb.
7. Restore electricity at the main breaker.

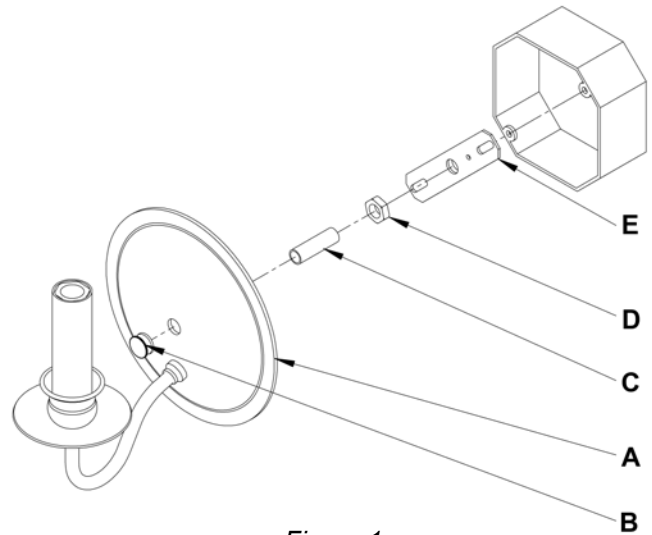


Figure 1

This illustration represents a typical fixture and may not match every style.

If you need further assistance, or find that you are missing any parts, please contact the dealer from which you purchased this product. We hope you enjoy your fixture!

* Hubbardton Forge will not be liable for injury or damage caused by improper installation, lamping or use of this fixture.