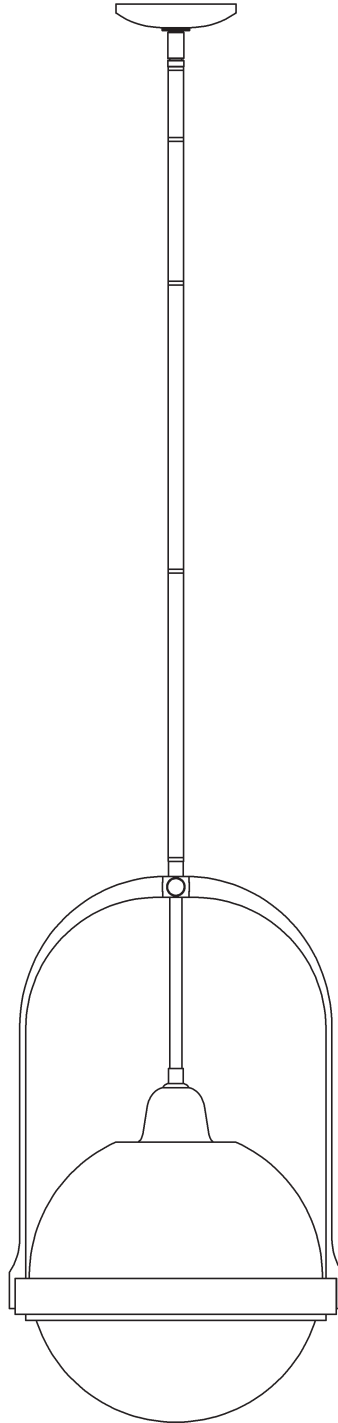


ASSEMBLY & INSTALLATION INSTRUCTIONS

A728

Atlas Mini Pendant 187460



HUBBARDTON FORGE.

MODERN AMERICAN BLACKSMITHS | FINE, HAND CRAFTED LIGHTING
CASTLETON, VERMONT USA | HUBBARDTONFORGE.COM

Component Parts

- A Fixture Pipe**
- B Fixture Coupling**
- C Crossbar**
- D Jam Nut**
- E Threaded Nipple**
- F Ground Screw**
- G Canopy Ring**
- H Canopy**
- I Swivel**
- J Single Sided Stem Coupling (2)**
- K Threaded Nipple (2)**
- L 3" Fixture Pipe**
- M 6" Fixture Pipe**
- N 12" Fixture Pipe (3) Note: Only 2 are shown in the illustration**
- O Double Sided Stem Coupling (4)**
- P Fixture Frame**
- Q Knob**
- R Bulb (not included)**
- S Glass**



ASSEMBLY & INSTALLATION INSTRUCTIONS

A728

Atlas Mini Pendant 187460

CAUTION: FAILURE TO INSTALL THIS FIXTURE PROPERLY MAY RESULT IN SERIOUS PERSONAL INJURY OR DEATH AND PROPERTY DAMAGE. We recommend installation by a licensed electrician. This product must be installed in accordance with applicable installation code(s), by a person familiar with the construction and operation of the product and the hazards involved.*

Caution: Do not exceed maximum wattage noted on fixture. Use only recommended bulbs with fixture.

Please Note: After installation extra hardware and accessories are possible due to our kits are used on multiple products and options.

To Install Fixture (Figure 1) on following page

CAUTION: BE SURE POWER IS OFF AT THE MAIN BREAKER BOX PRIOR TO INSTALLATION.

1. Carefully unpack fixture (A) from the carton.
2. Thread jam nut (D) and crossbar (C) onto threaded nipple (E) with ground screw (F) facing towards swivel (I); leave both parts loose.
3. Using two machine screws (not provided), temporarily fasten crossbar (C) to the electric box.

NOTE: A NEW ELECTRIC BOX COMES WITH SCREWS. WHEN REPLACING A FIXTURE, RETAIN THE EXISTING SCREWS FOR USE WITH THE NEW FIXTURE.

4. Adjust the length of threaded nipple (E) in crossbar (C) so that canopy ring (G) will hold canopy (H) against the ceiling with no threads showing for best appearance. When the correct adjustment is established, tighten jam nut (D) against crossbar (C) to secure the adjustment.
5. Remove crossbar (C) from the electrical box and proceed with the assembly instructions.
6. Locate fixture (A), fixture coupling (B), and fixture frame (P). Loosen knob (Q) enough to slide fixture pipe (A) up through fixture frame (P). Apply thread locking compound and thread fixture coupling (B) onto fixture pipe(A). Tighten knob Q to prevent the frame from sliding along pipe during the remainder of the installation process. .
7. Study the diagram in figure one on the next page and the parts list on the first page to become familiar with the various parts and how they fit together. Provided are multiple fixture pipes (L,M,N) in three different lengths. Choose the combination that will acheive the overall height desired. Refer to the table below to determine the pipes required to reach the desired overall height. Once you have determined the components necessary, feed the wires that exit fixture coupling (B) through the individual components and thread pipes and couplings together. There should be a single sided stem coupling (J) at each end of the stem assembly. If using no pipes for the shortest possible height, swivel (I) will thread directly onto threaded nipple (K). Wires will slip easier through loose components than through pipes and couplings that are pre-assembled. Once wires are run, apply thread locking compound to all the connection points and assemble the pipes and nipples.

		Overall Height of Fixture															
		27	30	33	36	39	42	45	48	51	54	57	60	63	66	69	72
# of Pipes Required	3" Pipe (J)		1		1		1		1		1		1		1		1
	6" Pipe (K)			1	1			1	1			1	1			1	1
	12" Pipe (L)					1	1	1	1	2	2	2	2	3	3	3	3

NOTE: APPLICATION OF THE THREAD LOCKING COMPOUND IS NECESSARY TO PREVENT THE PIPE FROM LOOSENING DURING REGULAR MAINTENANCE AND CLEANING OF THE FIXTURE. BE CERTAIN TO APPLY THE COMPOUND.

8. Carefully slide canopy ring (G) and canopy (H) over wires and fixture pipes (J, K, L) until they rest on fixture (A).

ASSEMBLY & INSTALLATION INSTRUCTIONS

A728

Atlas Mini Pendant 187460

- Slip wires from the fixture (A) through nipple (K) and assembled swivel (I) then thread swivel and nipple into single sided stem coupling (J). If using no pipes to achieve shortest possible height, swivel will thread directly into fixture coupling (B) using nipple (K).
- Using two machine screws (not provided), fasten crossbar (C) to the electric box.
- Using suitable wire connectors (not provided) connect fixture wires to supply (white/ribbed to white and black/smooth to black). Attach a pigtail lead to crossbar ground screw (F). Hold canopy (H) close, connect all ground wires (bare copper or green to bare copper or green).

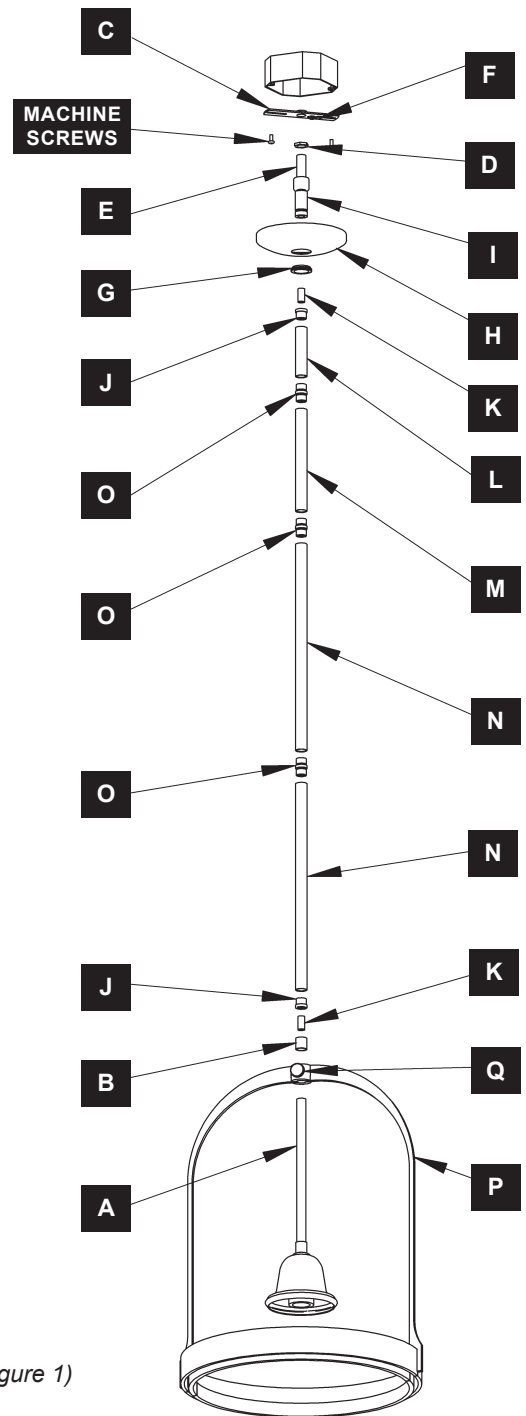
CAUTION: MAKE SURE WIRE CONNECTORS ARE TWISTED ON SECURELY, AND NO BARE WIRE IS EXPOSED.

- Slide canopy (H) against ceiling, and secure with canopy ring (G).

CAUTION: BE SURE NO WIRES ARE PINCHED BETWEEN CANOPY (H) AND THE CEILING.

- Refer to Figure 2 on next page. Loosen Knob (Q) and lower fixture frame (P).
- Install bulb (R, not included).
- Place glass (S) into fixture ring
- Raise fixture frame until it contacts fixture coupling (B), and tighten knob (Q) securely.
- Restore electricity at main breaker.

CAUTION: BE SURE TO TIGHEN THUMB SCREW FULLY SO FIXTURE DOES NOT SLIP DOWN.



(Figure 1)

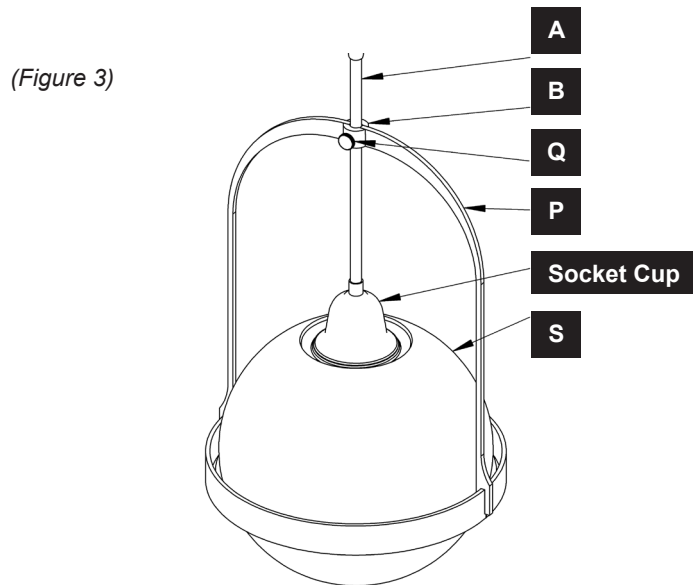
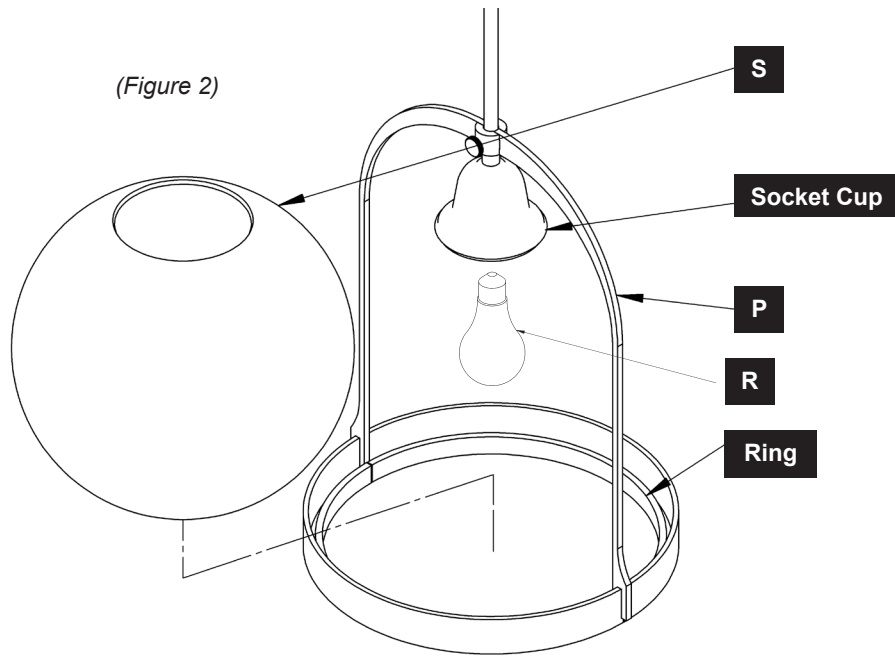
If you need further assistance, or find that you are missing any parts, please contact the dealer from which you purchased this product. We hope you enjoy your fixture!

* Hubbardton Forge will not be liable for injury or damage caused by improper installation, lamping or use of this fixture.

ASSEMBLY & INSTALLATION INSTRUCTIONS

A728

Atlas Mini Pendant 187460



HUBBARDTON FORGE.

MODERN AMERICAN BLACKSMITHS | FINE, HAND CRAFTED LIGHTING
CASTLETON, VERMONT USA | HUBBARDTONFORGE.COM