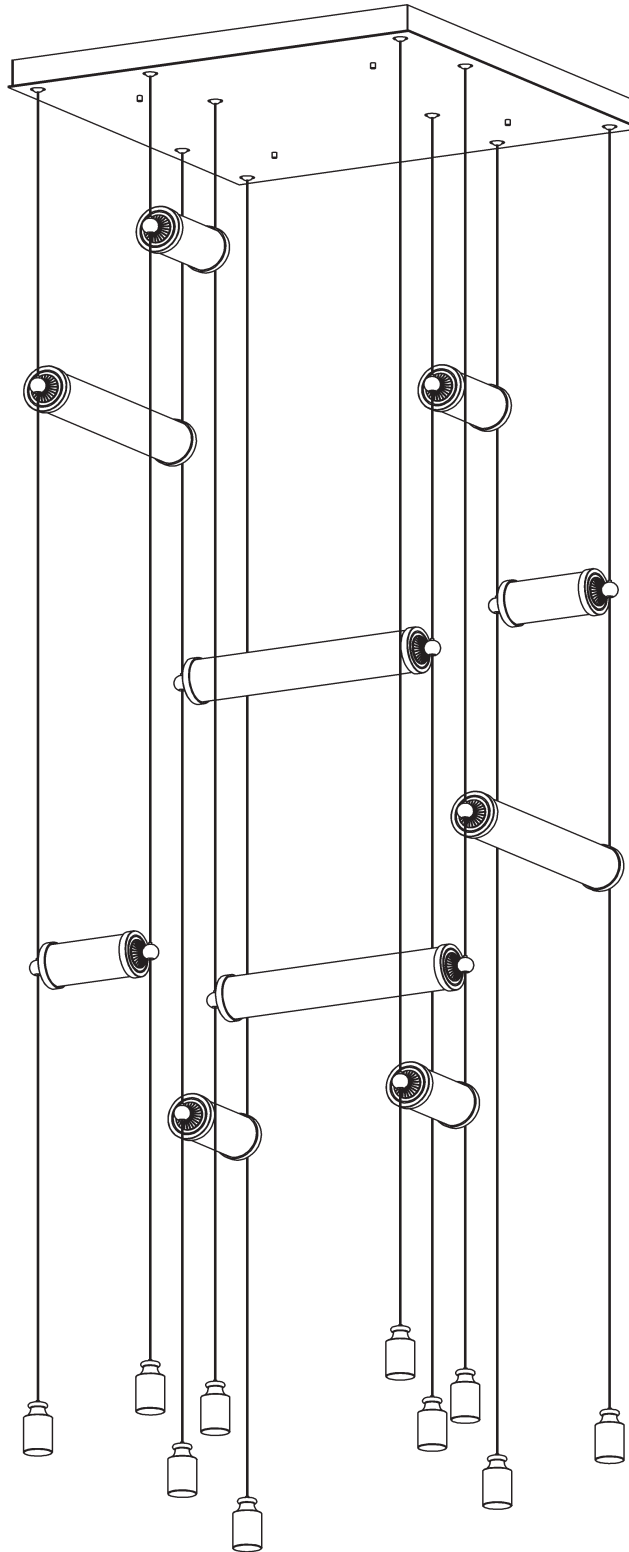


ASSEMBLY & INSTALLATION INSTRUCTIONS

A671

Libra Square Pendant - 139100



HUBBARDTON FORGE.

MODERN AMERICAN BLACKSMITHS | FINE, HAND CRAFTED LIGHTING
CASTLETON, VERMONT USA | HUBBARDTONFORGE.COM

46884 Rev A

Component Parts

- A. Canopy**
- B. Cover Plate**
- C. Knob (4)**
- D. Anchor (8)**
- E. #10 Screws (8)**
- F. Ground Screw**
- G. Cupped Washer**
- H. Driver (2)**
- I. Cables (10)**
- J. Threaded Studs (4)**
- K. Safety Cable (2)**
- L. Glass Large (4)**
- M. Glass Small (6)**
- N. Glass Gripper (20)**
- O. Weight (10)**
- P. Weight Gripper (10)**



Libra Square Pendant - 139100

CAUTION: FAILURE TO INSTALL THIS FIXTURE PROPERLY MAY RESULT IN SERIOUS PERSONAL INJURY OR DEATH AND PROPERTY DAMAGE. We recommend installation by a licensed electrician. This product must be installed in accordance with applicable installation code(s), by a person familiar with the construction and operation of the product and the hazards involved.*

Install Canopy (Figure 1 - on following page)

1. Carefully unpack the fixture from the carton.
2. Remove knobs (C) and separate cover plate (B) from canopy (A). Set aside for later use.
3. Center the canopy (A) over the electrical box. Be sure to line up oval slots in bracket with mounting holes in electrical box. With a pencil, mark the location of all mounting holes in the canopy (A) on the ceiling

CAUTION: Due to weight of fixture, be sure at least two #10 screws (E) attach canopy (A) to a structural member in the ceiling. No anchors (D) will be needed in those locations. We've supplied wood screws with your fixture, however, different materials and/or construction methods may require different fasteners. If in doubt, contact a qualified electrician.

4. Put the canopy (A) down and drill 1/4" holes in the locations marked on the ceiling. Place the tapered end of the anchors (D) into the holes and gently tap them flush to the ceiling using a light weight hammer.
5. Thread the wires from the electrical box through the center hole in the canopy (A) while moving into position.
6. Using two machine screws (not provided), fasten the canopy (A) to the electric box using oval slots in center.

Note: Most electric boxes comes with screws. When replacing a fixture, retain the existing screws for use with the new fixture.

7. Using the #10 screws (E), secure canopy (A) securely to ceiling. Be careful not to over-tighten or strip anchors (D).
8. Slide cables (I) through appropriate holes in cover plate (B). Holding cover plate (B) close to ceiling, connect safety cables (K) using nuts provided. Safety cables (K) will hold cover plate (B) while wiring connections are made.
9. Using suitable wire connectors (not provided) connect both driver (H) wires to supply wires (white to white and black to black). Attach a pigtail lead to canopy (A) using the ground screw (F) and cupped washer (G) found in mounting kit. Connect all ground wires (bare copper or green to bare copper or green) together.

Caution: Be sure wire connectors are twisted on securely, and no bare wire is exposed.

10. Slip cover plate (B) over threaded studs (J). Secure with knobs (C). Be sure threaded studs are fully seated in knobs.

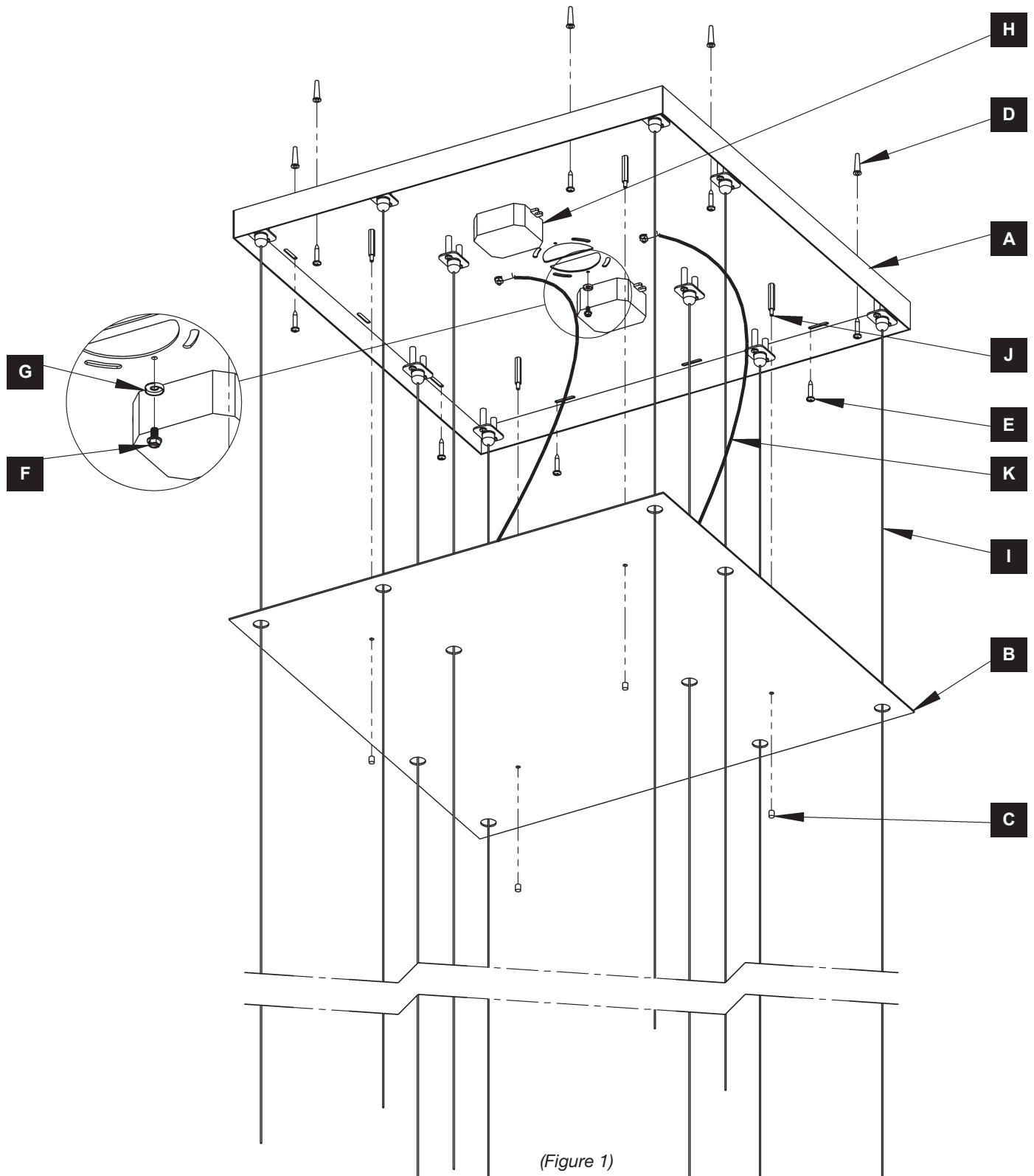
Caution: Be sure no wires are pinched between the cover plate (B) and the canopy (A).

11. Complete steps on following pages to install glass and complete installation.

ASSEMBLY & INSTALLATION INSTRUCTIONS

A671

Libra Square Pendant - 139100



(Figure 1)

Libra Square Pendant - 139100

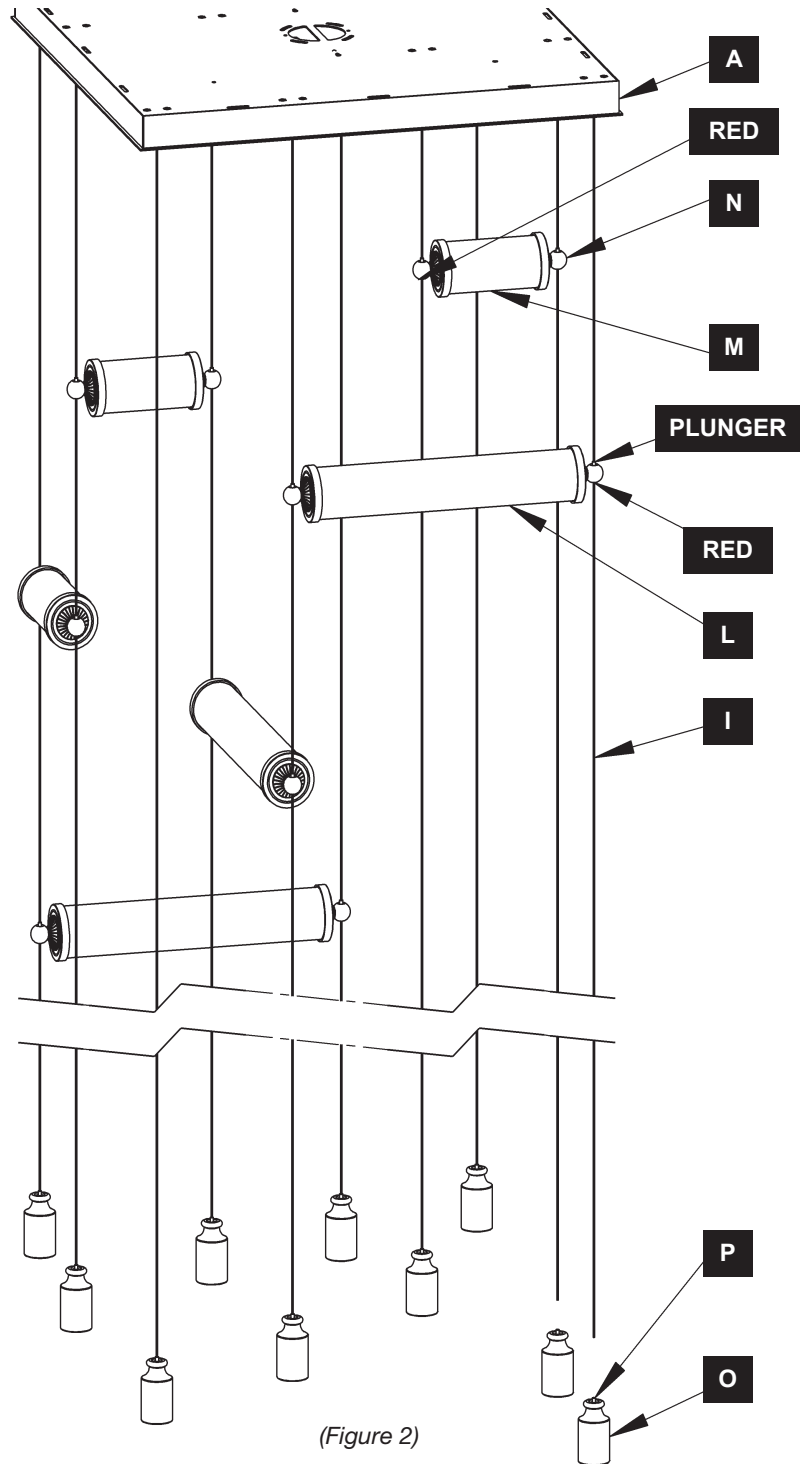
Install Glass & Weights *(Figure 2)*

1. Careful unpack both sizes of glass (L & M).
2. Glass grippers (N) are marked Red on the bottom for (+).
3. The canopy (A) is marked over the cables (I) with (+) and (-) labels. Red glass grippers (N) will always be on a (+) cable and the other side always on a (-) cable.
4. Slide glass (L & M), plunger end first, up appropriate cables (I). Repeat with remaining glass (L & M) and locate in desired orientation.

Note: See page 1 for Design Preference. See Bottom View on following page to aid in installation of glass modules.

Note: Be sure Red glass grippers are on a (+) cable.

5. If glass (L & M) needs to be lowered, push in on the plunger to release cable, hold in, and move glass ball to desired location.
6. Cut cables (I) to desired heights.
7. Install weights (O) onto ends of cable (I) by pushing plunger end of weight gripper (P) onto cable (I).
8. Repeat for remaining weights (O).
9. Restore electricity at main breaker.



(Figure 2)

ASSEMBLY & INSTALLATION INSTRUCTIONS

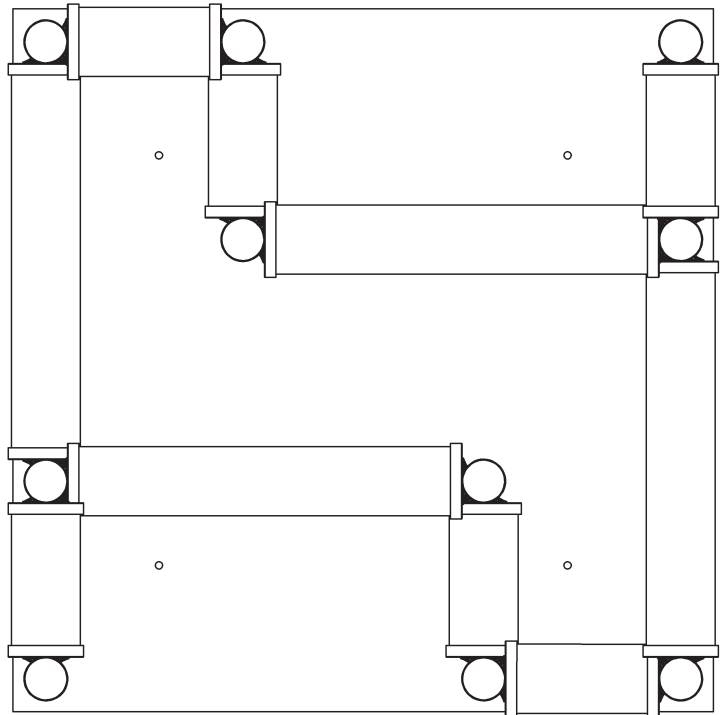
A671

Libra Square Pendant - 139100

IMPORTANT NOTES:

- LED glass modules are factory assembled. Do NOT attempt to disassemble Glass Modules (L & M).
- Additional Glass Modules (L & M) can be ordered individually. Contact the dealer from which you purchased this product for more information.
- Due to electrical components included with this fixture, only certain combinations of additional glass modules can be added. Please carefully review the chart below before ordering additional modules.
- If more than the allowed glass modules are desired, please contact dealer about a custom fixture. Longer cables may be necessary for many additional modules.

Additional Modules	
Small	Large
1 – 11	0
0 – 8	1
0 – 7	2
0 – 5	3
0 – 3	4
0 – 1	5



(BOTTOM VIEW)

If you need further assistance, or find that you are missing any parts, please contact the dealer from which you purchased this product. We hope you enjoy your fixture!

** Hubbardton Forge will not be liable for injury or damage caused by improper installation, lamping or use of this fixture.*



MODERN AMERICAN BLACKSMITHS | FINE, HAND CRAFTED LIGHTING
CASTLETON, VERMONT USA | HUBBARDTONFORGE.COM

46884 Rev A