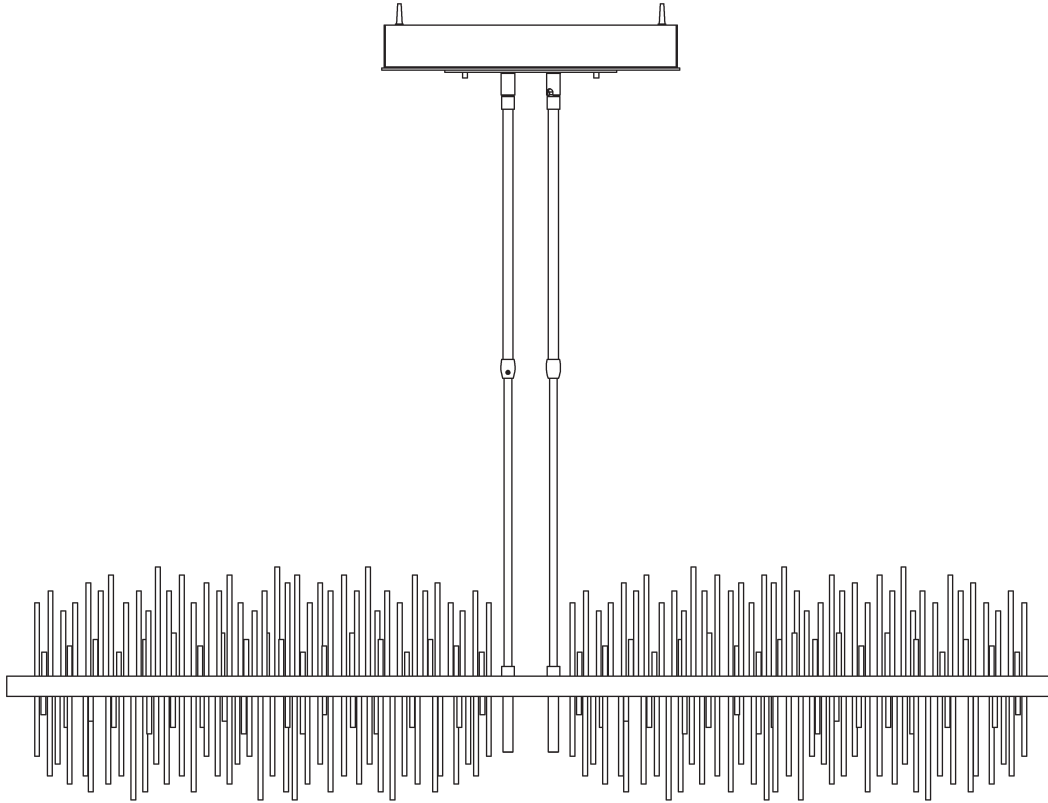


ASSEMBLY & INSTALLATION INSTRUCTIONS

A649

Gossamer Pendant, Large 139655



Component Parts

A	Fixture
B	Fixture Pipe (2)
C	Fixture Coupling
D	Hex Nipple (2)
E	Lock Washer (2)
F	Bent Bracket
G	Canopy Pipe (2)
H	Swivel (2)
I	Canopy
J	Clutch (2)
K	Plastice Sleeve (2)
L	Set Screw (2)
M	Mounting Bracket
N	Wood Screw (4)
O	Safety Cable
P	Cupped Washer
Q	Ground Screw
R	Threaded stud (2)
S	Knob (2)
T	Accent 1 (4)
U	Accent 2 (8)



ASSEMBLY & INSTALLATION INSTRUCTIONS

A649

Gossamer Pendant, Large 139655

CAUTION: FAILURE TO INSTALL THIS FIXTURE PROPERLY MAY RESULT IN SERIOUS PERSONAL INJURY OR DEATH AND PROPERTY DAMAGE. We recommend installation by a licensed electrician. This product must be installed in accordance with applicable installation code(s), by a person familiar with the construction and operation of the product and the hazards involved.*

Caution: Do not exceed maximum wattage noted on fixture. Use only recommended bulbs with fixture.

Please Note: After installation extra hardware and accessories are possible; our kits are used on multiple products.

To Install Fixture (Figures 1-3)

CAUTION: BE SURE POWER IS OFF AT THE MAIN BREAKER BOX PRIOR TO INSTALLATION.

1. Carefully unpack fixture (A) from the carton.
2. Carefully thread fixture pipe (B), threaded end first, over fixture wires.
3. Apply a drop of supplied thread locking compound to the internal threads of fixture coupling (C) and screw fixture pipe (B) into fixture, being careful not to twist the wires.

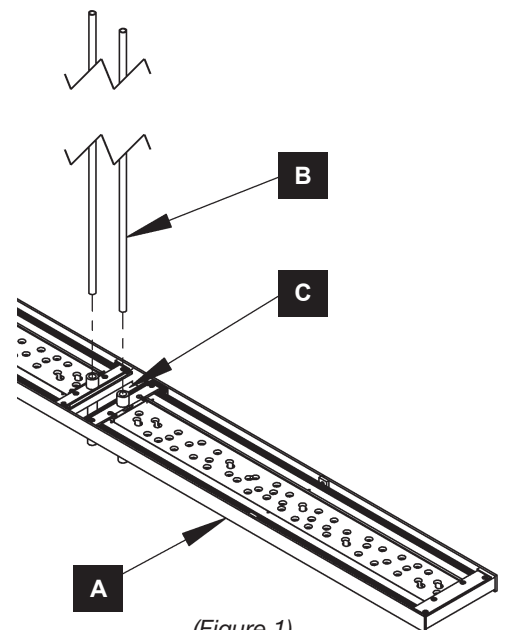
Note: Application of the thread locking compound is necessary to prevent the stem from loosening during regular maintenance and cleaning of the fixture. Be certain to apply the compound.

4. Repeat steps 2 & 3 for remaining fixture pipe (B)
5. Hex nipples (D) and lock washers (E) are shipped installed in swivels (H). Remove these parts for use in next step.
6. Insert threaded end of hex nipple (D) down through lock washer (E), bent bracket (F) and into swivel (H). (Figure 2)
7. Tighten securely being sure the notches in the swivels (H) are orientated properly.

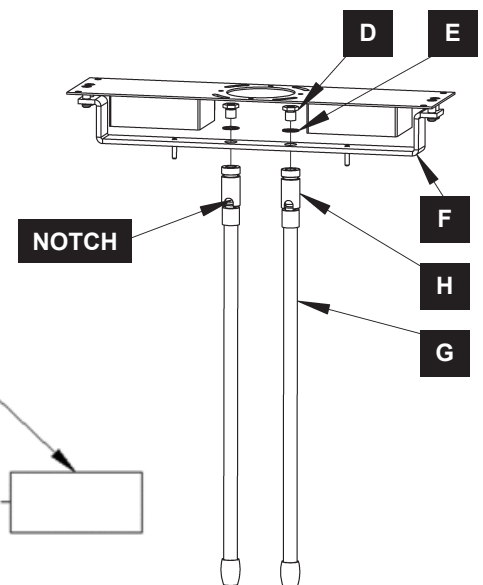
Note: If installing on a sloped ceiling, make certain that the notches in the swivel portion of the stems are orientated toward the lower side of the slope.

8. Line up holes in canopy (I) with fixture pipes (B). Slide over fixture pipes (B) until canopy (I) rests on top of fixture (A). (Figure 4)
9. Unscrew clutch (J) from the canopy pipe (G); slide it across the wires and onto fixture pipe (B). Follow this with plastic sleeve (K), it may be necessary to loosen set screw (L). Repeat for second set of pipes.

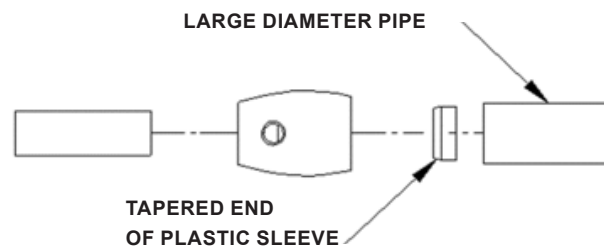
Note: The sleeve should be oriented so the tapered end of the clutch sleeve nests in the clutch. (Figure 3)



(Figure 1)



(Figure 2)



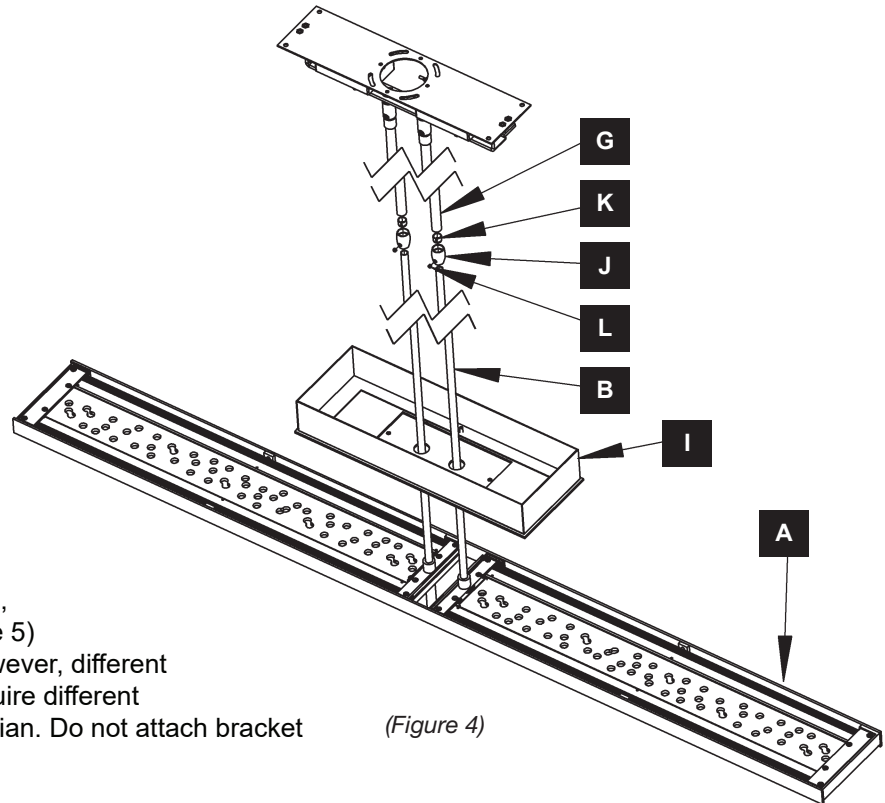
(Figure 3)

Gossamer Pendant, Large 139655

To Install Fixture *(continued)* (Figure 4)

10. Thread the wires from the fixture pipe (B) into canopy pipe (G).
11. Slide canopy pipe (G) onto fixture pipe (B) as far as necessary to give you the total length of the fixture which you desire. Be careful not to scratch the pipe surfaces and to pull excess wire up through the canopy pipe (G). Once desired height has been reached, screw clutch (J) onto canopy pipe (G). There must be a minimum 1-1/2" of inner pipe inside the outer pipe. Tighten set screw (L) in clutch firmly with hex wrench provided.

Note: To ensure full connection strength, be sure the tapered end of the plastic sleeve (K) is oriented toward the clutch (J) when assembled and securely tighten set screw (L) with provided hex wrench. (Figure 3)



(Figure 4)

12. Using wood screws (N), attach mounting bracket (M) to a structural member in the ceiling, centering the bracket over the outlet box. (Figure 5) Wood screws are supplied with your fixture; however, different materials and/or construction methods may require different fasteners. If in doubt, contact a qualified electrician. Do not attach bracket directly to outlet box.
13. Raise canopy (I). Connect safety cable (O) from canopy (I) to mounting bracket (M) using a #8 screw that ships in the mounting kit bag. Safety cable (O) is used to temporarily suspend canopy while wiring connections are made.
14. The LED Driver OUTPUT wires are red and blue (or black) and are shipped with connectors attached. Connect the red wires from the fixture to the red wires from the driver using this connector. Repeat the same for the blue wires. Blue to blue or blue to black.
15. Using ground screw (Q) and cupped washer (P) that ship in mounting kit bag, run a pigtail lead from bracket to the junction box. Connect all ground wires (bare copper or green to bare copper or green). Push wires back into outlet box.

WARNING: DO NOT CONNECT RED AND BLUE FIXTURE WIRES TO MAINS VOLTAGE, AS THIS CAN DAMAGE LEDS AND VOID WARRANTY COVERAGE.

16. Using suitable wire connectors (not provided) connect Driver INPUT wires to mains supply wires (white to white and black to black).

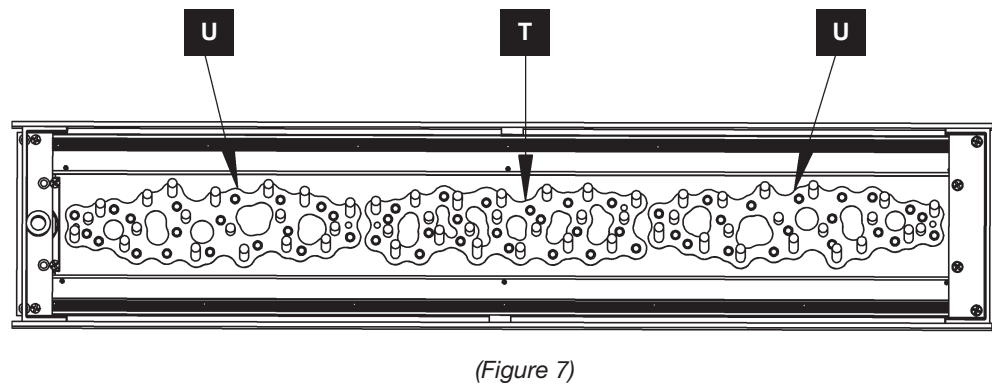
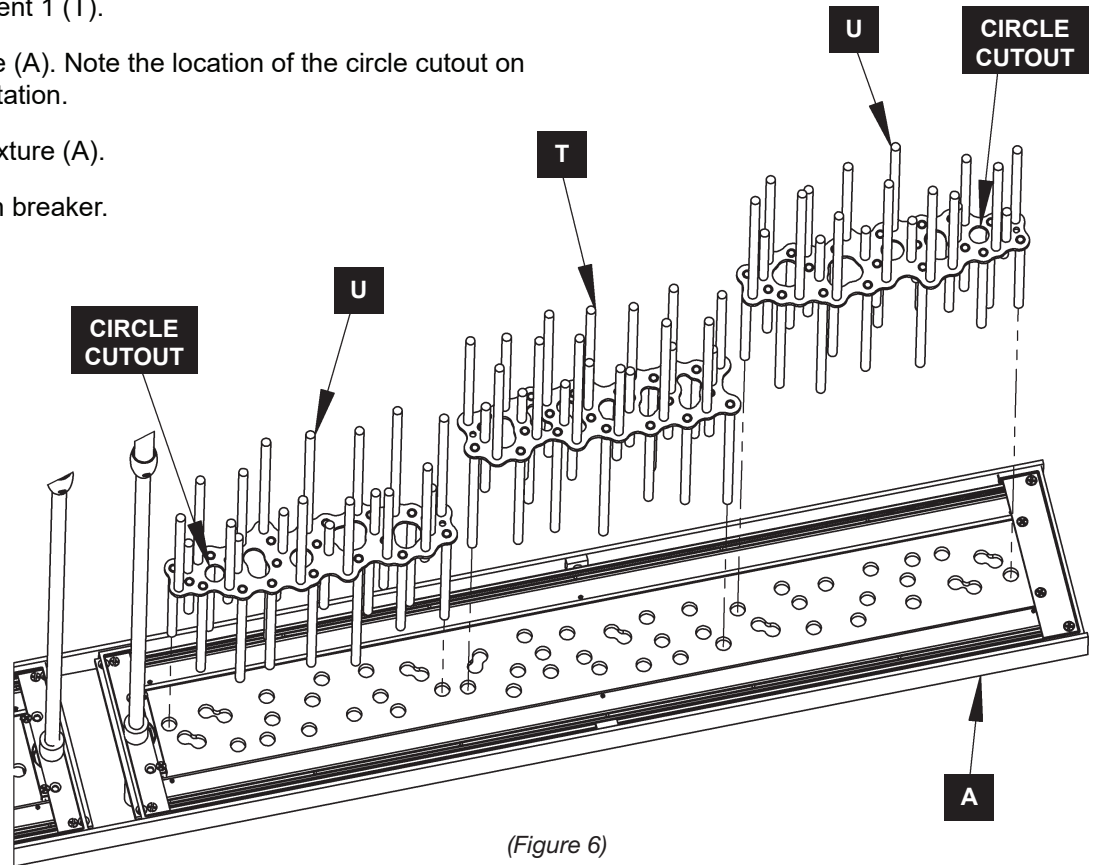
CAUTION: MAKE SURE WIRE CONNECTORS ARE TWISTED ON SECURELY AND NO BARE WIRE IS EXPOSED.

17. Raise canopy (I) and push firmly to ceiling, making sure that no wires are pinched between canopy (I) and ceiling. Threaded studs (R) ship attached to barrel knobs (S). Screw studs (R) into bent bracket (F) to secure canopy (I).
18. Follow instructions on following page to install decorative assemblies.

Gossamer Pendant, Large 139655

To Install Accents *(Figure 6, 7)*

1. Sort decorative accents into two sets. One side of fixture (A) will use two accent 2 (U) and one accent 1 (T).
2. Install accents onto fixture (A). Note the location of the circle cutout on accent 2 (K) to help orientation.
3. Repeat on other side of fixture (A).
4. Restore electricity at main breaker.



If you need further assistance, or find that you are missing any parts, please contact the dealer from which you purchased this product. We hope you enjoy your fixture!

*** Hubbardton Forge will not be liable for injury or damage caused by improper installation, lamping or use of this fixture.**