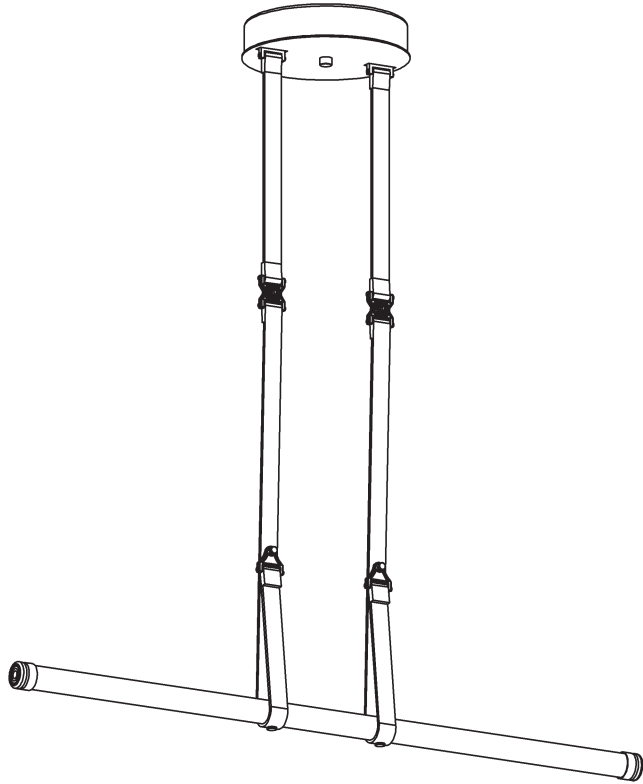


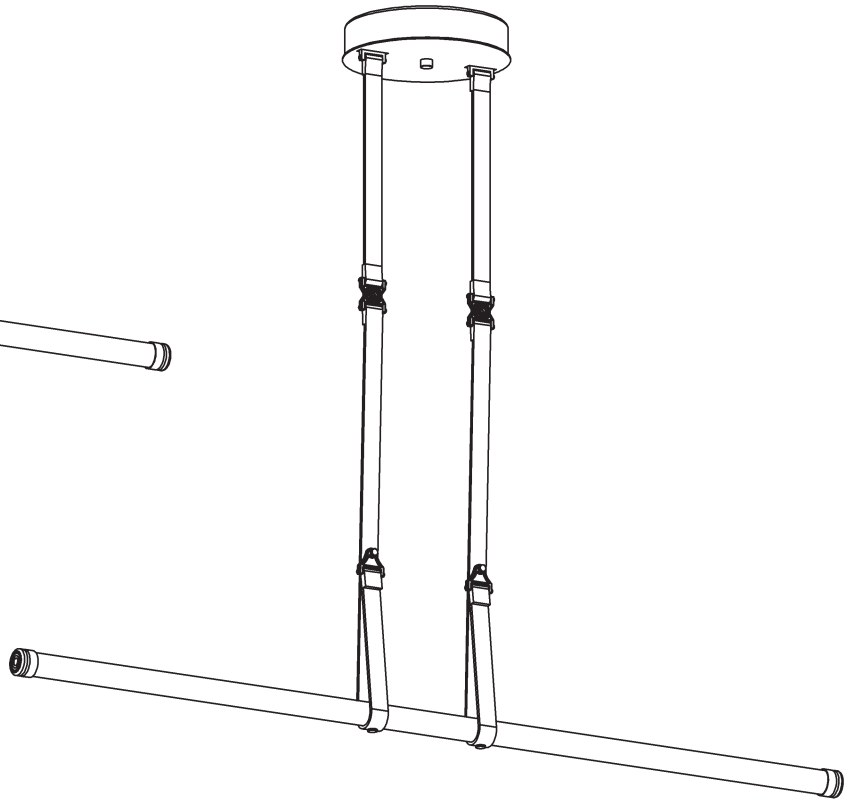
# ASSEMBLY & INSTALLATION INSTRUCTIONS

A625

Belmont Pendant, 36" and 48" Tube, 131047, 131050



**131047**  
*(Shown in Instructions)*



**131050**



HUBBARDTON FORGE.

MODERN AMERICAN BLACKSMITHS | FINE, HAND CRAFTED LIGHTING  
CASTLETON, VERMONT USA | HUBBARDTONFORGE.COM

# ASSEMBLY & INSTALLATION INSTRUCTIONS

A625

Belmont Pendant, 36" and 48" Tube, 131047, 131050

---

## Component Parts

- A Knob**
- B Canopy Cover Plate**
- C #8 Screw (4)**
- D Driver Plate**
- E Canopy**
- F Brass Hanger (2)**
- G Leather Strap Assembly (2)**
- H Brass Screw (4)**
- I Glass Tube**
- J Thumb Screw (2)**
- K Plastic Washer (10)**



# ASSEMBLY & INSTALLATION INSTRUCTIONS

A625

Belmont Pendant, 36" and 48" Tube, 131047, 131050

**CAUTION: FAILURE TO INSTALL THIS FIXTURE PROPERLY MAY RESULT IN SERIOUS PERSONAL INJURY OR DEATH AND PROPERTY DAMAGE.** We recommend installation by a licensed electrician. This product must be installed in accordance with applicable installation code(s), by a person familiar with the construction and operation of the product and the hazards involved.\*

Please Note: After installation extra hardware and accessories are possible due to our kits are used on multiple products and options.

## To Install Canopy (Figure 1)

**CAUTION: BE SURE POWER IS OFF AT THE MAIN BREAKER BOX PRIOR TO INSTALLATION.**

1. Carefully unpack fixture from the carton.
2. Unscrew knob (A) and remove canopy cover plate (B). Set parts aside.
3. Uncrew #8 screws (C) and remove driver plate (D). Make note of driver plate (D) orientation in canopy (E). Set parts aside.
4. Pull wires from electrical box through canopy (E). Using two machine screws (not provided), fasten canopy (E) to the electrical box. Orientation is critical to how fixture will hang.

**Note:** A new electric box comes with screws. When replacing a fixture, retain the existing screws for use with the new fixture.

5. Hold driver plate (D) close to ceiling; using suitable wire connectors (not provided) connect fixture wires to supply wires (white to white and black to black). Connect all ground wires (bare copper or green to bare copper or green).

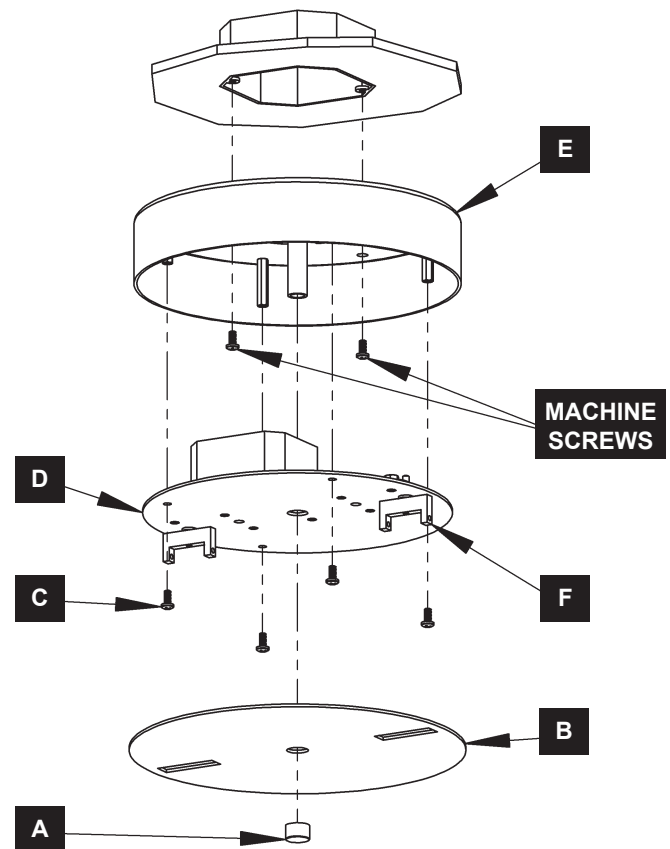
**CAUTION: MAKE SURE WIRE CONNECTORS ARE TWISTED ON SECURELY AND NO BARE WIRE IS EXPOSED.**

6. Place driver plate (D) into canopy (E). Fasten with #8 screws (C).

**CAUTION: BE SURE NO WIRES ARE PINCHED BETWEEN THE DRIVER PLATE AND THE CANOPY.**

7. Attach canopy cover plate (B) with knob (A) over brass hanger (F). Make sure to line up (+) and (-) stickers on canopy cover plate (B) with stickers on driver plate (F).

8. Follow steps on next page to complete installation.



(Figure 1)

# ASSEMBLY & INSTALLATION INSTRUCTIONS

A625

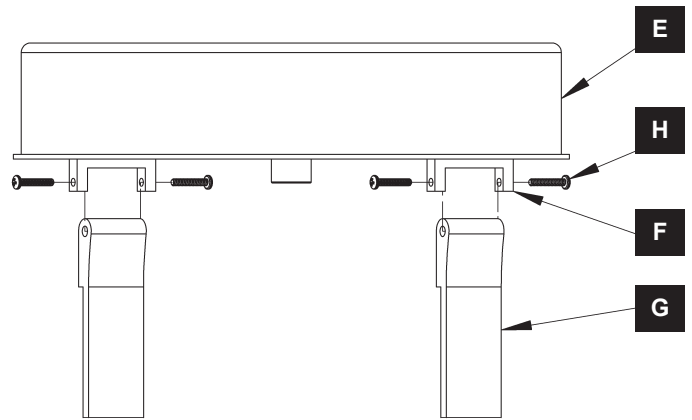
Belmont Pendant, 36" and 48" Tube, 131047, 131050

## To Install Fixture (Figure 2-4)

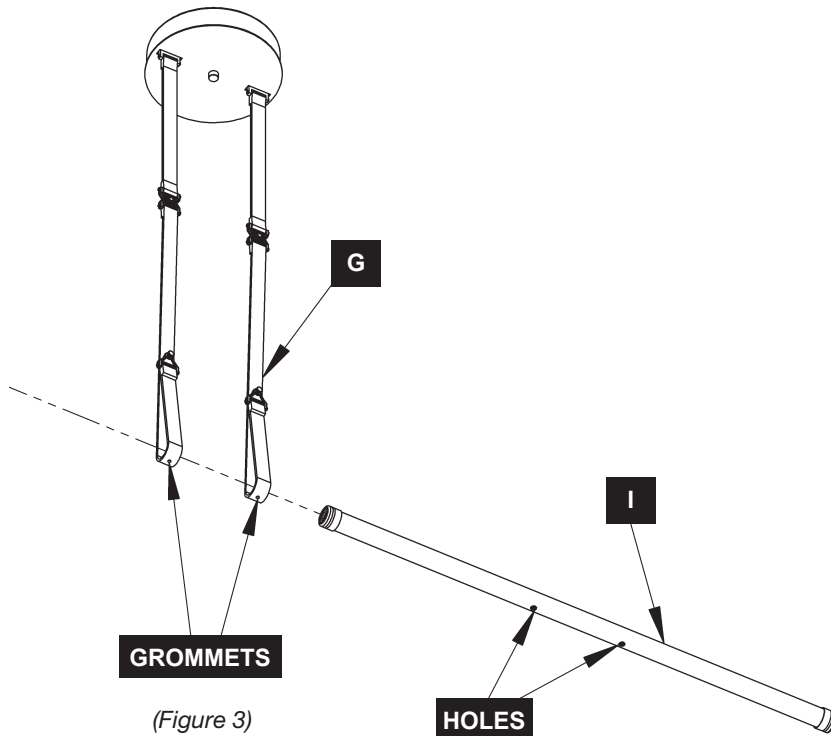
1. Locate remaining parts. Attach leather strap assemblies (G) to brass hangers (F) using brass screws (H). (Figure 2)
2. Unpack glass tube (I). Be careful as this is very fragile.
3. Insert glass tube (I) into loops in leather strap assemblies (G) until holes in tube line up with grommets on strap. Make sure to align (+) and (-) stickers on glass tube (I) with (+) and (-) brass hangers (F). (Figure 3)

**CAUTION:** IT IS THE RESPONSIBILITY OF THE INSTALLER TO SECURE GLASS TUBE (I) PER INSTRUCTIONS, FAILURE TO DO SO WOULD IMPLY THE RISK OF PERSONAL INJURY.

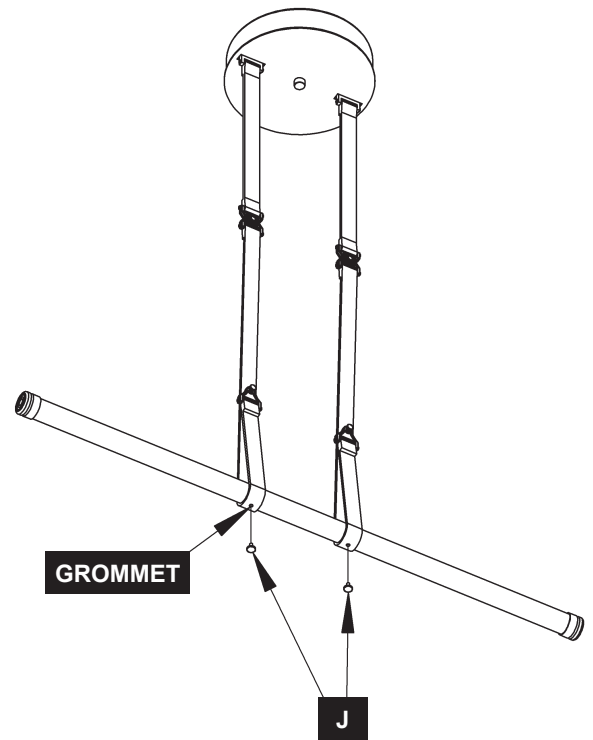
4. Secure glass tube (I) to leather strap assemblies (G) with thumb screws (J). (Figure 4)  
**Note:** A threaded plate is shipped installed on thumb screw (J). If fixture doesn't light correctly, it may be necessary to tighten threaded plate against grommet for a better connection.
5. See next page to adjust glass tube (I) if not level after installation.
6. Restore electricity at main breaker.



(Figure 2)



(Figure 3)



(Figure 4)

If you need further assistance, or find that you are missing any parts, please contact the dealer from which you purchased this product. We hope you enjoy your fixture!

*\* Hubbardton Forge will not be liable for injury or damage caused by improper installation, lamping or use of this fixture.*



HUBBARDTON FORGE.

MODERN AMERICAN BLACKSMITHS | FINE, HAND CRAFTED LIGHTING  
CASTLETON, VERMONT USA | HUBBARDTONFORGE.COM

45381

4 OF 5

# ASSEMBLY & INSTALLATION INSTRUCTIONS

A625

Belmont Pendant, 36" and 48" Tube, 131047, 131050

## To Level Glass Tube (Optional)

After the fixture is installed you may find the glass tube is not level. Follow the steps below to adjust one strap lower than the other, up to a max of about 1/4 inch. This can be done after the fixture is installed with the power turned off.

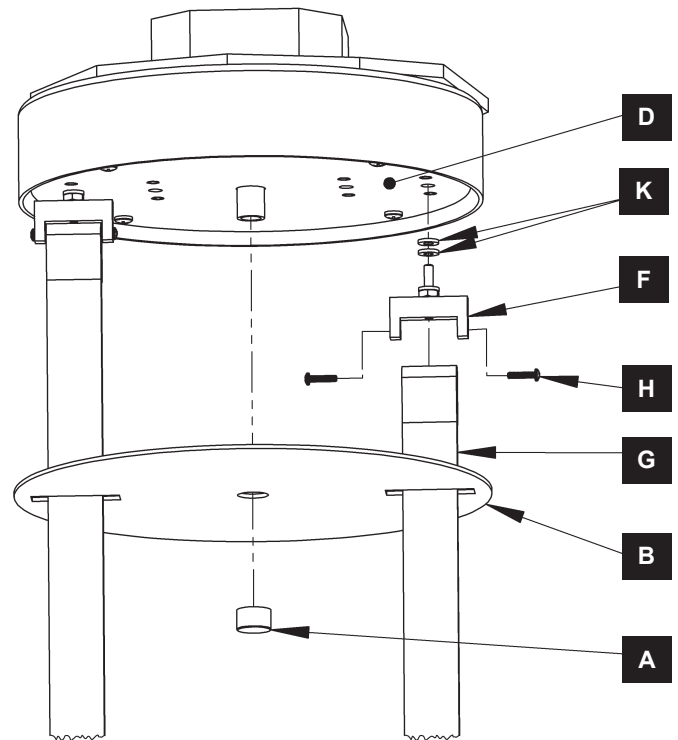
1. Turn off electricity at main breaker.
2. Carefully unthread knob (A) and lower canopy cover plate (B) until it is fully supported. Use care with leather straps.
3. Fully support leather strap assembly (G) on the side you wish to lower. Loosen and remove two brass screws (H) on the same strap.
4. Spin brass hanger (F) counter-clockwise to remove it from driver plate (D).
5. Add additional plastic washers (K) found in kit bag until you reach the desired height you wish to lower the strap. Note that a small height change at the strap will result in a relatively large height change at the end of glass tube (I).

**Note:** There must be a minimum of one plastic washer (K) on each brass hanger (F).

6. Thread brass hanger (F) into driver plate (D) until it becomes snug and lines up with slots in canopy cover plate (B).

**CAUTION:** DO NOT TIGHTEN BRASS HANGER (F) MORE THAN 1/2 TURN AFTER IT BECOMES SNUG. THERE IS POTENTIAL THIS CAN CAUSE A SHORT CIRCUIT.

7. Re-install brass screws (H) into leather strap assembly (G).
8. Re-install canopy cover plate (B) with knob (A).
9. Restore electricity at main breaker.



(Figure 5)

If you need further assistance, or find that you are missing any parts, please contact the dealer from which you purchased this product. We hope you enjoy your fixture!

\*Hubbardton Forge will not be liable for injury or damage caused by improper installation, lamping or use of this fixture.