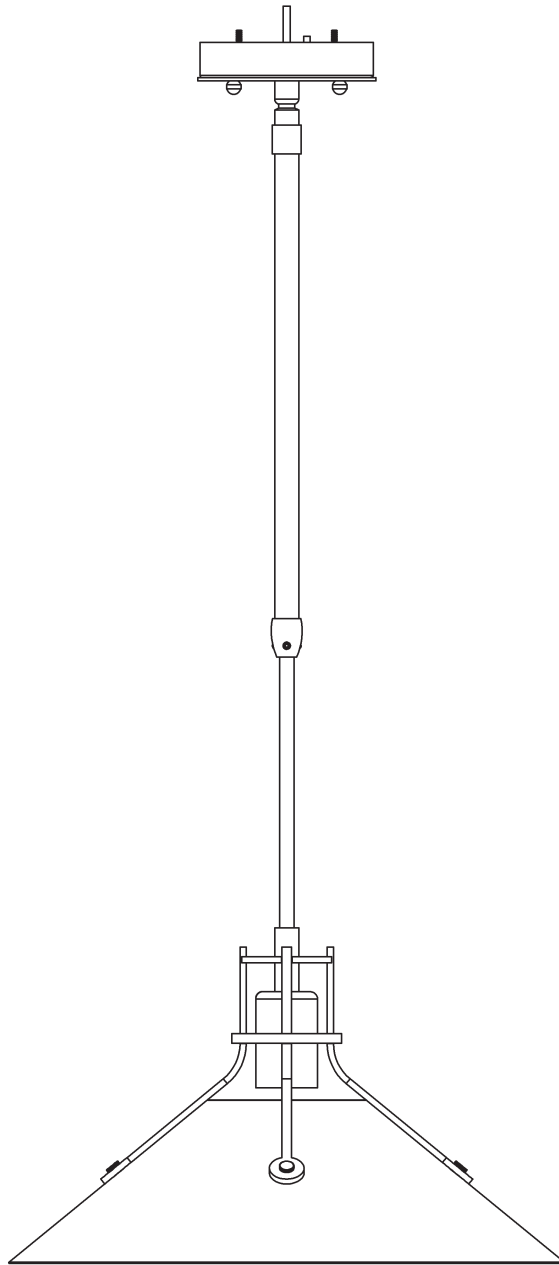


ASSEMBLY & INSTALLATION INSTRUCTIONS

A621

Henry Outdoor Pendant W/ Glass Shade, Med 363009



HUBBARDTON FORGE.

MODERN AMERICAN BLACKSMITHS | FINE, HAND CRAFTED LIGHTING
CASTLETON, VERMONT USA | HUBBARDTONFORGE.COM

Component Parts

A	Fixture
B	Glass Shade
C	Thumb Screw (4)
D	Barrel Nut (4)
E	Fixture Pipe
F	Crossbar
G	Threaded Stud (2)
H	Ground Screw
I	Knurled Ball (2)
J	Clutch
K	Set screw (3)
L	Canopy Pipe Assembly
M	Gasket
N	Bulb (not included)



ASSEMBLY & INSTALLATION INSTRUCTIONS

A621

Henry Outdoor Pendant W/ Glass Shade, Med 363009

CAUTION: FAILURE TO INSTALL THIS FIXTURE PROPERLY MAY RESULT IN SERIOUS PERSONAL INJURY OR DEATH AND PROPERTY DAMAGE. We recommend installation by a licensed electrician. This product must be installed in accordance with applicable installation code(s), by a person familiar with the construction and operation of the product and the hazards involved.*

Caution: Do not exceed maximum wattage noted on fixture. Use only recommended bulbs with fixture.

Caution: Damp location outdoor hanging fixtures are designed for use in covered spaces such as porches protected from prolonged exposure to water and wind. If installing in locations subject to wind the use of supplementary chains, cables, or similar restraints may be necessary to protect against swinging and twisting. If in doubt consult a qualified installer.

Please Note: After installation extra hardware and accessories are possible due to our kits are used on multiple products and options.

To Prepare Fixture (Figure 1)

CAUTION: BE SURE POWER IS OFF AT THE MAIN BREAKER BOX PRIOR TO INSTALLATION.

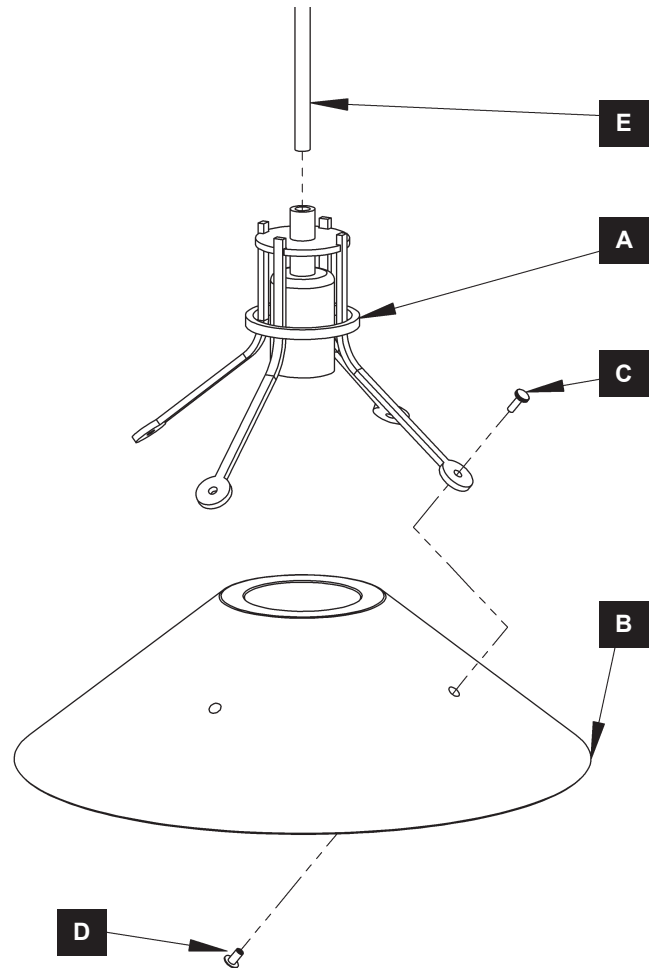
1. Carefully unpack fixture (A) and glass shade (B) from the carton.
2. Unscrew thumb screw (C) and barrel nut (D) from fixture (A). Repeat for all thumb screws.
3. Carefully place fixture (A) onto glass shade (B) and line up holes.
4. Insert barrel nut (D) under glass shade (B) and thread thumb screw (C) from top side of fixture (A).

Note: Do not completely tighten thumb screw (C) and barrel nut (D) until all four are in place.

5. Repeat step 4 in a criss-cross pattern until all thumb screws (C) and barrel nuts (D) are in place.
6. Hand tighten the thumb screws (C) to secure glass shade (B) to fixture (A).
7. Run wires through fixture pipe (E) threaded end first. Apply a drop of the supplied thread locking compound to the threads of the fixture pipe (E) and thread pipe into the fixture (A), being careful not to twist or pinch the wires.

Note: Application of the thread locking compound is necessary to prevent the pipe from loosening during regular maintenance and cleaning of the fixture. Be certain to apply the compound.

8. Follow steps on next page to complete installation.



(Figure 1)

ASSEMBLY & INSTALLATION INSTRUCTIONS

A621

Henry Outdoor Pendant W/ Glass Shade, Med 363009

To Install Fixture (Figure 2,3)

1. Locate remaining parts. Slip wires from fixture pipe (E) through canopy pipe assembly (L).
2. Slide canopy pipe assembly (L) down fixture pipe (E) until desired fixture height is reached. It may be necessary to loosen set screws (K). Tighten all 3 set screws (K) in clutch (J) evenly with hex wrench provided to set the height.
3. Locate crossbar (F). Thread threaded studs (G) into appropriate locations that align with the holes in the canopy pipe assembly (L). Threaded studs (G) should be threaded into the same side of the crossbar (F) as the ground screw (H).
4. Using two machine screws (not provided), fasten the crossbar (F) to the electrical box with threaded studs (G) pointing downward.

Note: A new electric box comes with screws. When replacing a fixture, retain the existing screws for use with the new fixture.

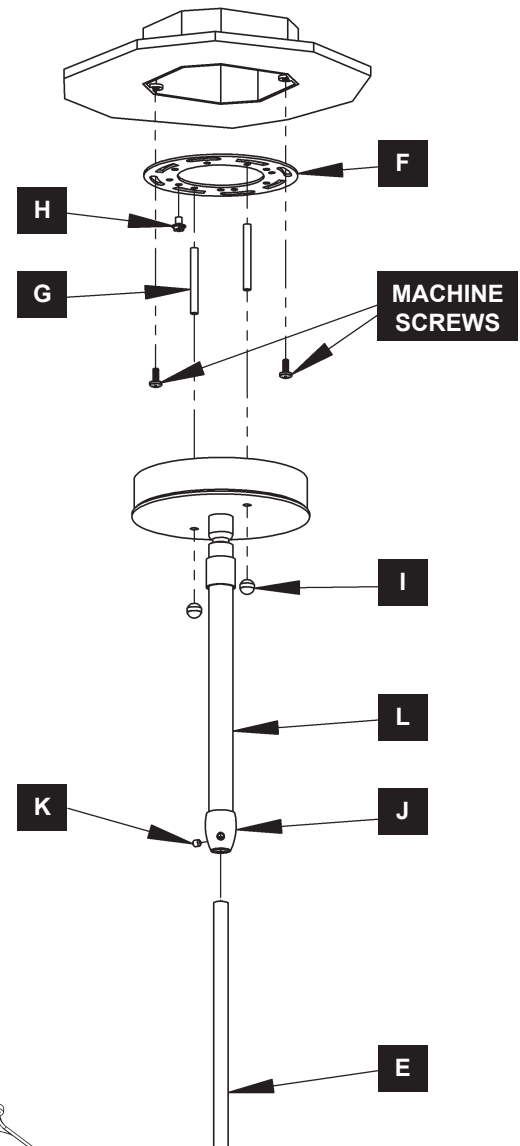
5. Attach a pigtail lead to ground screw (H). Hold fixture close to ceiling; using suitable wire connectors (not provided) connect fixture wires to supply wires (white to white or ribbed and black to black or smooth). Connect all ground wires (bare copper or green to bare copper or green).

CAUTION: MAKE SURE WIRE CONNECTORS ARE TWISTED ON SECURELY AND NO BARE WIRE IS EXPOSED.

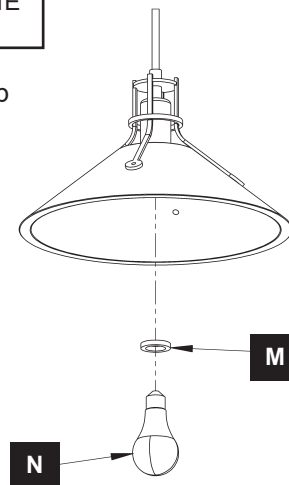
6. Slide canopy pipe assembly (L) over threaded studs (G) and push firmly to ceiling. Fasten with knurled balls (I). Be sure studs (G) are fully seated in the knurled balls (I).

CAUTION: BE SURE NO WIRES ARE PINCHED BETWEEN THE CANOPY AND THE CEILING.

7. Install gasket (M) onto bulb (N) (not Included), then install bulb into fixture (A).
8. Restore electricity at main breaker.



(Figure 2)



(Figure 3)