

Assembly & Installation Instructions

Knot Pendant 151073

A584



Assembly & Installation Instructions

Knot Pendant 151073

A584

Component Parts

- A** **Crossbar**
- B** **Canopy**
- C** **Collar**
- D** **Set Screw**
- E** **Spring**
- F** **Ground Screw**



vermont
modern
BY HUBBARDTON FORGE

Assembly & Installation Instructions

Knot Pendant 151073

CAUTION: FAILURE TO INSTALL THIS FIXTURE PROPERLY MAY RESULT IN SERIOUS PERSONAL INJURY OR DEATH AND PROPERTY DAMAGE. We recommend installation by a licensed electrician. This product must be installed in accordance with applicable installation code(s), by a person familiar with the construction and operation of the product and the hazards involved.*

Caution: Do not exceed maximum wattage noted on fixture. Use only recommended bulbs with fixture.

Please Note: After installation extra hardware and accessories are possible; our kits are used on multiple products.

To Install Canopy (Figure 1)

CAUTION: BE SURE POWER IS OFF AT THE MAIN BREAKER BOX PRIOR TO INSTALLATION.

1. Carefully unpack the fixture from the carton.
2. Using provided hex wrench, loosen set screw (D) located in collar (C). Slide collar and canopy (B) down spring (E) and out of the way.
3. Center crossbar (A) over the electrical box. Be sure to line up oval slots in bracket with mounting holes in electrical box.
4. Using two machine screws (not provided), fasten crossbar (A) to the electric box.

Note: Most electric boxes comes with screws. When replacing a fixture, retain the existing screws for use with the new fixture.

5. Using suitable wire connectors (not provided) connect fixture wires to supply wires (white to white and black to black). Attach a pigtail lead to crossbar (A) using ground screw (F). Connect all ground wires (bare copper or green to bare copper or green) together.

Caution: Be sure wire connectors are twisted on securely, and no bare wire is exposed.

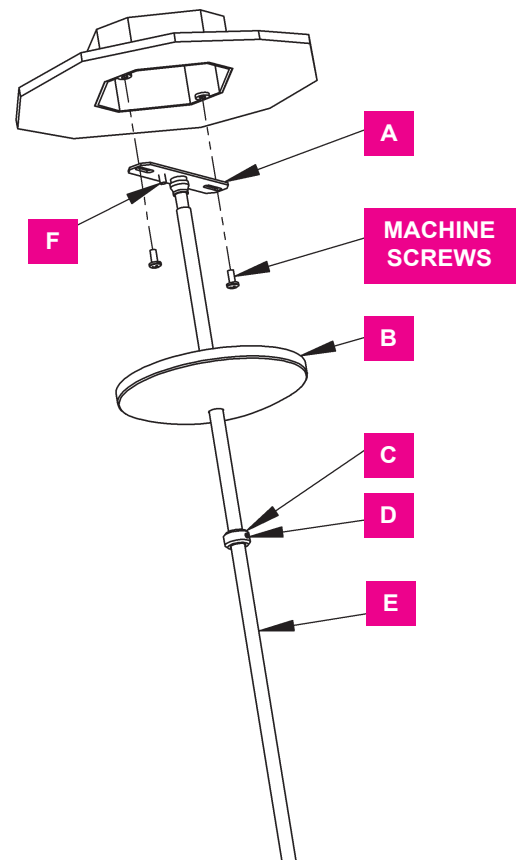
6. Slide canopy (B) and collar (C) up spring (E) until the canopy is flush with the ceiling. Tighten set screw (D) to secure canopy in place.

Caution: Be sure no wires are pinched between the canopy (B) and the ceiling.

7. Get creative by forming a knot with the spring!

Note: Visit our website (vermontmodern.com) for creative knot ideas.

8. Install bulb and restore electricity at the main breaker.



If you need further assistance, or find that you are missing any parts, please contact the dealer from which you purchased this product. We hope you enjoy your fixture!

* Vermont Modern / Hubbardton Forge will not be liable for injury or damage caused by improper installation, lamping or use of this fixture.