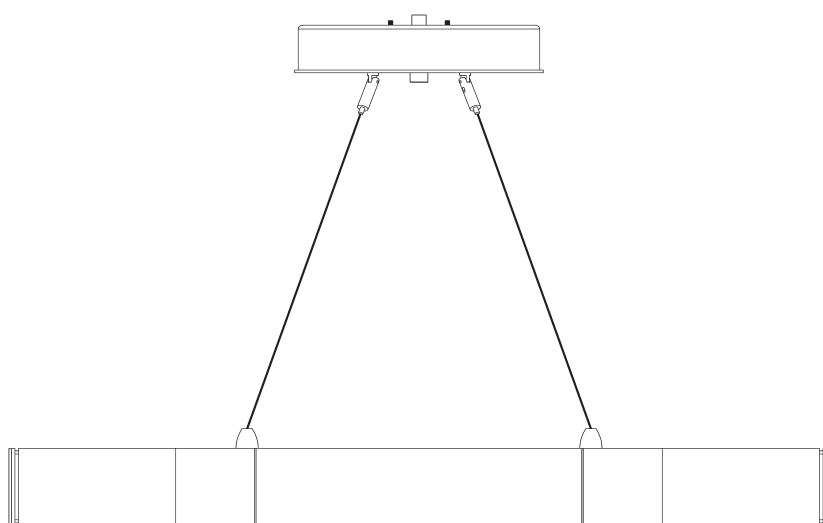


Assembly & Installation Instructions

Aura Halogen Pendant 138587

A582



HUBBARDTON FORGE.

MODERN AMERICAN BLACKSMITHS | FINE, HAND CRAFTED LIGHTING
CASTLETON, VERMONT USA | HUBBARDTONFORGE.COM

42958

Assembly & Installation Instructions

A582

Aura Halogen Pendant 138587

Component Parts

A	Canopy
B	Canopy Cover Plate
C	Cap
D	Nut
E	Nipple
F	Fixture
G	Gripper (4)
H	Supply/Support Cable (4)
I	Flat Head Screw (6)
J	Bulb Cover assembly (6)
K	Bulb (supplied) (6)
L	(Socket)
M	Glass (6)

Assembly & Installation Instructions

A582

Aura Halogen Pendant 138587

To Complete Installation (Figure 3)

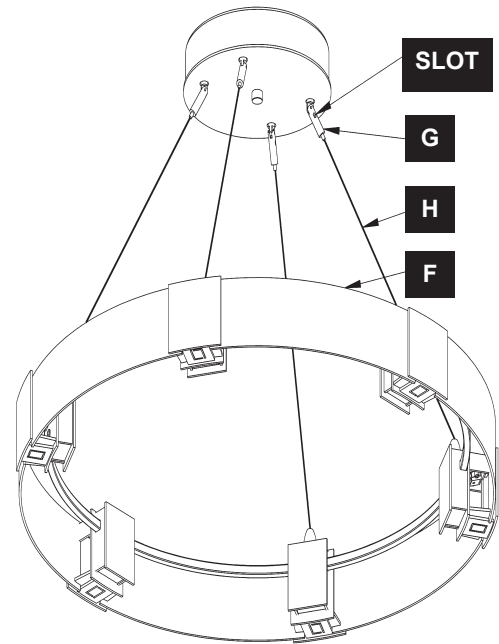
1. Align (+) and (-) labels on fixture (F) with (+) and (-) labels on canopy.
2. Insert cable (H) into gripper (G) until cable sticks through the slot in the side of the gripper (G).
3. Repeat with remaining cables (H).
4. Continue pulling cables (H) through grippers (G) until correct fixture height is achieved. Adjust height of fixture (F), making sure to keep fixture level.

Note: If fixture needs to be lowered, push down on top of the canopy gripper to release cable.

5. Once desired height of the fixture (F) is achieved, cut off the excess cable (H) as close to the gripper (G) as possible.

CAUTION: BE SURE THAT NO PIECE OF THE SUPPORT CABLE IS TOUCHING THE FIXTURE

CAUTION: ONCE EXCESS CABLE IS CUT, FIXTURE CANNOT BE LOWERED



(Figure 2)

Assembly & Installation Instructions

A582

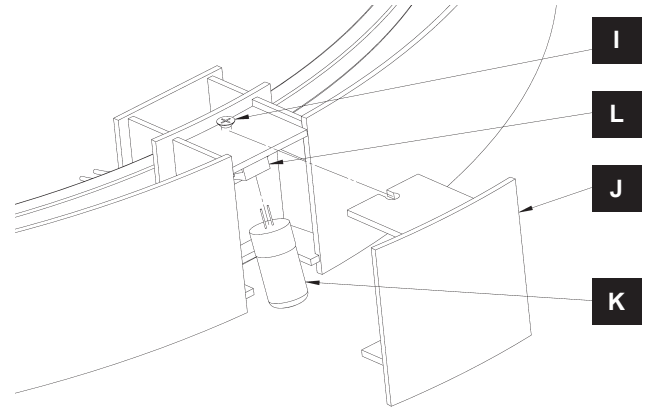
Aura Halogen Pendant 138587

To Install Bulb & Glass

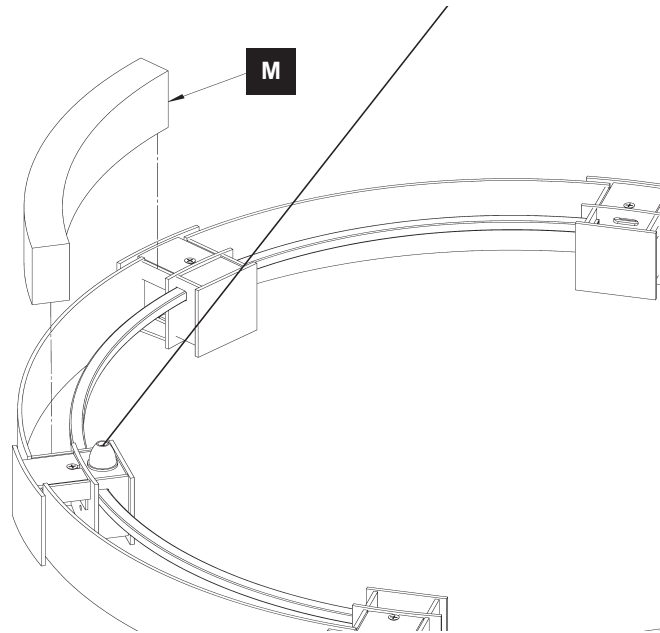
1. Loosen flat head screw (I) and slip bulb cover assembly (J) from fixture.
2. Install bulb (K) (supplied).
3. Install bulb cover assembly (J) and tighten flat head screw (I).
4. Repeat steps for all six bulb locations.

Figure 4

5. Slip glass (M) into slots in fixture between bulb locations.
6. Repeat for all six locations.
7. Restore electricity at the main breaker.



(Figure 3)



(Figure 4)

If you need further assistance, or find that you are missing any parts, please contact the dealer from which you purchased this product. We hope you enjoy your fixture! * *Vermont Modern / Hubbardton Forge will not be liable for injury or damage caused by improper installation, lamping or use of this fixture.*