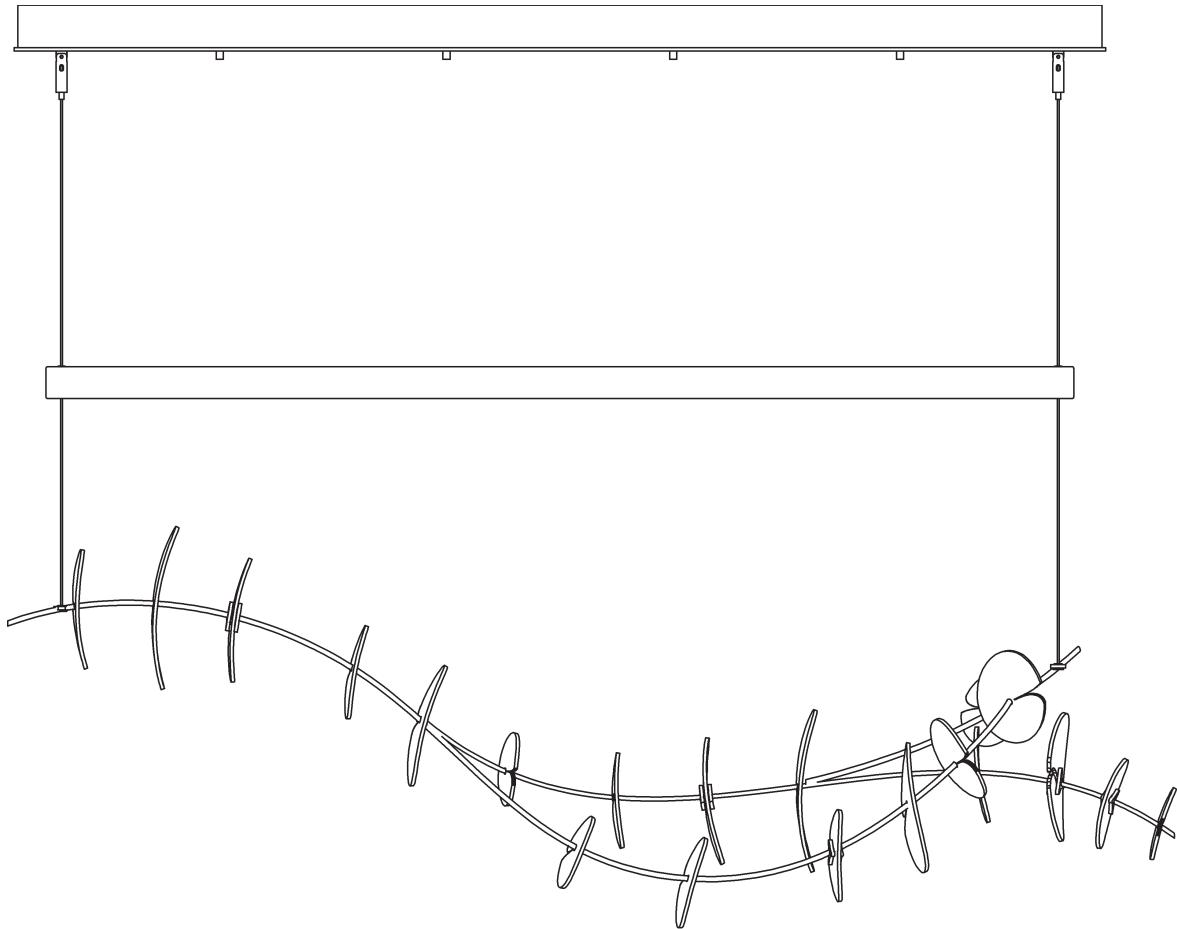


ASSEMBLY & INSTALLATION INSTRUCTIONS

A527

Lily Pendant 139812



HUBBARDTON FORGE.

MODERN AMERICAN BLACKSMITHS | FINE, HAND CRAFTED LIGHTING
CASTLETON, VERMONT USA | HUBBARDTONFORGE.COM

Lily Pendant 139812

Component Parts

A	Canopy	P	Grommets (2)
B	Mounting Bracket	Q	Driver
C	Anchor (4)	R	Threaded Stud (4)
D	#10 Wood Screws (4)	S	Standoff (4)
E	Safety Cable	T	Cable Bushing (2)
F	Ground Screw	U	Small Glass Accent (7)
G	Cupped Washer	V	Medium Glass Accent (10)
H	Safety Cable Screw	W	Large Glass Accent (3)
I	Grippers (2)	X	Thumb Screws (20)
J	Barrel Knobs (4)	Y	Attachment Plates (20)
K	Lightbar		
L	Fixture		
M	Supply/Support Cables (2)		
N	End Caps (2)		
O	LED Board		



ASSEMBLY & INSTALLATION INSTRUCTIONS

A527

Lily Pendant 139812

CAUTION: FAILURE TO INSTALL THIS FIXTURE PROPERLY MAY RESULT IN SERIOUS PERSONAL INJURY OR DEATH AND PROPERTY DAMAGE. We recommend installation by a licensed electrician. This product must be installed in accordance with applicable installation code(s), by a person familiar with the construction and operation of the product and the hazards involved.*

Caution: Do not exceed maximum wattage noted on fixture. Use only recommended bulbs with fixture.

Please Note: After installation extra hardware and accessories are possible; our kits are used on multiple products.

To Attach to Ceiling *(Figure 1 - following page)*

CAUTION: BE SURE POWER IS OFF AT THE MAIN BREAKER BOX PRIOR TO INSTALLATION.

1. Carefully unpack the fixture from the carton.
2. Center the mounting bracket (B) over the electrical box. Be sure to line up oval slots in bracket with mounting holes in electrical box. With a pencil, mark the location of all mounting holes in the mounting bracket (B) on the ceiling.
3. Put the bracket down and drill 1/4" holes in the locations marked on the ceiling. Place the tapered end of the anchors (C) into the holes and gently tap them flush to the ceiling using a light weight hammer.
4. Thread the wires from the electrical box through the center hole in the mounting bracket (B) while moving the bracket into position.
5. Using two machine screws (not provided), fasten the mounting bracket (B) to the electric box using oval slots in center.

Note: A new electric box comes with screws. When replacing a fixture, retain the existing screws for use with the new fixture.

6. Using the #10 screws (D), screw the bracket (B) securely to the ceiling. Be careful not to over-tighten or strip the anchors (C).
7. Holding canopy (A) close to ceiling, use safety cable screw (H) from mounting kit to attach the safety cable (E) to mounting bracket (B). This is used to temporarily suspend canopy while making wiring connections.
8. Using suitable wire connectors (not provided) connect driver (Q) wires to supply wires (white to white and black to black). Attach a pigtail lead to mounting bracket (B) using the ground screw (F) and cupped washer (G), found in mounting kit. Connect all ground wires (bare copper or green to bare copper or green) together.

CAUTION: Make sure wire connectors are twisted on securely and no bare wires are exposed.

9. Thread studs (R) into standoffs (S) on mounting bracket (B).
10. Slip canopy (A) over grippers (I) and press canopy to ceiling.

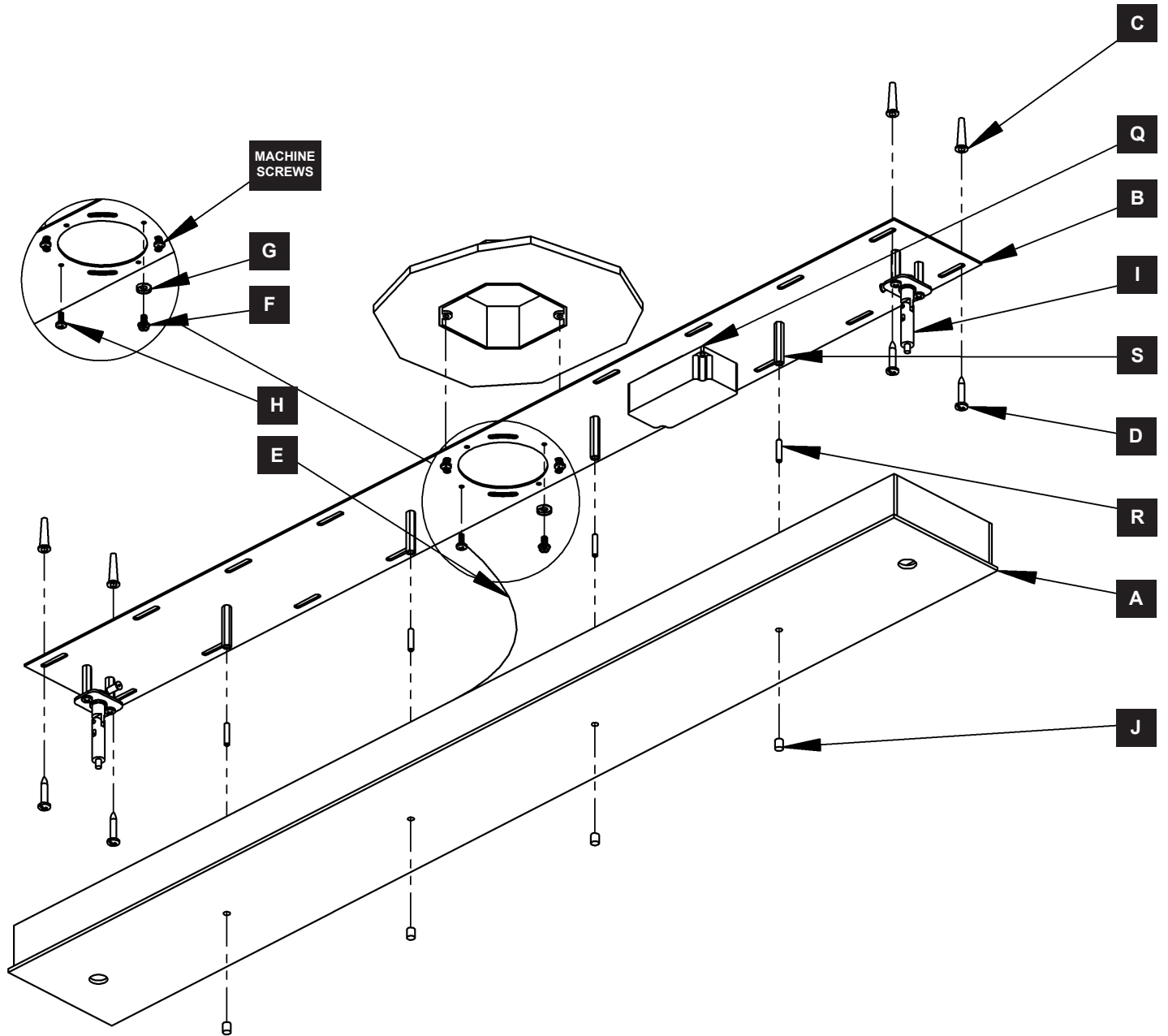
CAUTION: Be sure no wires are pinched between canopy (A) and the ceiling.

11. Secure canopy (A) by threading (4) barrel knobs (J), found in the kit bag, onto threaded studs (R).

continued

Lily Pendant 139812

To Attach to Ceiling (Figure 1) continued



(Figure 1)

continued

Lily Pendant 139812

To Hang Fixture (Figures 2 - 4)

1. Locate supply/support cables (M) with the cable bushings (T) installed.
2. Orient the fixture (L) as seen in Figure 3.
3. Place end of supply/support cable (M) through holes in fixture (L) and pull cable (M) through until bushing (T) rests in fixture (Figure 2).
4. Repeat for remaining supply/support cable (M).
5. Remove the velcro straps on the lightbar (K) and remove the LED board (O).
Note: The end caps (N) are shipped attached to the end of LED board. Shown in Figure 3.
6. Align the positive (+) and negative (-) labels on the LED Board (O) with the positive (+) and negative (-) labels on the grippers (I).
Note: The fixture can be hung either direction and either supply/support cable can be the (+) or (-) cable.
7. After choosing the desired orientation for fixture (L); run supply/support cable (M) through the end cap (N) and continue through the black grommet (P) in lightbar (K). Repeat step for remaining supply/support cable.
Note: It might be necessary to loosen set screws in end caps (N) to allow supply/support cable (M) to pass through.
Note: It might be necessary to turn the metal part of end caps (N) so the holes line up with lightbar (K).
8. Allow the LED board (O) and the lightbar (K) to rest on top of the fixture (L). Push the support/supply cable (M) from the positive (+) side of the LED Board (O) into the gripper (I) with the positive (+) label. Push the cable (M) in enough so that the cable exits the side of the gripper (I).
9. Repeat step 4 for the supply/support cable (M) on the negative side of the light bar (K).
10. Adjust fixture (L) to desired height by pushing the supply/support cables (M) into the gripper (I). If fixture (L) needs to be lowered, press in the plunger on the gripper (I) and pull the supply/support cables (M) out as much as needed.
11. Level the lightbar (K) and LED board (O). Figure 4 shows the design recommended height for the light bar to the fixture.
12. Using the provided hex wrench tighten the set screws in the end caps (N).
13. Once the fixture (L) is at the desired height, cut the supply/support cables (M) as close to the notch in the gripper (I) as possible.
Note: Once cables are cut the fixture (L) can no longer be lowered.

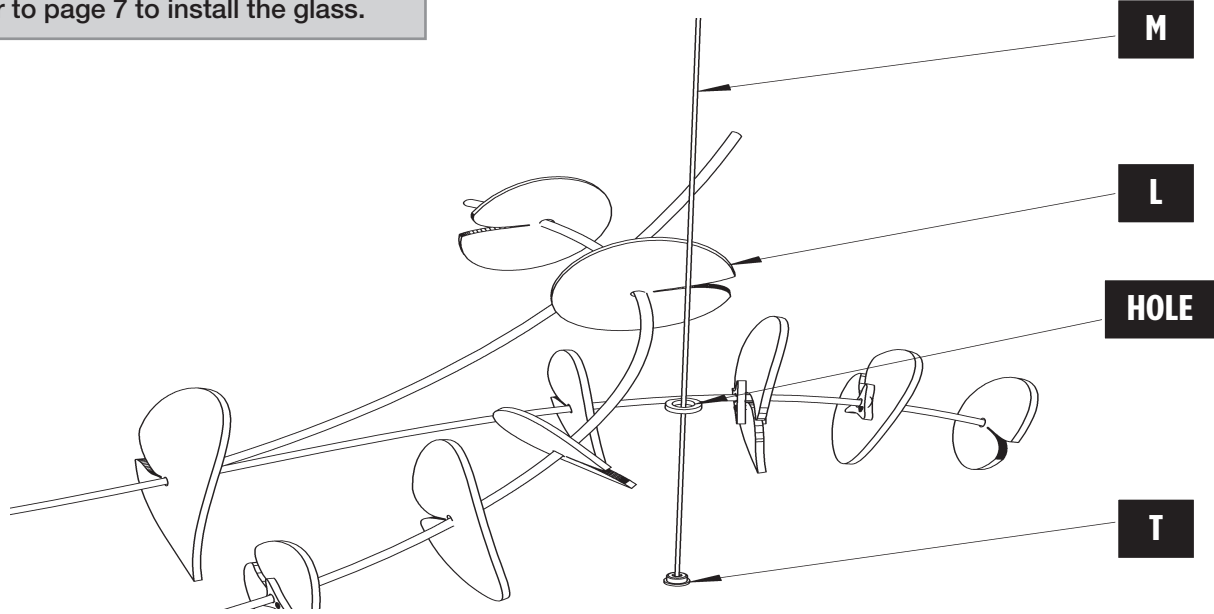
continued

ASSEMBLY & INSTALLATION INSTRUCTIONS

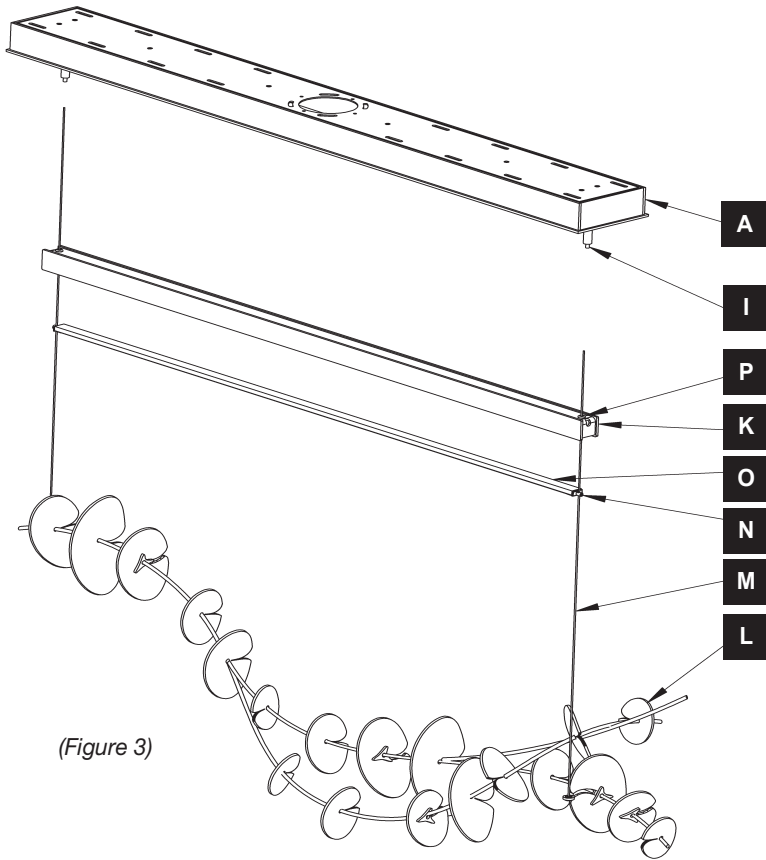
A527

Lily Pendant 139812

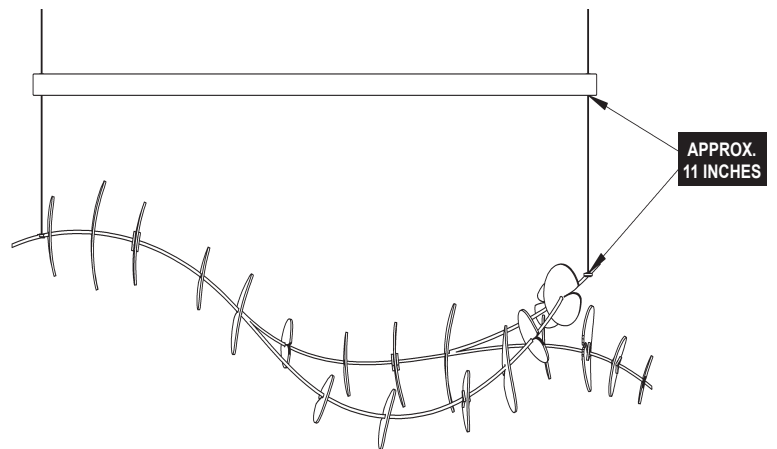
Please Note: If you purchased the glass version, please follow these instructions to hang the fixture, then refer to page 7 to install the glass.



(Figure 2)



(Figure 3)

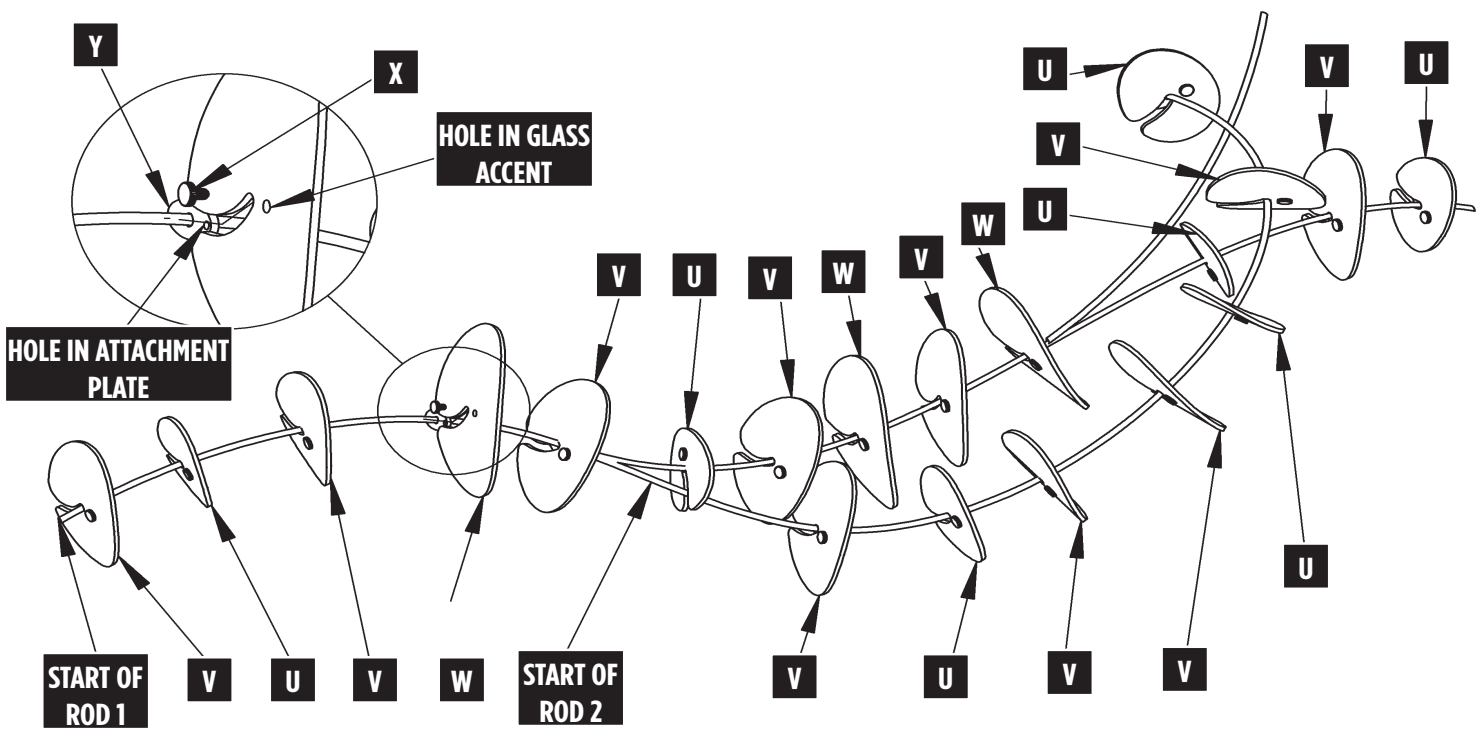


(Figure 4)

Lily Pendant 139812

To Install Glass (Figure 5)

1. Locate the small glass accents (U), medium glass accents (V) and large glass accents (W) along with the thumb screws (X) found in the kit bag.
2. To attach the glass accents (U,V,W) slide the accent onto the appropriate rod with the attachment plate (Y) to the inside of the glass accent. Line up the hole in glass accent with the hole in the attachment plate and secure with thumb screw (X).
3. Rod 1 and rod 2 shown in Figure 5 show the order for the glass accents.
4. Restore electricity at main breaker.



(Figure 5)

If you need further assistance, or find that you are missing any parts, please contact the dealer from which you purchased this product. We hope you enjoy your fixture!

*** Hubbardton Forge will not be liable for injury or damage caused by improper installation, lamping or use of this fixture.**