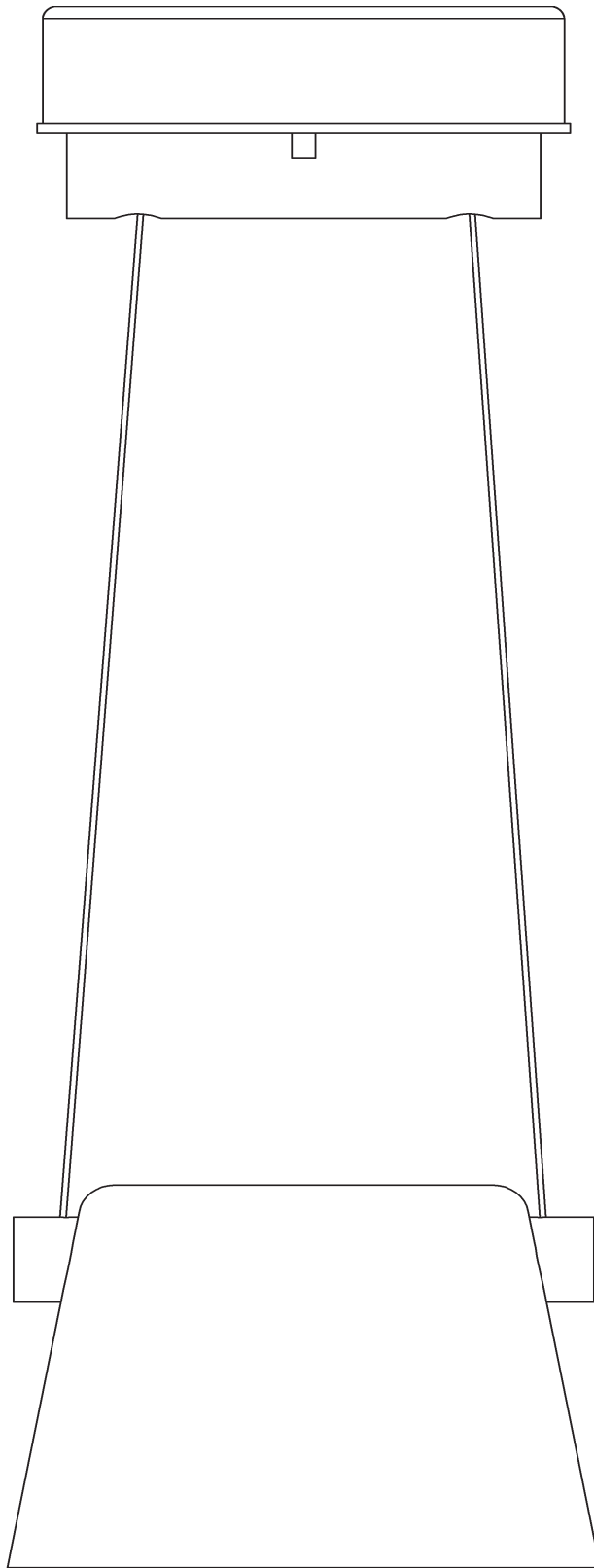


Assembly & Installation Instructions

Cowbell Mini Pendant 151060

A525



vermont
modern
BY HUBBARDTON FORGE

Castleton, Vermont USA | VERMONTMODERN.COM

40276

1 OF 5

Assembly & Installation Instructions

Cowbell Mini Pendant 151060

A525

Component Parts

- A** **Canopy**
- B** **Canopy Cover Plate**
- C** **Canopy Wood Rod**
- D** **Gripper Covers (2)**
- E** **Supply/Support Cables (2)**
- F** **Wood Rod**
- G** **Cowbell Glass**
- H** **Grippers (2)**
- I** **Cupped Washer**
- J** **Ground Screw**
- K** **Threaded Studs (2)**
- L** **Barrel Knobs (2)**



vermont
modern
BY HUBBARDTON FORGE

Assembly & Installation Instructions

Cowbell Mini Pendant 151060

CAUTION: FAILURE TO INSTALL THIS FIXTURE PROPERLY MAY RESULT IN SERIOUS PERSONAL INJURY OR DEATH AND PROPERTY DAMAGE. We recommend installation by a licensed electrician. This product must be installed in accordance with applicable installation code(s), by a person familiar with the construction and operation of the product and the hazards involved.*

Caution: Do not exceed maximum wattage noted on fixture. Use only recommended bulbs with fixture.

Please Note: After installation extra hardware and accessories are possible; our kits are used on multiple products.

To Install Canopy (Figure 1)

CAUTION: BE SURE POWER IS OFF AT THE MAIN BREAKER BOX PRIOR TO INSTALLATION.

1. Carefully unpack fixture from carton.
2. Remove plastic wrap from canopy (A) and remove canopy cover plate (B) with canopy wood rod (C) attached. Set aside for later use.
3. Thread the wires from the electrical box through the hole in canopy (A) while moving the canopy into position. Using two machine screws (not provided) attach the canopy (A) to the electrical box.

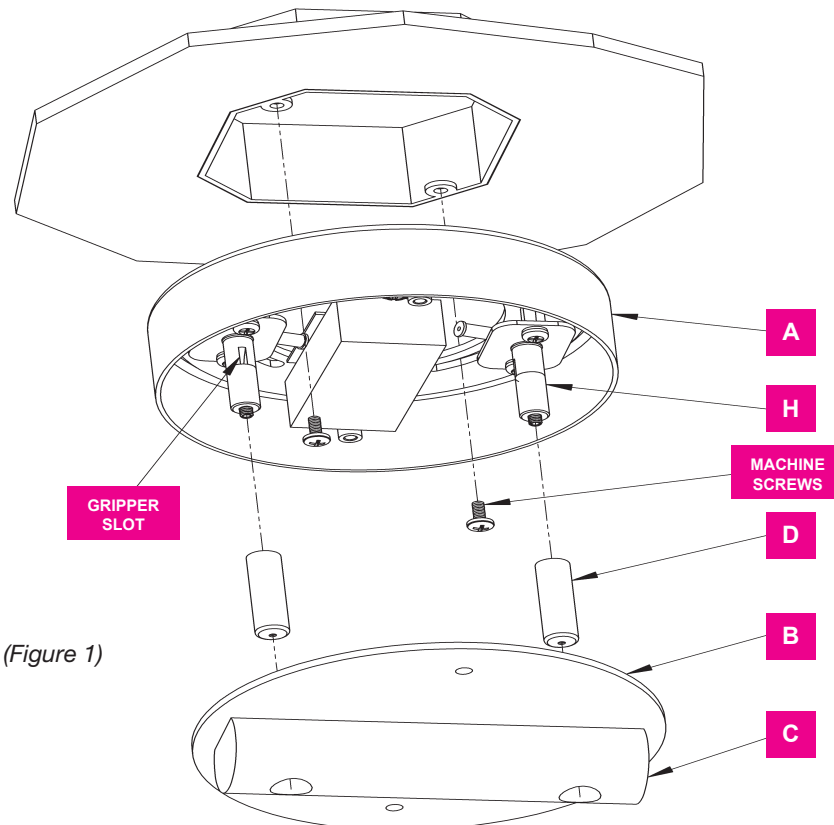
Note: A new electric box comes with screws. When replacing a fixture, retain the existing screws for use with the new fixture.

Note: Position the canopy (A) so that the grippers (H) are in line with the desired orientation of the fixture.

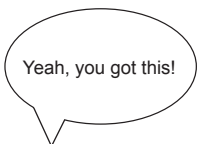
4. Using suitable wire connectors (not provided) connect supply wires to driver wires. (black to black and white to white)

Caution: Make sure wire connectors are twisted on securely, and no bare wire is exposed.

5. Remove gripper covers (D) and set aside for later use.



(Figure 1)



vermont
modern
BY HUBBARDTON FORGE

Castleton, Vermont USA | VERMONTMODERN.COM

40276

3 OF 5

Assembly & Installation Instructions

A525

Cowbell Mini Pendant 151060

To Install Fixture (Figures 2 & 3)

1. Uncoil supply/support cables (E) coming from wood rod (F).
2. Unpack cowbell glass (G) and feed one supply/support cable (E) through both holes in cowbell glass (G) starting from the outside and push wood rod (F) through cowbell glass (G) until the glass rests on the wood rod (F) with a supply/support cable (E) on each side of cowbell glass (G) (Figure 3).
3. Align the (+) label on the wood rod (F) with the (+) label on the canopy wood rod (C) attached to canopy cover plate (B). Feed the supply/support cables through the holes in canopy wood rod (C) until the canopy cover plate (B) rests on top of cowbell glass (G).
4. Slide the gripper cover (D) with the (+) label over the (+) supply/support cable (E) and the other gripper cover (D) over the second supply/support cable (E).
5. Align (+) supply/support cable (E) with (+) gripper (H) and push cable through gripper until the cable sticks through the slot in the side of the gripper (H).
6. Push second supply/support cable (E) into the second gripper (H) and adjust both cables (E) until desired height of the cowbell glass (G) is reached.

Note: If the cowbell glass (G) needs to be lowered, push down on the plunger of gripper (H) to release cable.

7. Once desired height of cowbell glass (G) is reached cut the excess of supply/support cables (E) as close to the slot in grippers (H) as possible.

Caution: Once excess supply/support cable (E) is cut, the glass cannot be lowered.

8. Slide gripper covers (D) up supply/support cables (E) and thread onto grippers (H).
9. Attach a pigtail ground lead to canopy (A) using the cupped washer (I) and ground screw (J) found in the kit bag.
10. Bring canopy cover plate (B) close to canopy (A) and connect all ground wires (bare copper or green to bare copper or green) together.

Caution: Make sure all wire connectors are twisted on securely, and no bare wires exposed.

11. Push canopy cover plate (B) over grippers (H) against canopy (A) and secure with threaded studs (K) and barrel knobs (L) being sure not to pinch any wires between the cover and canopy.

Note: Be sure that threaded studs (K) are fully seated in the barrel knobs (L).

12. Restore electricity as main breaker.

If you need further assistance, or find that you are missing any parts, please contact the dealer from which you purchased this product. We hope you enjoy your fixture!

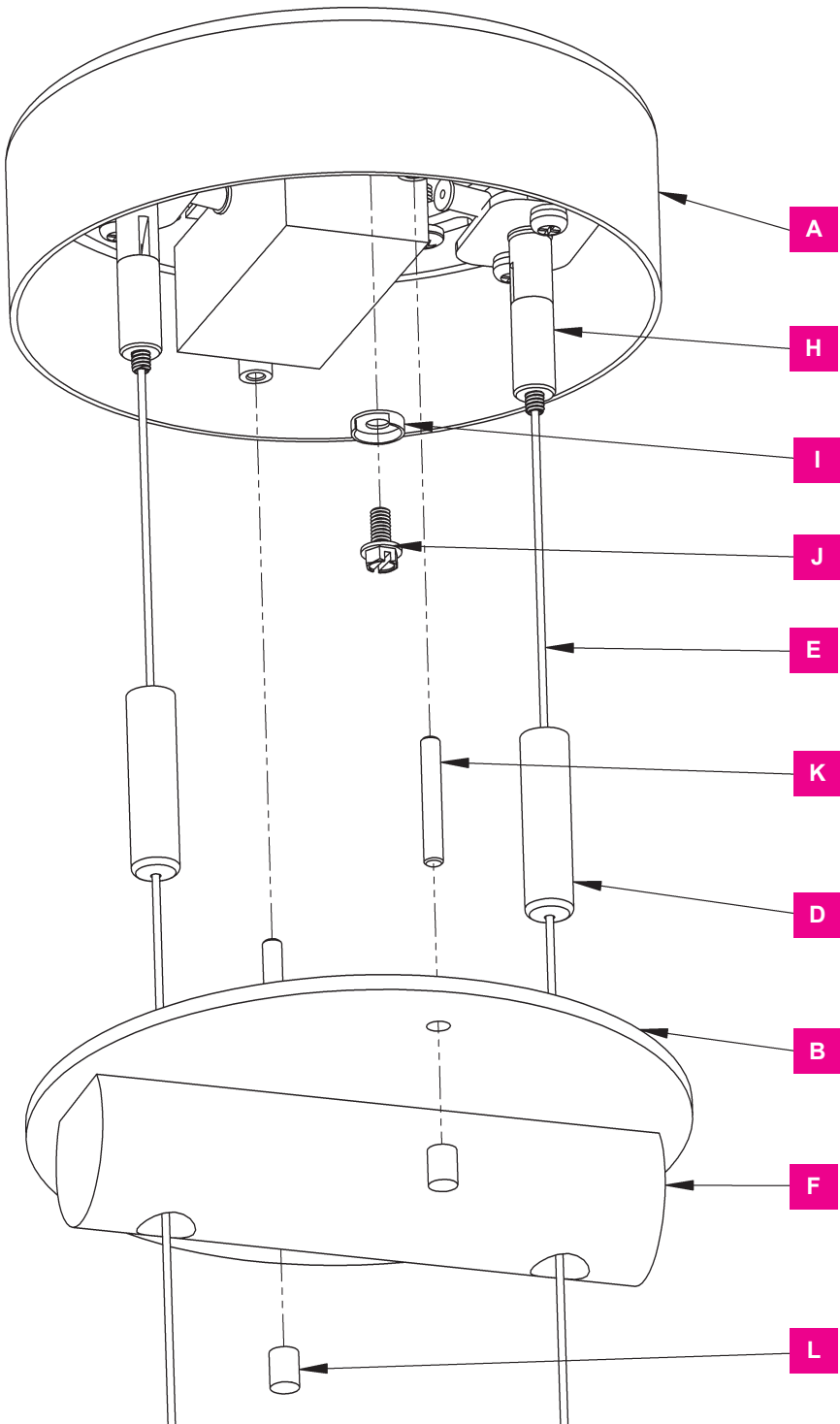
*** Vermont Modern / Hubbardton Forge will not be liable for injury or damage caused by improper installation, lamping or use of this fixture.**



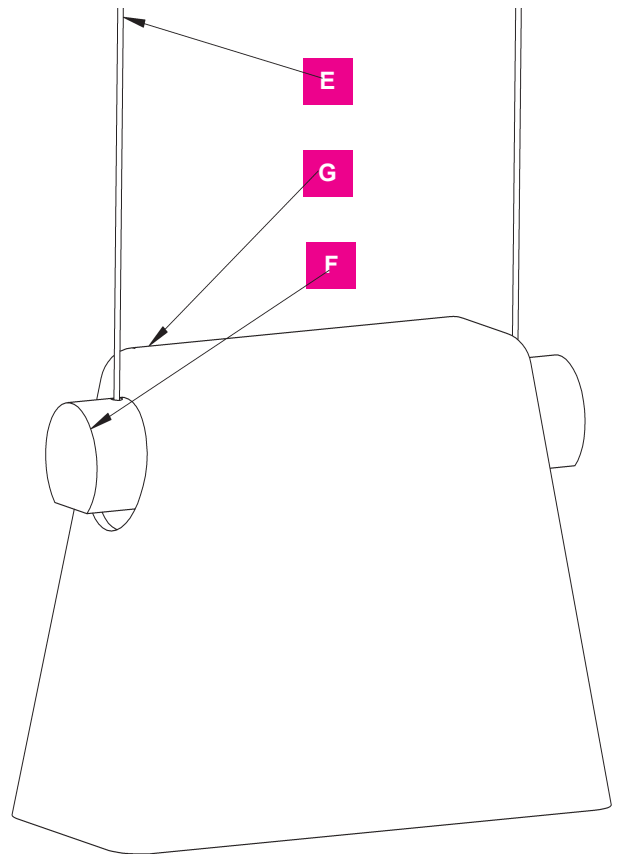
Assembly & Installation Instructions

Cowbell Mini Pendant 151060

A525



(Figure 2)



(Figure 3)