

A499

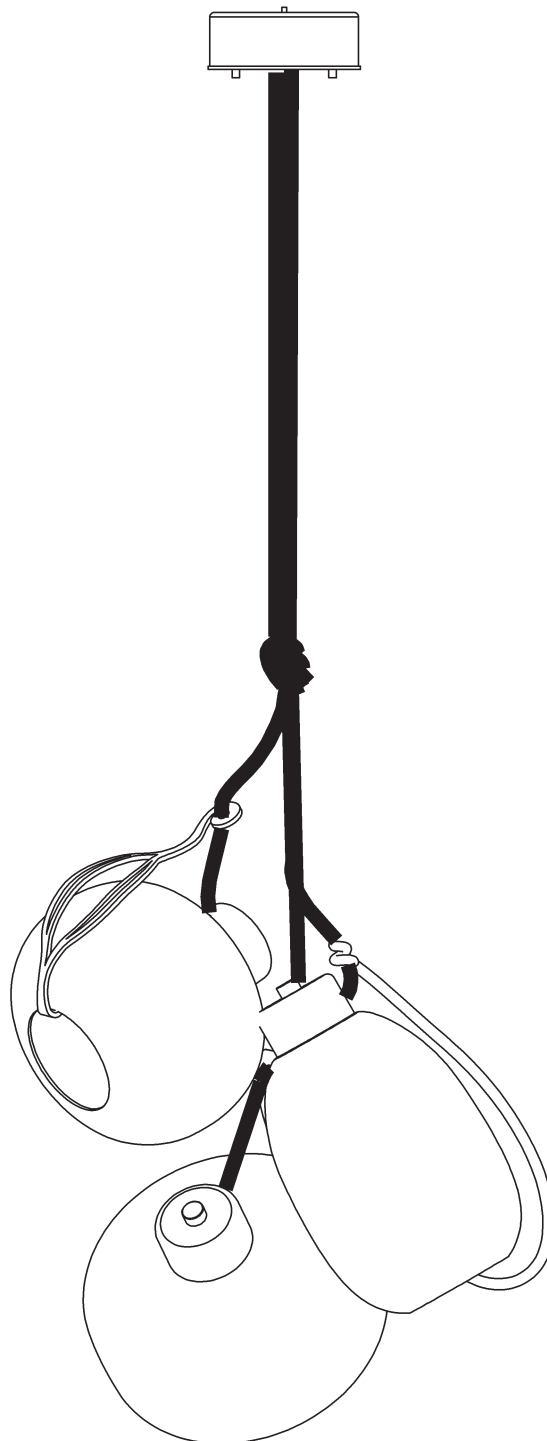


Assembly & Installation Instructions

Assembly & Installation Instructions

Hook, Vine & Sinker Pendant 134520

A499



Component Parts

- A. Canopy**
- B. Canopy Plate**
- C. Support/Ground Cable**
- D. Ground Screw (2)**
- E. Fixture Cord**
- F. Strain Relief**
- G. Threaded Stud (2)**
- H. Threaded Standoff (2)**
- I. Barrel Nut (2)**
- J. Socket**
- K. Decorative Element**
- L. Glass**
- M. Retaining Ring**
- N. Bulb (not included)**
- O. Cupped Washer**



Assembly & Installation Instructions

Hook, Vine & Sinker Pendant 134520

A499

CAUTION: FAILURE TO INSTALL THIS FIXTURE PROPERLY MAY RESULT IN SERIOUS PERSONAL INJURY OR DEATH AND PROPERTY DAMAGE. We recommend installation by a licensed electrician. This product must be installed in accordance with applicable installation code(s), by a person familiar with the construction and operation of the product and the hazards involved.*

Caution: Do not exceed maximum wattage noted on fixture. Use only recommended bulbs with fixture.

Please Note: After installation extra hardware and accessories are possible due to our kits are used on multiple products and options.

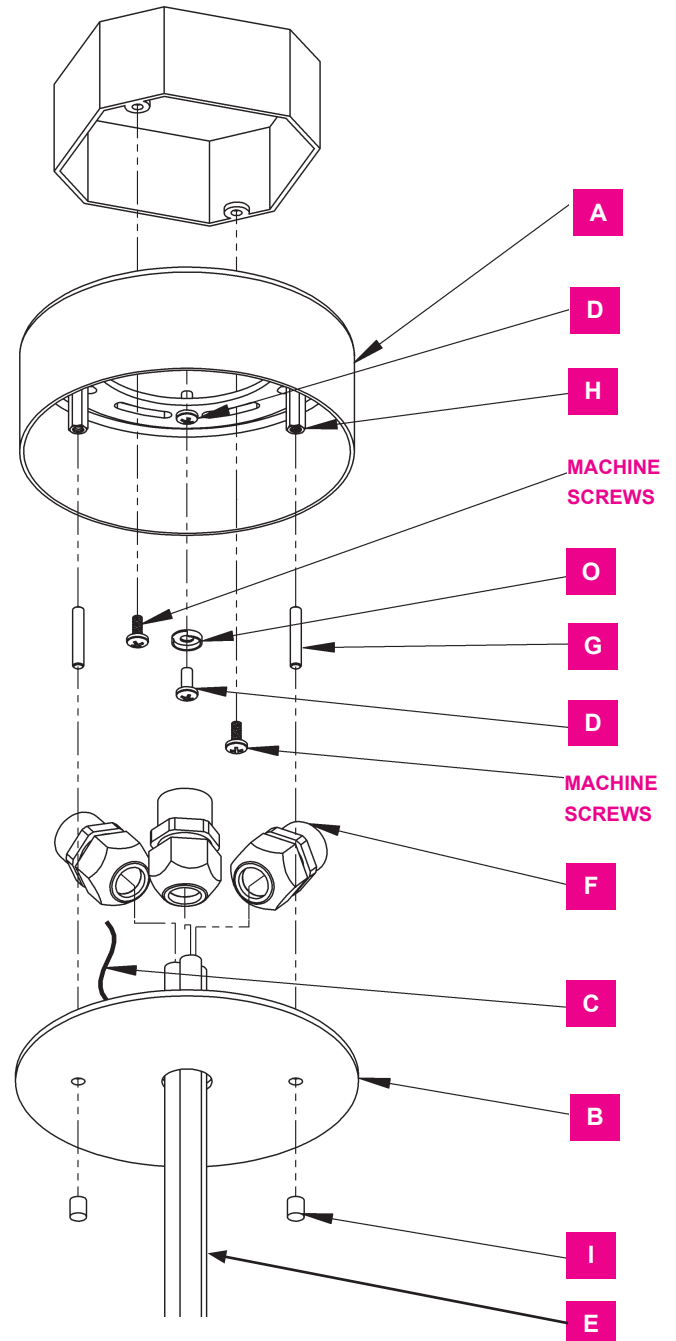
To Install Fixture (Figures 1, 2, 3 & 4)

CAUTION: BE SURE POWER IS OFF AT THE MAIN BREAKER BOX PRIOR TO INSTALLATION.

1. Carefully unpack the fixture from the carton.
2. Feed the wires in the electrical box through the hole in the canopy (A) while moving the canopy into position. Using two machine screws (not provided) fasten canopy (A) to the electrical box.
3. Spin threaded studs (G) into threaded standoffs (H), only a couple of turns.
4. There are 2 green ground screws (D) in the canopy (A). One is holding the cupped washer (O), the second is to attach the support/ground cable (C) attached to the canopy plate (B). Remove this ground screw (D) and attach support/ground cable (C). The safety cable also acts as a ground for the canopy plate (B). Attach a pig-tail lead from the ground screw (D) and cupped washer (O).
5. Feed the three ends of the fixture cords (E) through the center hole of the canopy plate (B).
6. Unscrew strain relief (F) to separate into two pieces. Slide both pieces over the end of fixture cord (E), removing only as much plastic sleeving as necessary. Repeat for other two fixture cords.

Note: A new electric box comes with screws. When replacing a fixture, retain the existing screws for use with the new fixture.

Note: We provide plastic sleeving for white and red cords only. We recommend that you keep the plastic sleeving on the cloth covered fixture cord until installation is complete.



(Figure 1)

Assembly & Installation Instructions

Hook, Vine & Sinker Pendant 134520

A499

CAUTION: FAILURE TO INSTALL THIS FIXTURE PROPERLY MAY RESULT IN SERIOUS PERSONAL INJURY OR DEATH AND PROPERTY DAMAGE. We recommend installation by a licensed electrician. This product must be installed in accordance with applicable installation code(s), by a person familiar with the construction and operation of the product and the hazards involved.*

Caution: Do not exceed maximum wattage noted on fixture. Use only recommended bulbs with fixture.

To Install Fixture (Figures 1, 2, 3 & 4) continued

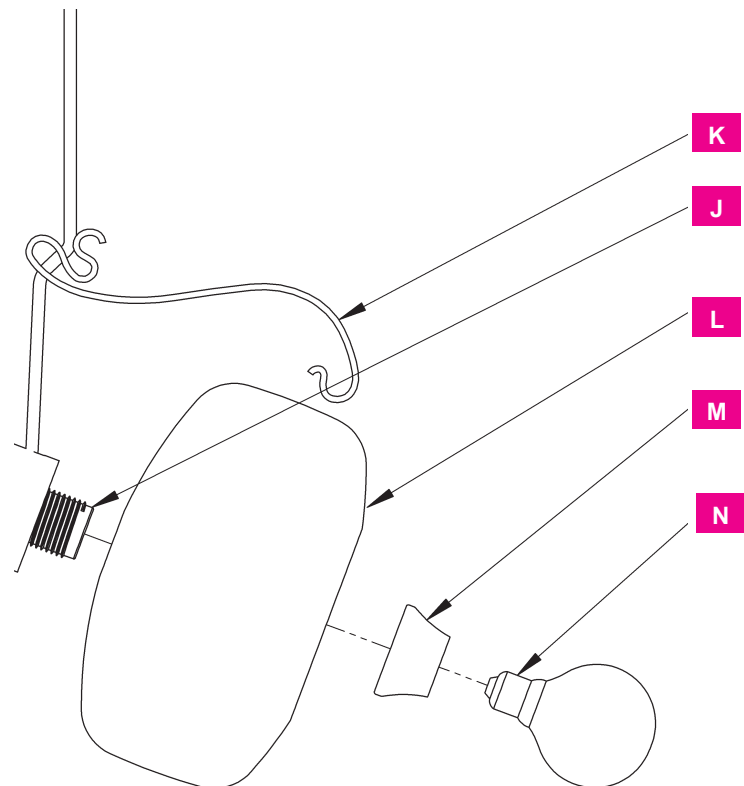
1. Determine desired height of fixture.
2. Adjust length of fixture cords (E) in strain reliefs (F) to set desired fixture height. To lock position, securely tighten the two pieces of strain relief (F) together using wrenches (not provided).
3. Cut excess fixture cord (E) leaving enough cord to make connections. Slide back outer braided sleeving, rubber shielding, and strip ends of wires. Repeat for other fixture cords (E). Be sure to leave enough fixture cord so that strain reliefs (F) can be maneuvered around to fit in canopy (A) and electrical box.

CAUTION: ONCE EXCESS CORD IS CUT, FIXTURE CANNOT BE LOWERED.

4. Attach a pigtail lead to the crossbar ground screw (D). Using suitable wire connectors (not provided) connect fixture wires to supply wires (white to white and black to black). Connect all ground wires (bare copper or green to bare copper or green) together.

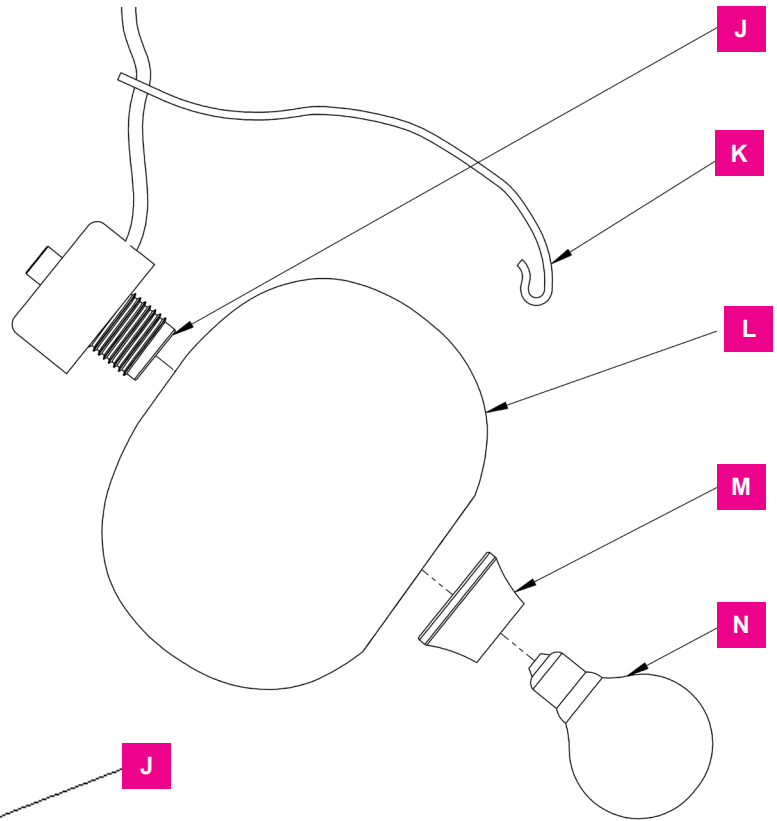
CAUTION: MAKE SURE WIRE CONNECTORS ARE TWISTED ON SECURELY, AND NO BARE WIRES ARE EXPOSED.

5. Push all connectors up into electrical box.
6. Slide canopy plate (B) over threaded studs and secure in place with barrel nuts (I).
7. Retaining ring (M) is shipped installed on the socket (J). Remove retaining ring (M). Slide glass (L) over socket (J) and secure in place with retaining ring (M).
8. Install bulb (N), not included.
9. Move decorative element (K) to hook over the bottom of the glass (L). It may be necessary to adjust the location of decorative element (K).
10. Remove any remaining plastic sleeving from the fixture cord (E).
11. Repeat steps 7 thru 10 for remaining two fixtures.
12. Restore electricity at main breaker.



(Figure 2)

(Figure 3)



(Figure 4)

