



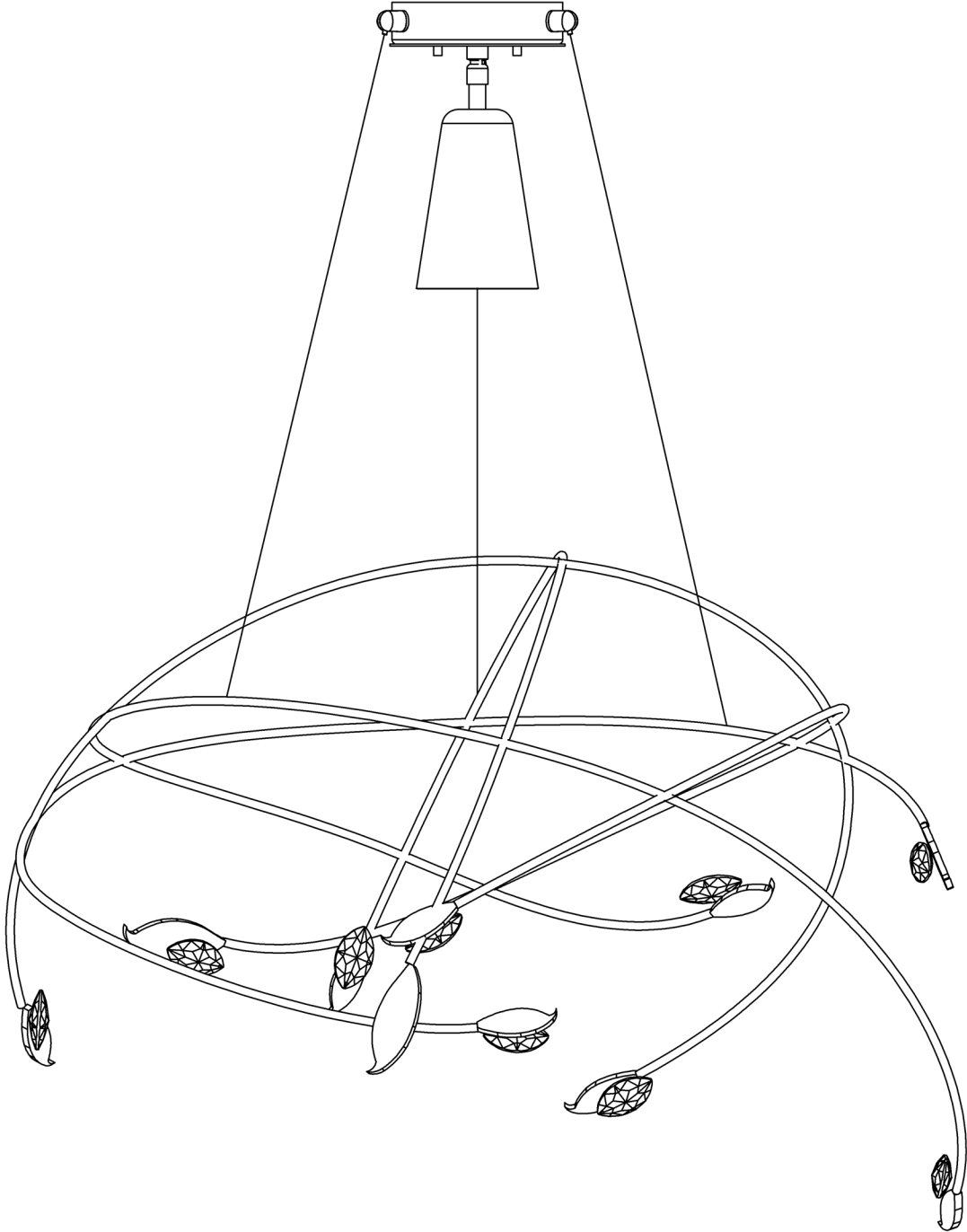
SYNCHRONICITY™

by Subhardton Forge®

ASSEMBLY & INSTALLATION INSTRUCTIONS

GAIA PENDANT 139827D

CONTENTS



COMPONENT PARTS

A	Crossbar
B	Ground Screw
C	Threaded Studs (3)
D	Canopy/Fixture
E	Barrel Nuts (3)
F	Bulb (not included)
G	Cable Gripper (3)
H	Cable (3)
I	Hanging Tabs
J	Decorative Element
K	Crystal Spring Clips (9)
L	Crystal (9)

CAUTION: FAILURE TO INSTALL THIS FIXTURE PROPERLY MAY RESULT IN SERIOUS PERSONAL INJURY OR DEATH AND PROPERTY DAMAGE. We recommend installation by a licensed electrician. This product must be installed in accordance with applicable installation code(s), by a person familiar with the construction and operation of the product and the hazards involved.*

CAUTION: Do not exceed maximum wattage noted on fixture. Use only recommended bulbs with fixture.

Please Note: After installation extra hardware and accessories are possible due to our kits are used on multiple products and options.

TO ATTACH TO CEILING (Figure 1)

CAUTION: BE SURE POWER IS OFF AT THE MAIN BREAKER BOX PRIOR TO INSTALLATION.

- Carefully unpack the fixture from the carton.
- Locate crossbar (A). Thread threaded studs (C) into appropriate locations that align with the holes in the canopy/fixture (D). Threaded studs (C) should be threaded into the same side of the crossbar (A) as the ground screw (B).
- Using two machine screws (not provided), fasten the crossbar (A) to the electric box with threaded studs (C) pointing downward (Figure 1).

Note: A new electric box comes with screws. When replacing a fixture, retain the existing screws for use with the new fixture.

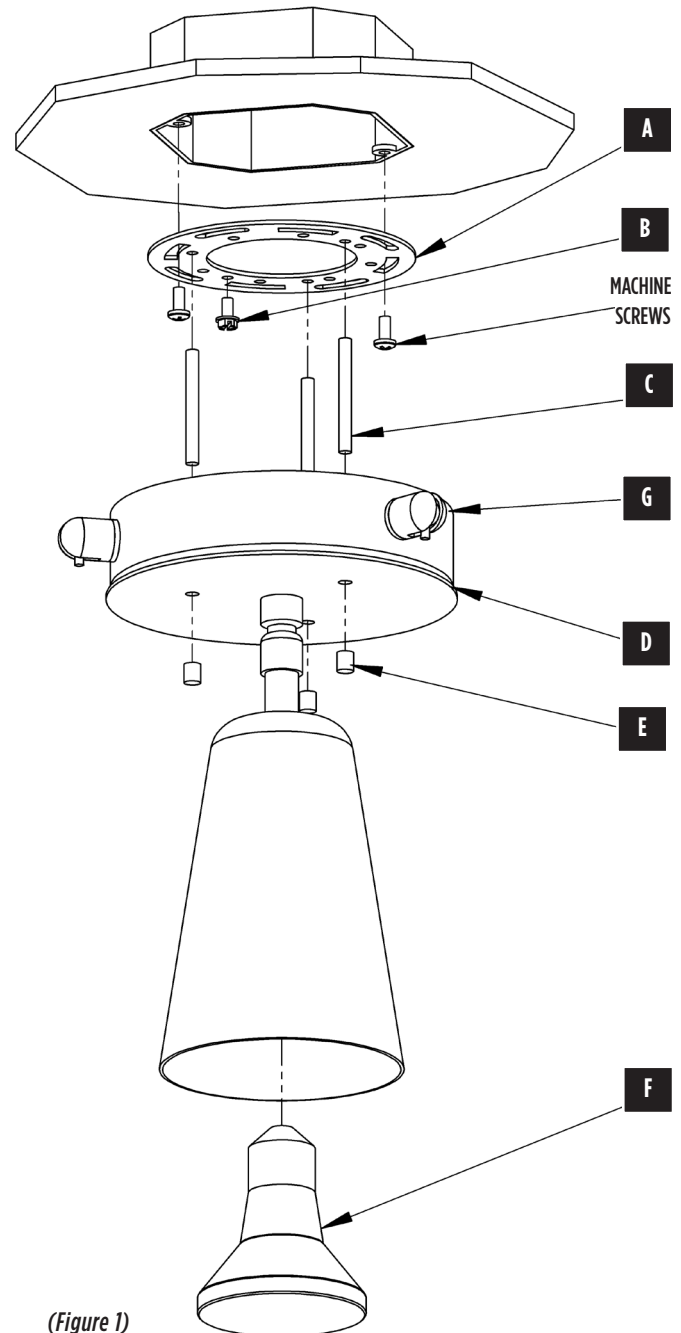
- Attach a pigtail lead to the crossbar ground screw (B). Using suitable wire connectors (not provided) connect canopy/fixture (D) wires to supply (white to white and black to black). Connect all ground wires (bare copper or green to bare copper or green).

CAUTION: MAKE SURE WIRE CONNECTORS ARE TWISTED ON SECURELY, AND NO BARE WIRES ARE EXPOSED.

- Slide canopy/fixture (D) over threaded studs (C) and push firmly to ceiling, making sure that no wires are pinched between canopy/fixture (D) and ceiling. Fasten with barrel nuts (E). Be sure studs (C) are fully seated in the barrel nuts (E).

CAUTION: BE SURE NO WIRES ARE PINCHED BETWEEN THE CANOPY (D) AND THE CEILING.

- Install bulb (F) (not provided).



(Figure 1)

CONTINUED

CAUTION: FAILURE TO INSTALL THIS FIXTURE PROPERLY MAY RESULT IN SERIOUS PERSONAL INJURY OR DEATH AND PROPERTY DAMAGE. We recommend installation by a licensed electrician. This product must be installed in accordance with applicable installation code(s), by a person familiar with the construction and operation of the product and the hazards involved.*

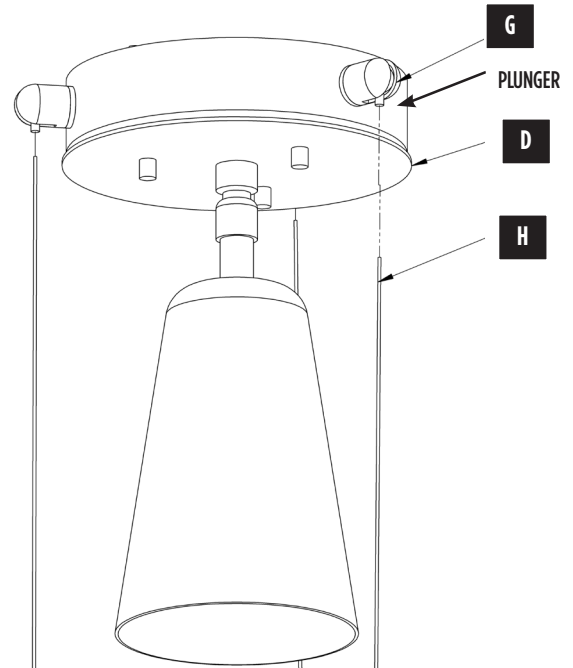
CAUTION: Do not exceed maximum wattage noted on fixture. Use only recommended bulbs with fixture.

Please Note: After installation extra hardware and accessories are possible due to our kits are used on multiple products and options.

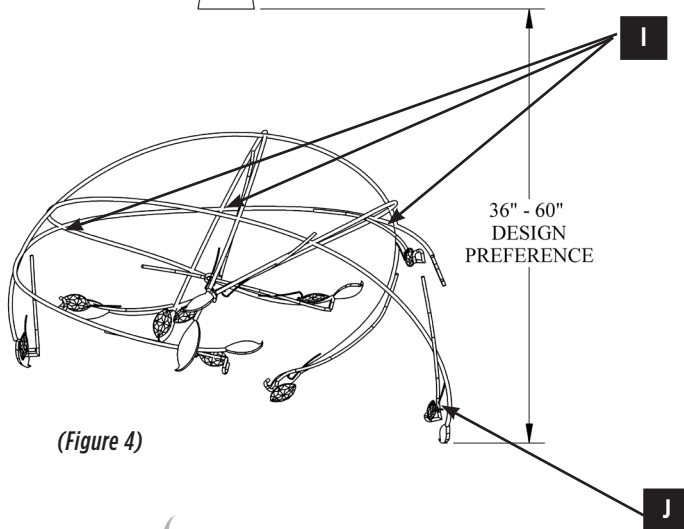
TO HANG FIXTURE (Figures 2, 3 & 4)

1. Feed cable (H) through hanging tab (I) and then through cable gripper (G). Repeat for two other cables (H).
2. Adjust cable heights so that the decorative element (J) is hanging at the desired level. See figure 4 for designers preference. To adjust height support the weight of the fixture, press in plunger on cable gripper (G) and adjust cables (H) as desired.
3. Cut Cables (H) as close to gripper (G) as possible.

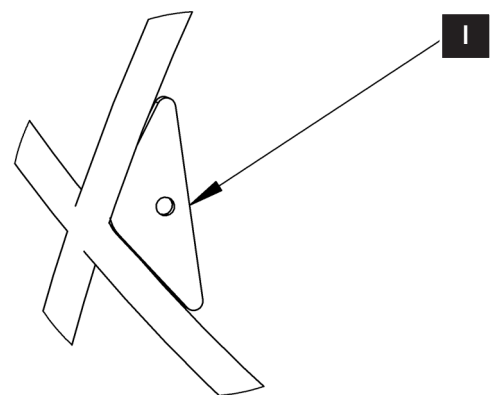
Note: Once cables are cut the fixture can no longer be lowered.



(Figure 2)



(Figure 4)



(Figure 3)

CAUTION: FAILURE TO INSTALL THIS FIXTURE PROPERLY MAY RESULT IN SERIOUS PERSONAL INJURY OR DEATH AND PROPERTY DAMAGE. We recommend installation by a licensed electrician. This product must be installed in accordance with applicable installation code(s), by a person familiar with the construction and operation of the product and the hazards involved.*

CAUTION: Do not exceed maximum wattage noted on fixture. Use only recommended bulbs with fixture.

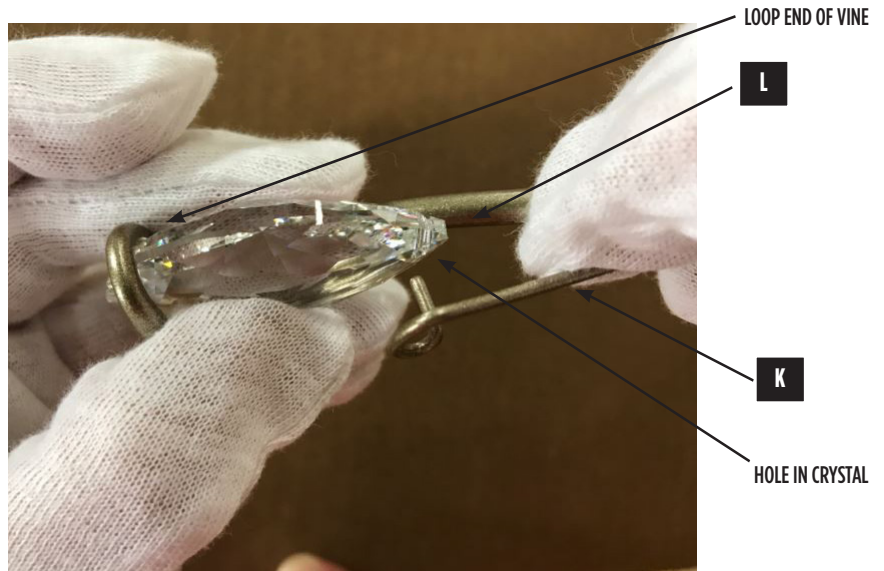
Please Note: After installation extra hardware and accessories are possible due to our kits are used on multiple products and options.

TO INSTALL CRYSTALS (Figures 5 & 6)

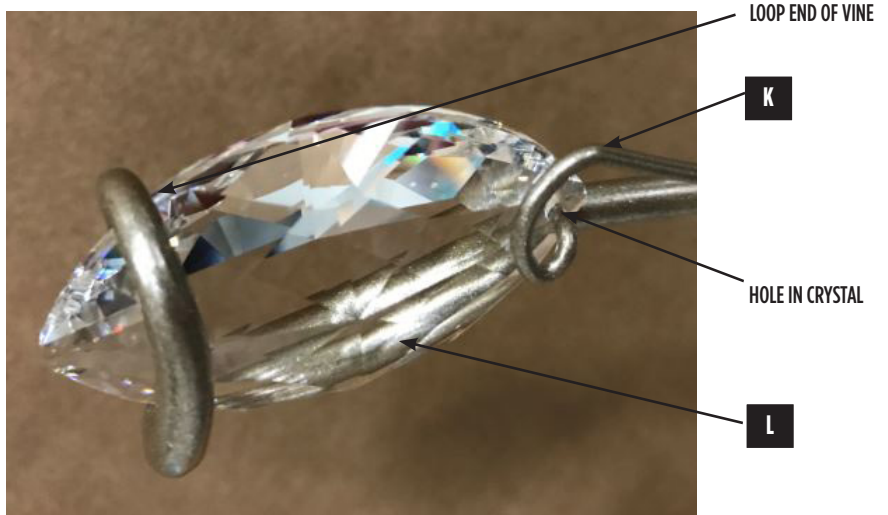
1. Locate the crystals (L) and white gloves.

Note: : Using white gloves while handling the crystals (L) will prevent smudges.

2. Place the end of the crystal (L) without the hole into the loop end of the vine.
3. Gently flex the crystal spring clip (K) and align the hole in the crystal (L) with the end of the crystal spring clip (K). Release the crystal spring clip (K) so that it sits inside the hole in the crystal (L).
4. Repeat steps 2 & 3 for the remaining crystals (L).
5. If necessary use the provided white gloves to polish the crystals (L).
6. Restore electricity at the main breaker.



(Figure 5)



(Figure 6)

If you need further assistance, or find that you are missing any parts, please contact the dealer from which you purchased this product. We hope you enjoy your fixture! *Synchronicity / Hubbardton Forge will not be liable for injury or damage caused by improper installation, lamping or use of this fixture.