

A481

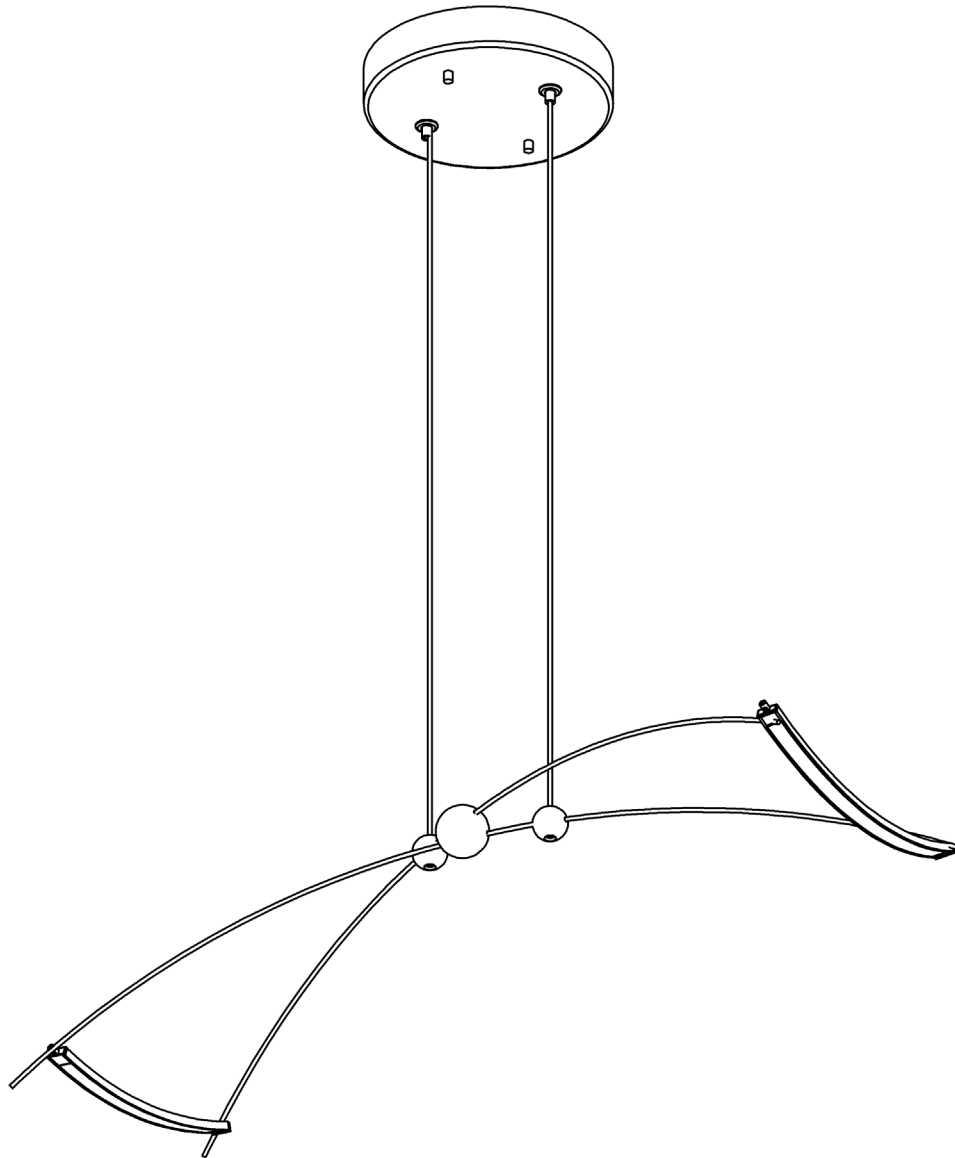


Assembly & Installation Instructions

Assembly & Installation Instructions

Copernicus Single Pendant 151050

A481



151050 Copernicus Pendant

Assembly & Installation Instructions

Copernicus Single Pendant 151050

A481

Component Parts

A	Crossbar
B	Canopy
C	Grommet (2)
D	Gripper (2)
E	Driver
F	Threaded Knob (2)
G	Small Wooden Ball (2)
H	Stainless Steel Rod (2)
I	LED Assembly (2)
J	Bent Rod (2)
K	Set Screw (2)



vermont
modern
BY HUBBARDTON FORGE

Castleton, Vermont USA | VERMONTMODERN.COM

37228

Assembly & Installation Instructions

Copernicus Single Pendant 151050

CAUTION: FAILURE TO INSTALL THIS FIXTURE PROPERLY MAY RESULT IN SERIOUS PERSONAL INJURY OR DEATH AND PROPERTY DAMAGE. We recommend installation by a licensed electrician. This product must be installed in accordance with applicable installation code(s), by a person familiar with the construction and operation of the product and the hazards involved.*

Caution: Do not exceed maximum wattage noted on fixture. Use only recommended bulbs with fixture.

Please Note: After installation extra hardware and accessories are possible due to our kits are used on multiple products and options.

To Install Canopy (Figures 1 & 2)

CAUTION: BE SURE POWER IS OFF AT THE MAIN BREAKER BOX PRIOR TO INSTALLATION.

- Carefully unpack fixture from carton.
- Using two machine screws (not provided), fasten the crossbar (A) to the electric box.
Note: Position the crossbar (A) so that the grippers (D) are in line with the desired direction of fixture.

Note: A new electric box comes with screws. When replacing a fixture, retain the existing screws for use with the new fixture.

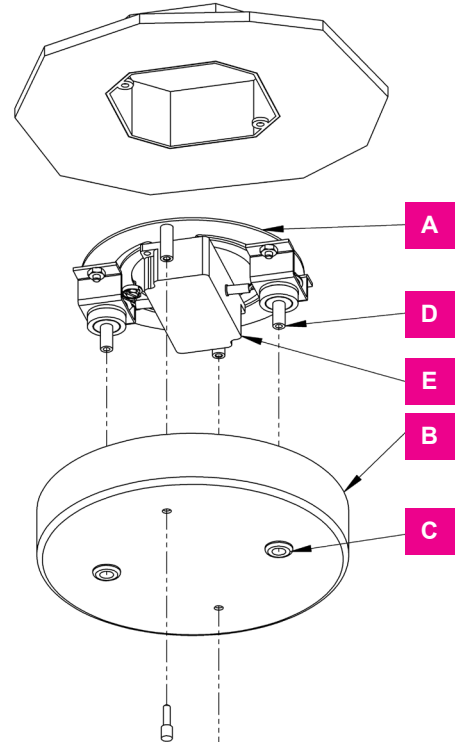
- Using suitable wire connectors (not provided) connect driver wires to supply (white to white and black to black). Connect all ground wires (bare copper or green to bare copper or green).

CAUTION: MAKE SURE WIRE CONNECTORS ARE TWISTED ON SECURELY, AND NO BARE WIRE IS EXPOSED.

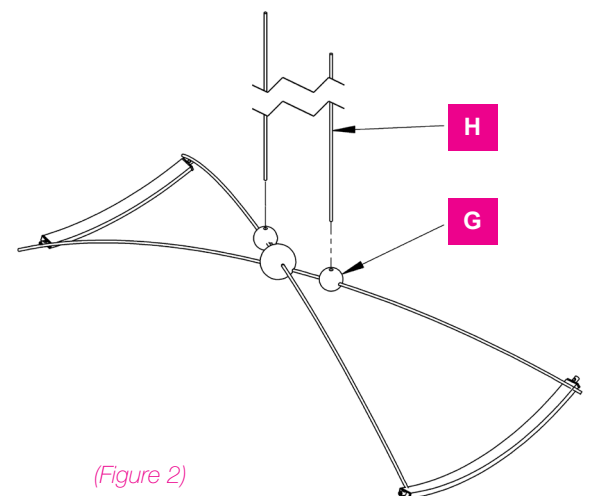
- Align grommets (C) with grippers (D). Slide canopy (B) over grippers (D) and push firmly to ceiling, making sure no wires are pinched between canopy (B) and ceiling.
- Fasten with threaded knobs (F).
- Thread the stainless steel rods (H) into the top of the small wooden balls (G).

Note: See Figure 2 for Orientation.

- Follow steps on following page to complete installation.



(Figure 1)



(Figure 2)

Yeah, you got this!



vermont
modern
BY HUBBARDTON FORGE

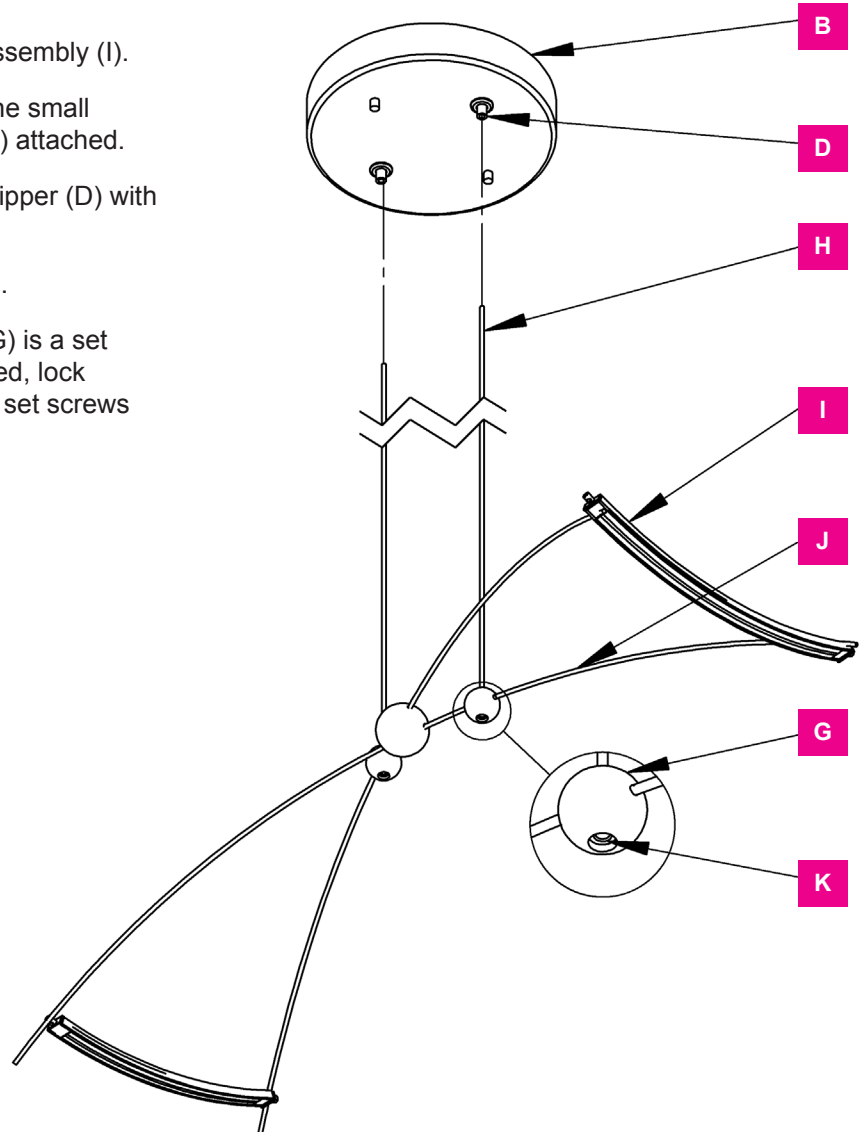
Assembly & Installation Instructions

Copernicus Single Pendant 151050

A481

To Complete Installation (Figure 3)

1. Locate the (+) and (-) labels on the LED assembly (I).
2. Follow the label along the bent rod (J) to the small wooden ball (G) with stainless steel rod (H) attached.
3. Insert (+) stainless steel rod (H) into the gripper (D) with the (+) label next to it.
4. Insert (-) rod (H) into remaining gripper (D).
5. In the bottom of each small wooden ball (G) is a set screw (K). Once desired aesthetic is reached, lock wooden balls (G) in place by tightening the set screws (K) with supplied hex wrench.
6. Restore electricity at main breaker.



(Figure 3)



vermont
modern
BY HUBBARDTON FORGE

If you need further assistance, or find that you are missing any parts, please contact the dealer from which you purchased this product. We hope you enjoy your fixture! * Vermont Modern / Hubbardton Forge will not be liable for injury or damage caused by improper installation, lamping or use of this fixture.

Castleton, Vermont USA | VERMONTMODERN.COM

37228