

A479



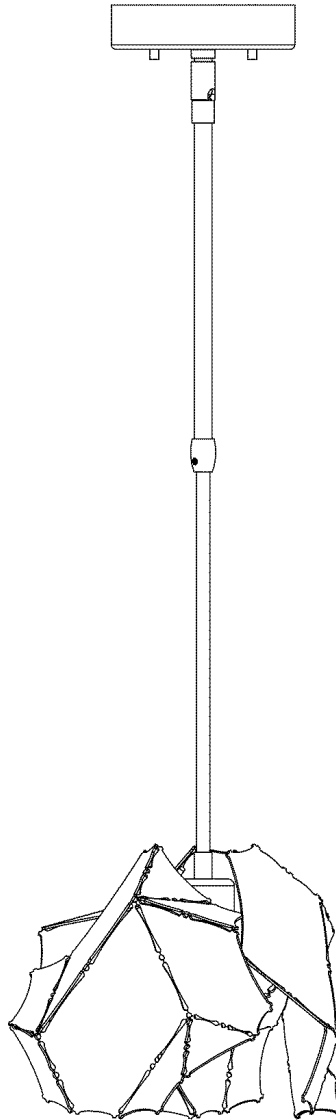
## Assembly & Installation Instructions

# Assembly & Installation Instructions

Cumulus Kitchen Pendant 151035

A479

## Contents



Cumulus Kitchen Pendant 151035

### Component Parts

<b>A</b>	<b>Accent</b>
<b>B</b>	<b>Fixture Pipe</b>
<b>C</b>	<b>Coupling</b>
<b>D</b>	<b>Cup</b>
<b>E</b>	<b>Threaded Stud (2)</b>
<b>F</b>	<b>Crossbar</b>
<b>G</b>	<b>Canopy</b>
<b>H</b>	<b>Clutch</b>
<b>I</b>	<b>Canopy Pipe</b>
<b>J</b>	<b>Plastic Sleeve</b>
<b>K</b>	<b>Set Screw</b>
<b>L</b>	<b>Ground Screw</b>
<b>M</b>	<b>Barrel Knob (2)</b>
<b>N</b>	<b>Bulb (Not Included)</b>

# Assembly & Installation Instructions

## Cumulus Kitchen Pendant 151035

A479

**CAUTION: FAILURE TO INSTALL THIS FIXTURE PROPERLY MAY RESULT IN SERIOUS PERSONAL INJURY OR DEATH AND PROPERTY DAMAGE.** We recommend installation by a licensed electrician. This product must be installed in accordance with applicable installation code(s), by a person familiar with the construction and operation of the product and the hazards involved.\*

Caution: Do not exceed maximum wattage noted on fixture. Use only recommended bulbs with fixture.

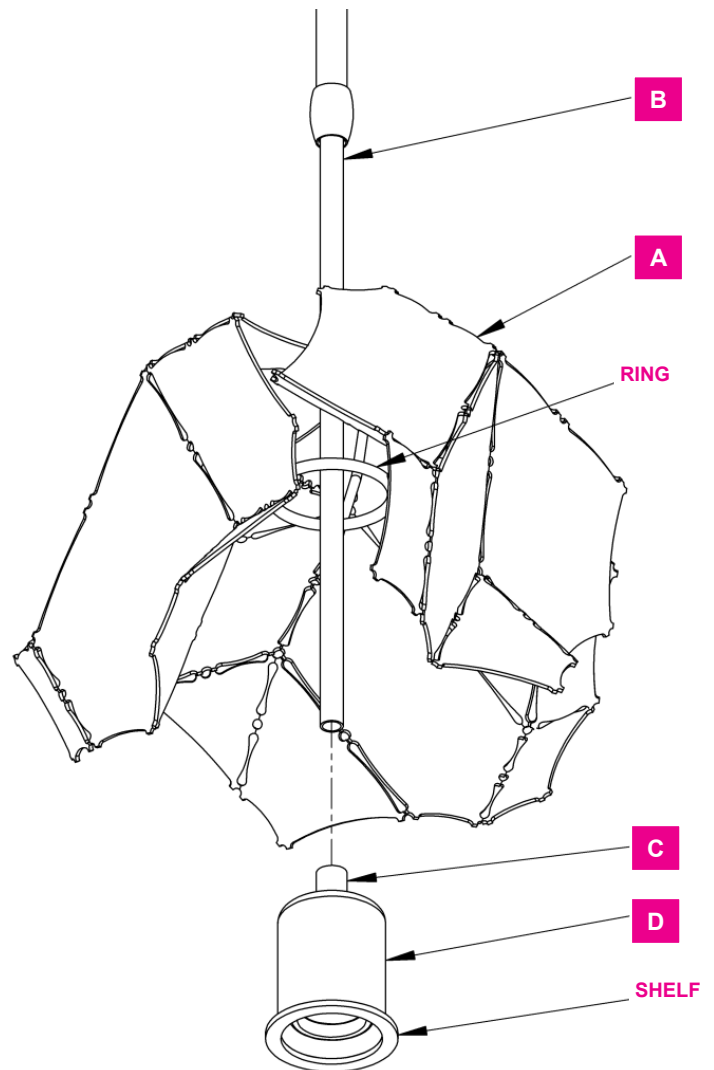
**Please Note:** After installation extra hardware and accessories are possible due to our kits are used on multiple products and options.

### Stem Assembly (Figure 1)

1. Carefully unpack the fixture from the carton.
2. Slip fixture pipe (B) over wires.
3. Apply a drop of the supplied thread locking compound to the threads of fixture pipe (B) and screw into coupling (C), being careful not to twist or pinch the wires.

**Note:** Application of the thread locking compound is necessary to prevent the pipe from loosening during regular maintenance and cleaning of the fixture. Be certain to apply the compound.

4. Run the wires up through the ring inside of the accent (A) making sure that the accent (A) is oriented with the large opening facing down. (Figure 1)
5. Slide the accent (A) over the fixture pipe (B) and rest it on the shelf located on the bottom of cup (D).
6. See instructions below to complete the installation.



(Figure 1)

# Assembly & Installation Instructions

## Cumulus Kitchen Pendant 151035

**CAUTION: FAILURE TO INSTALL THIS FIXTURE PROPERLY MAY RESULT IN SERIOUS PERSONAL INJURY OR DEATH AND PROPERTY DAMAGE.** We recommend installation by a licensed electrician. This product must be installed in accordance with applicable installation code(s), by a person familiar with the construction and operation of the product and the hazards involved.\*

Caution: Do not exceed maximum wattage noted on fixture. Use only recommended bulbs with fixture.

**Please Note:** After installation extra hardware and accessories are possible due to our kits are used on multiple products and options.

### Complete Assembly and Install Fixture (Figures 2, 3 & 4)

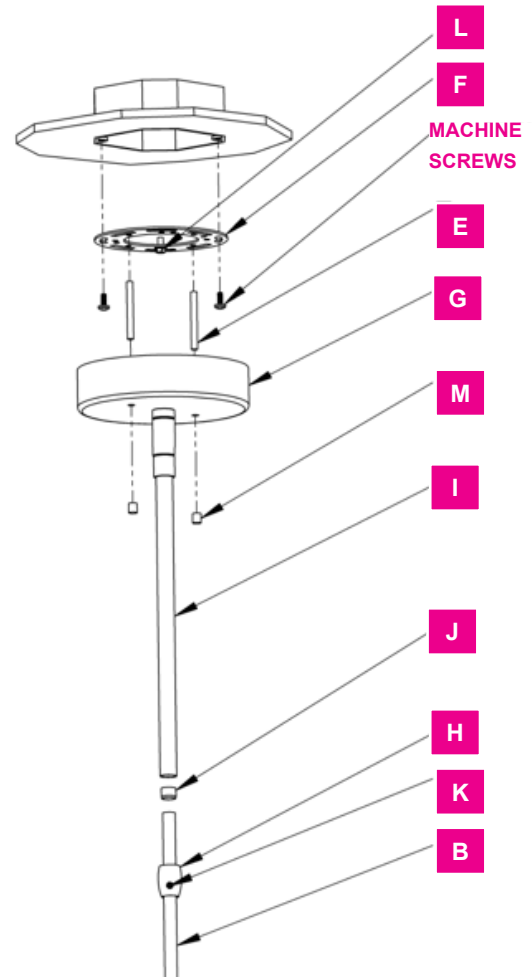
**CAUTION: BE SURE POWER IS OFF AT THE MAIN BREAKER BOX PRIOR TO INSTALLATION.**

1. Run the wires through the canopy pipe (I) and up through the canopy (G).
2. Unscrew the clutch (H) from the canopy pipe (I); slide it across the wires and onto the fixture pipe (B). Follow this with the plastic sleeve (J), oriented so the tapered end nests in the clutch (H) (Figure 2)
3. Slide the canopy pipe (I) as far as necessary onto fixture pipe (B) to achieve the total length of the fixture desired. Be careful not to scratch the pipe surfaces and to pull excess wire up through the canopy pipe (I). There must be a minimum 1-1/2" of inner pipe inside the outer pipe. Screw clutch (H) onto canopy pipe (I). Tighten the set screw (K) firmly with hex wrench provided.

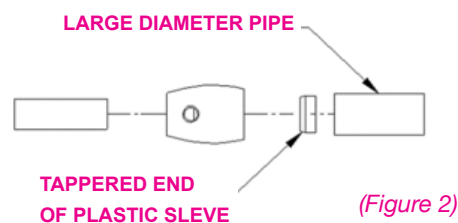
**Important:** To ensure full connection strength, be sure the tapered end of the plastic clutch sleeve is oriented toward the clutch when assembled and securely tighten set screw (Figure 2).

4. Insert threaded studs (E) into the crossbar (F) making sure that the studs (E) line up with the holes in the canopy (G)
5. Using two machine screws (not provided), attach the crossbar (F) to the electric box with the threaded studs (E) sticking downward.

**Note:** A new electric box comes with screws. When replacing a fixture, retain the existing screws for use with the new fixture.



(Figure 3)



(Figure 2)

# Assembly & Installation Instructions

## Cumulus Kitchen Pendant 151035

**CAUTION: FAILURE TO INSTALL THIS FIXTURE PROPERLY MAY RESULT IN SERIOUS PERSONAL INJURY OR DEATH AND PROPERTY DAMAGE.** We recommend installation by a licensed electrician. This product must be installed in accordance with applicable installation code(s), by a person familiar with the construction and operation of the product and the hazards involved.\*

Caution: Do not exceed maximum wattage noted on fixture. Use only recommended bulbs with fixture.

**Please Note:** After installation extra hardware and accessories are possible due to our kits are used on multiple products and options.

### Complete Assembly and Install Fixture (Figures 2, 3 & 4)

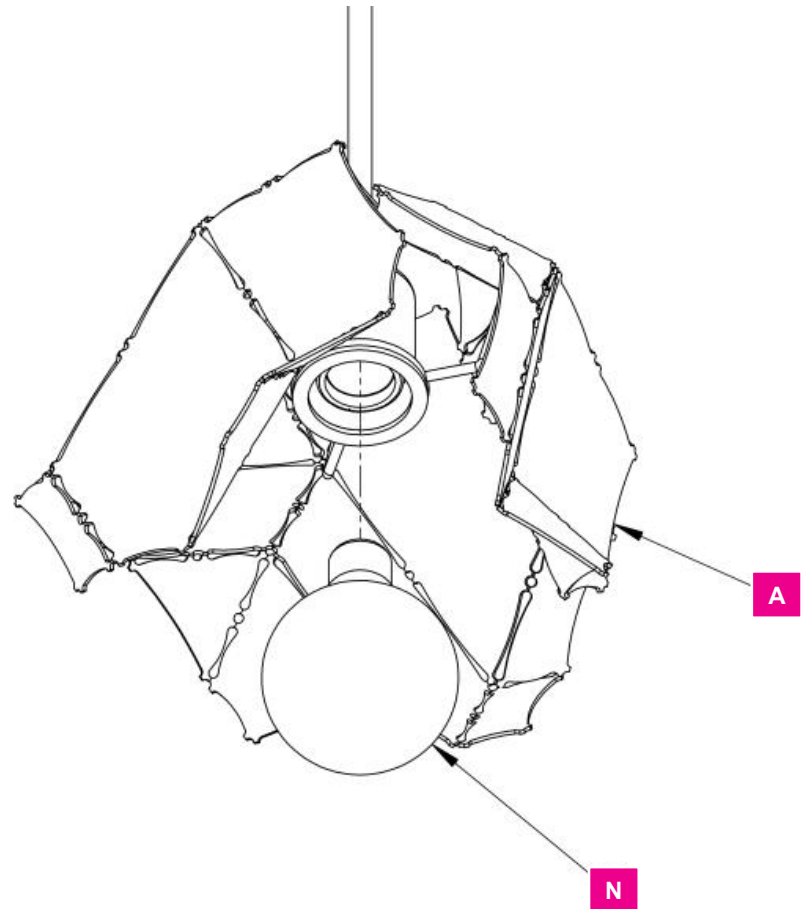
- Raise the fixture to the ceiling and using suitable wire connectors (not provided), connect fixture wires to supply wires (white to white supply, black to black supply). Connect a pigtail lead to the crossbar ground screw (L). Connect all ground wires (bare copper or green to bare copper or green). Push wires back into outlet box.

**CAUTION: MAKE SURE WIRE CONNECTORS ARE TWISTED ON SECURELY, AND NO BARE WIRE IS EXPOSED.**

- Line up the threaded studs (E) with the holes in the canopy (G). Push the canopy (G) to the ceiling making sure no wires are pinched. Secure the canopy (G) with the two barrel knobs (M).

**Note:** Be sure the threaded studs (E) are fully seated in the barrel knobs (M).

- Install bulb (N), not included. (Figure 4)
- Restore electricity at main breaker.



(Figure 4)