















# Assembly & Installation Instructions

## Stretch Pendant 131015

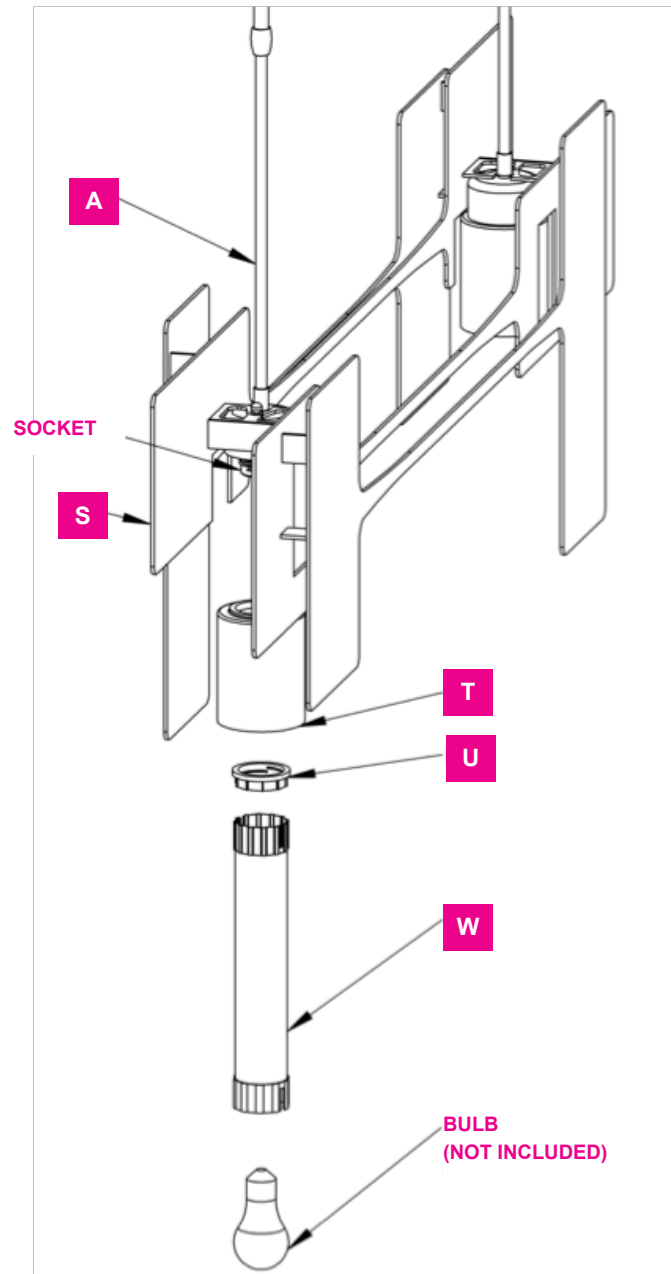
A464

**CAUTION: FAILURE TO INSTALL THIS FIXTURE PROPERLY MAY RESULT IN SERIOUS PERSONAL INJURY OR DEATH AND PROPERTY DAMAGE.** We recommend installation by a licensed electrician. This product must be installed in accordance with applicable installation code(s), by a person familiar with the construction and operation of the product and the hazards involved.\*

Caution: Do not exceed maximum wattage noted on fixture. Use only recommended bulbs with fixture.

### INSTALL GLASS (Figure 5)

1. Raise glass (T) over socket, thread on retaining ring (U) using retaining ring tool (W). Repeat for second piece of glass (T).
2. Install a bulb in each socket, not included.
3. Restore electricity at main breaker.



(Figure 5)



If you need further assistance, or find that you are missing any parts, please contact the dealer from which you purchased this product. We hope you enjoy your fixture. Hubbardton Forge will not be liable for injury or damage caused by improper installation, lamping or use of this fixture.

Castleton, Vermont USA | VERMONTMODERN.COM

36617 Rev B