

A452



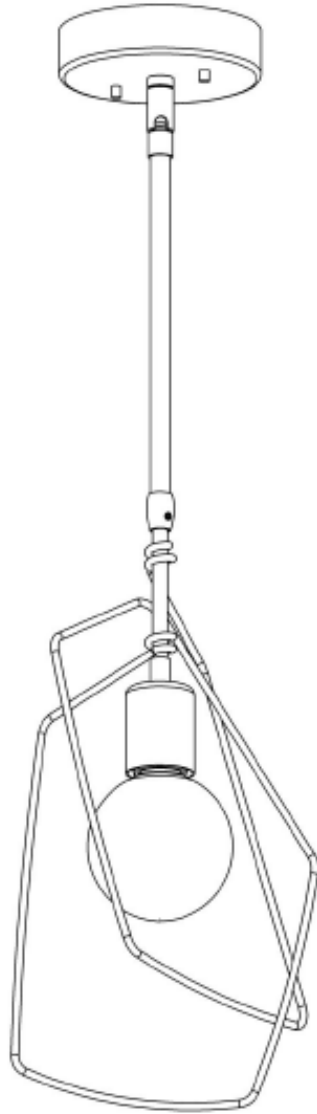
## Assembly & Installation Instructions

# Assembly & Installation Instructions

Filament Pendant 151030

A452

## Contents



Filament Pendant 151030

## Component Parts

- A    Fixture Coupling   B Fixture Pipe**
- C    Canopy**
- D    Crossbar**
- E    Ground Screw**
- F    Threaded Stud (2)   G Barrel nut (2)**
- H    Canopy Pipe**
- I    Clutch**
- J    Set Screw**
- K    Hex Head Nipple   L Lockwasher**
- M    Swivel**
- N    Decorative Element   O Plastic Sleeve**



# Assembly & Installation Instructions

## Filament Pendant 151030

**CAUTION: FAILURE TO INSTALL THIS FIXTURE PROPERLY MAY RESULT IN SERIOUS PERSONAL INJURY OR DEATH AND PROPERTY DAMAGE.** We recommend installation by a licensed electrician. This product must be installed in accordance with applicable installation code(s), by a person familiar with the construction and operation of the product and the hazards involved.\*

Caution: Do not exceed maximum wattage noted on fixture. Use only recommended bulbs with fixture.

### To Install Fixture (Figures 1 & 2)

**CAUTION: BE SURE POWER IS OFF AT THE MAIN BREAKER BOX PRIOR TO INSTALLATION.**

1. Carefully unpack the fixture from the carton.
2. Thread studs (F) through appropriate holes in crossbar (D) to match holes in canopy (C).
3. Using two machine screws (not provided), fasten the crossbar (D) to the electric box with threaded studs and ground screw pointing downward (Figure 1).

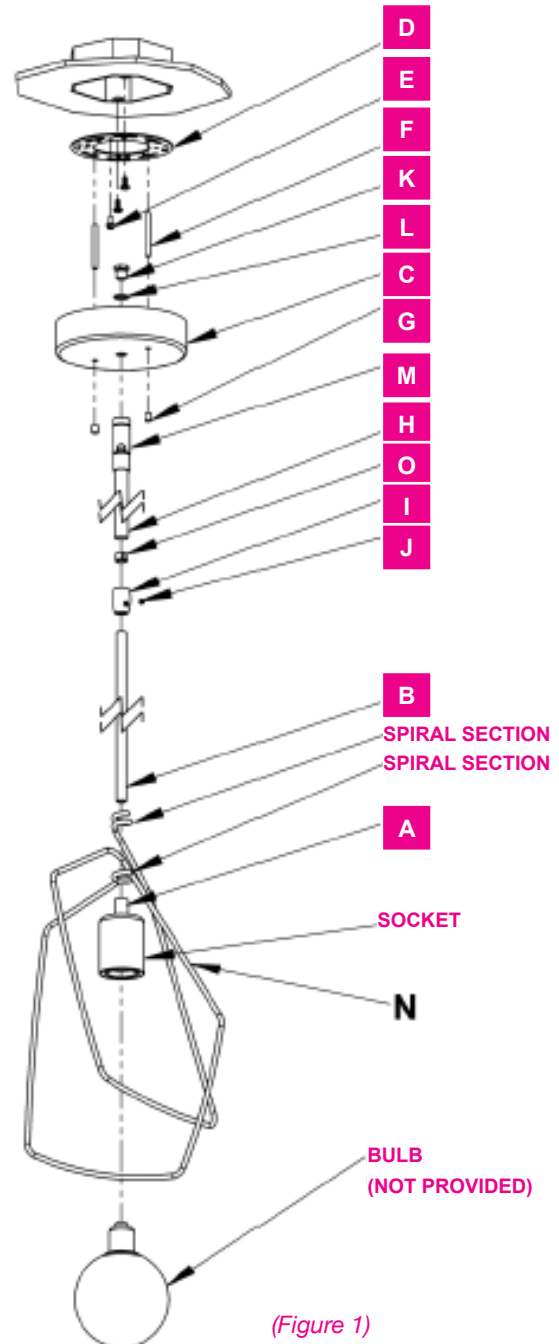
**Note:** A new electric box comes with screws. When replacing a fixture, retain the existing screws for use with the new fixture.

4. Locate fixture pipe (B) and slip the end of the pipe with the shortest threads over wires. (Figure 1).
5. Apply a drop of the supplied thread locking compound to the internal threads of the fixture coupling (A) and screw fixture pipe (B) into fixture coupling (A), being careful not to twist the wires.

**Note:** Application of the thread locking compound is necessary to prevent the stem from loosening during regular maintenance and cleaning of the fixture. Be certain to apply the compound.

6. Slide the wires from the fixture pipe (B) through the spiral sections of the decorative element (N), clutch, canopy pipe (H) and up through the canopy (C). Allow decorative element to slide down and rest on the socket. Be careful to not scratch fixture pipe. (Figure 1).(Figure 2).

**Note:** It may be necessary to flex the decorative element to align the spiral sections so that wires and pipes can be slipped through easily and prevent the spirals from scratching the pipes.



(Figure 1)

# Assembly & Installation Instructions

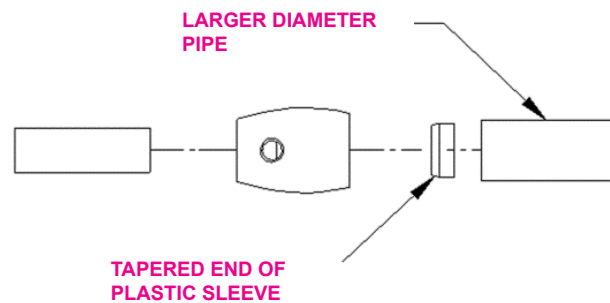
## Filament Pendant 151030

**CAUTION: FAILURE TO INSTALL THIS FIXTURE PROPERLY MAY RESULT IN SERIOUS PERSONAL INJURY OR DEATH AND PROPERTY DAMAGE.** We recommend installation by a licensed electrician. This product must be installed in accordance with applicable installation code(s), by a person familiar with the construction and operation of the product and the hazards involved.\*

Caution: Do not exceed maximum wattage noted on fixture. Use only recommended bulbs with fixture.

### To Install Fixture (Figures 1 & 2) *continued*

7. Unscrew the clutch (I) from the canopy pipe (H); slide it across the wires and onto the fixture pipe (B). Follow this with the plastic sleeve (O), oriented so the tapered end nests in the clutch (I)(Figure 2).
8. Slide the canopy pipe (H) over the fixture pipe (B) as far as necessary to give you the total length of the fixture which you desire. It may be necessary to loosen the set screw (J) in the clutch (I). Be careful not to scratch the pipe surface and to pull excess wire up through the canopy pipe (H). There must be a minimum 1-1/2" of inner pipe inside the outer pipe. (Figure 1).
9. Tighten the set screw (J) in clutch (I) firmly with hex wrench provided. (Figure 1).
10. Remove the hex head nipple (K) and lockwasher (L) from the swivel (M). Feed wires through the canopy (C), lockwasher (L) and hex head nipple (K). Place swivel (M) against canopy (C) and secure using lockwasher (L) and hex head nipple (K).
11. Using suitable wire connectors (not provided) connect fixture wires to supply (white to white and black to black). Attach a pigtail lead to the crossbar ground screw (E). Connect all ground wires (bare copper or green to bare copper or green).
12. Slide canopy (C) over threaded studs (F) and push firmly to ceiling, making sure that no wires are pinched between fixture canopy (C) and ceiling. Fasten with barrel nuts (G). Be sure studs (F) are fully seated in the barrel nuts(G).
13. Install bulb (not provided).
14. Restore electricity at main breaker.



(Figure 2)

**CAUTION: MAKE SURE WIRE CONNECTORS ARE TWISTED ON SECURELY, AND NO BARE WIRE IS EXPOSED.**



If you need further assistance, or find that you are missing any parts, please contact the dealer from which you purchased this product. We hope you enjoy your fixture. Hubbardton Forge will not be liable for injury or damage caused by improper installation, lamping or use of this fixture.

Castleton, Vermont USA | VERMONTMODERN.COM

36144