

A441



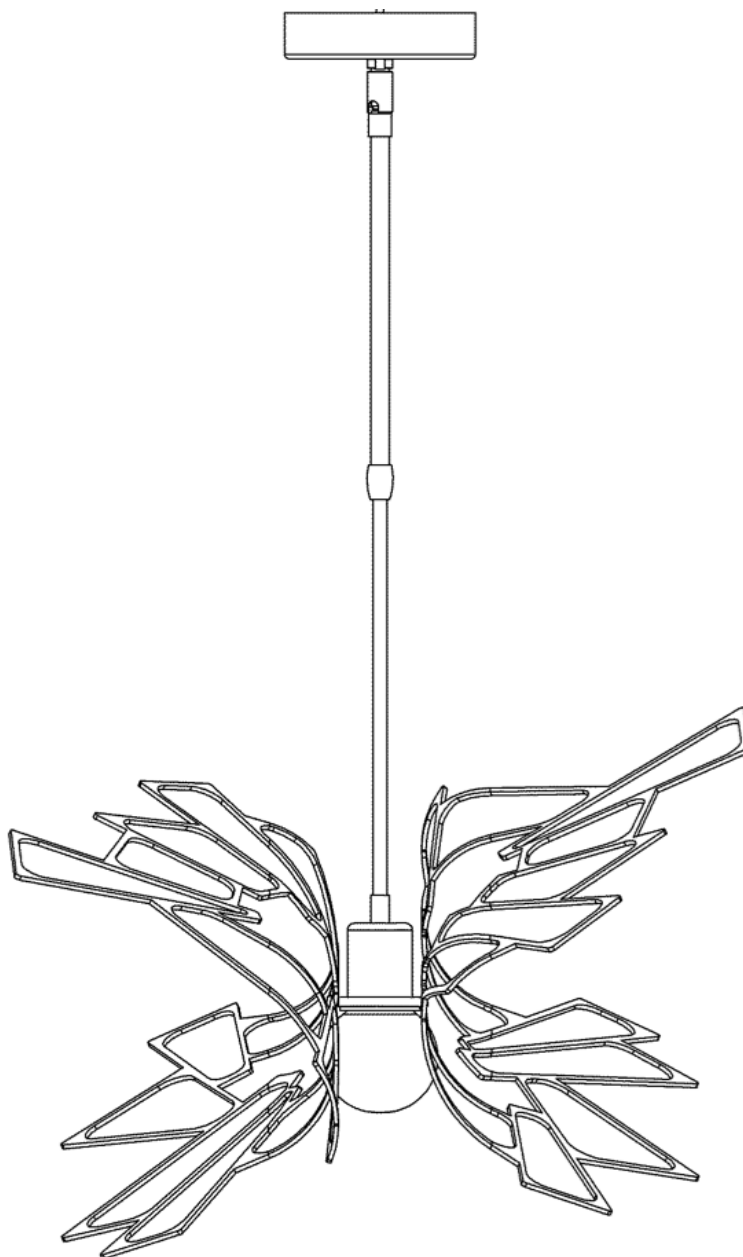
## Assembly & Installation Instructions

# Assembly & Installation Instructions

Monarch Pendant 136530

A441

## Contents



Monarch Pendant 136530

# Assembly & Installation Instructions

Monarch Pendant 136530

---

A441

## Component Parts

<b>A</b>	<b>Accent</b>
<b>B</b>	<b>Fixture Pipe</b>
<b>C</b>	<b>Coupling</b>
<b>D</b>	<b>Cup</b>
<b>E</b>	<b>Threaded Stud (2)</b>
<b>F</b>	<b>Crossbar</b>
<b>G</b>	<b>Canopy</b>
<b>H</b>	<b>Clutch</b>
<b>I</b>	<b>Canopy Pipe</b>
<b>J</b>	<b>Plastic Sleeve</b>
<b>K</b>	<b>Set Screw</b>
<b>L</b>	<b>Ground Screw</b>
<b>M</b>	<b>Barrel Knob (2)</b>
<b>N</b>	<b>Bulb (Not Included)</b>



vermont  
**modern**  
BY HUBBARDTON FORGE

Castleton, Vermont USA | VERMONTMODERN.COM

35716 Rev A

# Assembly & Installation Instructions

## Monarch Pendant 136530

A441

**CAUTION: FAILURE TO INSTALL THIS FIXTURE PROPERLY MAY RESULT IN SERIOUS PERSONAL INJURY OR DEATH AND PROPERTY DAMAGE.** We recommend installation by a licensed electrician. This product must be installed in accordance with applicable installation code(s), by a person familiar with the construction and operation of the product and the hazards involved.\*

Caution: Do not exceed maximum wattage noted on fixture. Use only recommended bulbs with fixture.

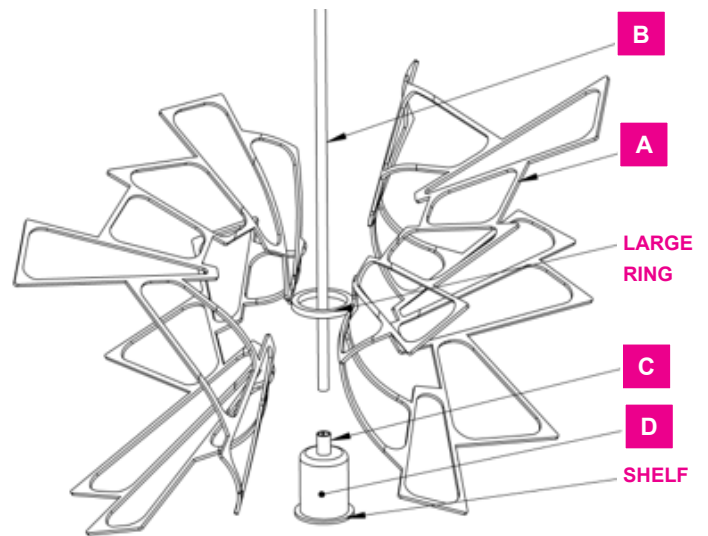
**Please Note:** After installation extra hardware and accessories are possible due to our kits are used on multiple products and options.

### Stem Assembly (Figures 1 & 2)

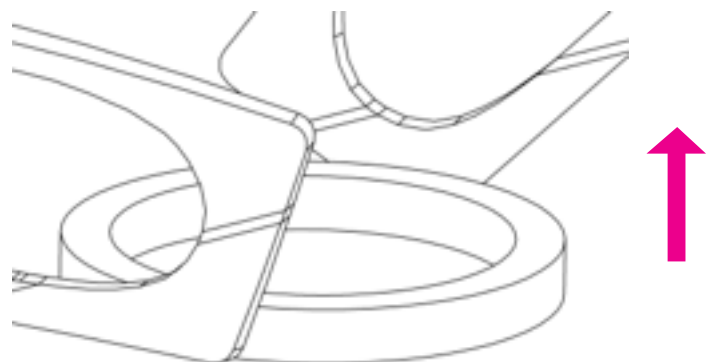
1. Carefully unpack the fixture from the carton.
2. Slip fixture pipe (B), over wires making sure to have the end with unpainted thread go on first.
3. Apply a drop of the supplied thread locking compound to the threads of fixture pipe (B) and screw into coupling (C), being careful not to twist or pinch the wires.

**Note:** Application of the thread locking compound is necessary to prevent the pipe from loosening during regular maintenance and cleaning of the fixture. Be certain to apply the compound.

4. Run the wires up through the large ring make sure that the accent (A) is oriented so that the bottom of the large ring is flush with the accent (A). (Figure 2)
5. Slide the accent (A) over the fixture pipe (B) and rest it on the shelf located on the bottom of the cup (D).
6. See instructions below to complete the installation.



(Figure 1)



(Figure 2)

# Assembly & Installation Instructions

A441

## Monarch Pendant 136530

**CAUTION: FAILURE TO INSTALL THIS FIXTURE PROPERLY MAY RESULT IN SERIOUS PERSONAL INJURY OR DEATH AND PROPERTY DAMAGE.** We recommend installation by a licensed electrician. This product must be installed in accordance with applicable installation code(s), by a person familiar with the construction and operation of the product and the hazards involved.\*

Caution: Do not exceed maximum wattage noted on fixture. Use only recommended bulbs with fixture.

**Please Note:** After installation extra hardware and accessories are possible due to our kits are used on multiple products and options.

### Complete Assembly and Install Fixture (Figures 3, 4 & 5)

**CAUTION: BE SURE POWER IS OFF AT THE MAIN BREAKER BOX PRIOR TO INSTALLATION.**

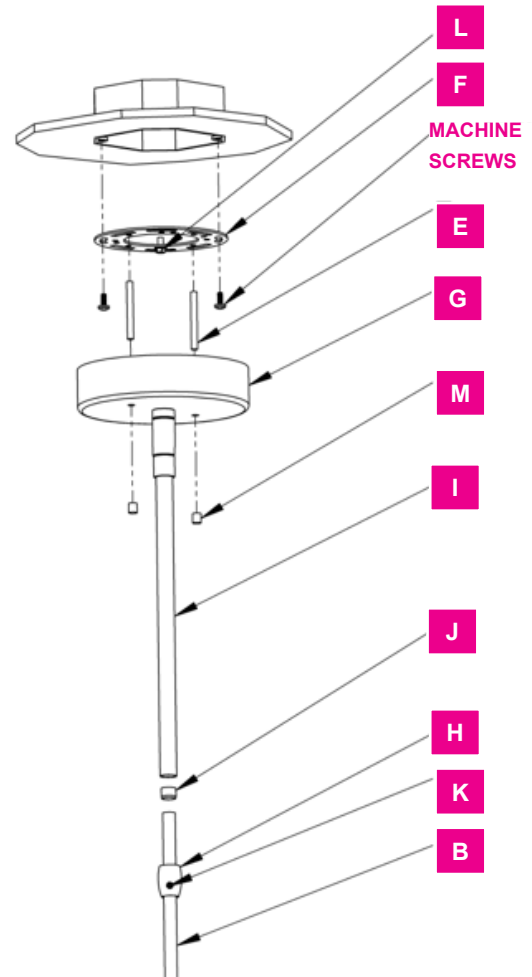
1. Run the wires through the canopy pipe (I) and up through the canopy (G)
2. Unscrew the clutch (H) from the canopy pipe (I); slide it across the wires and onto the fixture pipe (B). Follow this with the plastic sleeve (J), oriented so the tapered end nests in the clutch (H) (Figure 4)
3. Slide the canopy pipe (I) as far as necessary to give you the total length of the fixture which you desire. Be careful not to scratch the pipe surfaces and to pull excess wire up through the canopy pipe (I). There must be a minimum 1-1/2" of inner pipe inside the outer pipe. Screw clutch (H) onto canopy pipe (I). Tighten the set screw (K) firmly with hex wrench provided.

**Important:** To ensure full connection strength, be sure the tapered end of the plastic clutch sleeve is oriented toward the clutch when assembled and securely tighten set screw (Figure 4).

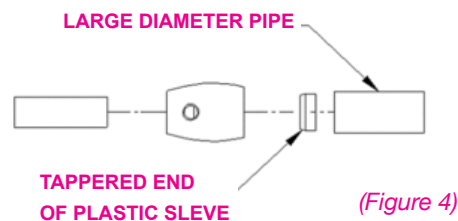
4. Insert threaded studs (E) into the crossbar (F) making sure that the studs (E) line up with the holes in the canopy (G)
5. Using two machine screws (not provided), attach the crossbar (F) to the electric box with the threaded studs (E) sticking downward.

**Note:** A new electric box comes with screws. When replacing a fixture, retain the existing screws for use with the new fixture.

6. Use the provided anchors and screws to attach the crossbar more securely to the ceiling.



(Figure 3)



(Figure 4)



# Assembly & Installation Instructions

A441

## Monarch Pendant 136530

**CAUTION: FAILURE TO INSTALL THIS FIXTURE PROPERLY MAY RESULT IN SERIOUS PERSONAL INJURY OR DEATH AND PROPERTY DAMAGE.** We recommend installation by a licensed electrician. This product must be installed in accordance with applicable installation code(s), by a person familiar with the construction and operation of the product and the hazards involved.\*

Caution: Do not exceed maximum wattage noted on fixture. Use only recommended bulbs with fixture.

**Please Note:** After installation extra hardware and accessories are possible due to our kits are used on multiple products and options.

### Complete Assembly and Install Fixture (Figures 3, 4 & 5)

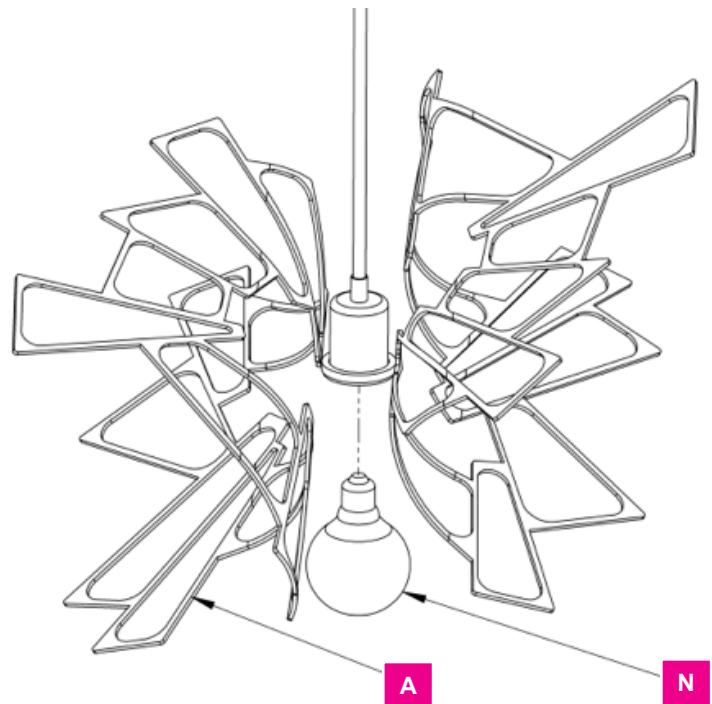
7. Raise the fixture to the ceiling and using suitable wire connectors (not provided), connect fixture wires to supply wires (white to white supply, black to black supply). Connect a pigtail lead to the crossbar ground screw (L). Secure the cupped washer and the green ground terminal to the stud inside the canopy (G) using the provided nut. Connect all ground wires (bare copper or green to bare copper or green). Push wires back into outlet box.

**CAUTION: MAKE SURE WIRE CONNECTORS ARE TWISTED ON SECURELY, AND NO BARE WIRE IS EXPOSED.**

8. Slide canopy (G) against ceiling until the threaded studs (E) stick through the holes in the canopy (G). Line up the threaded studs (E) with the holes in the canopy (G) and push the canopy (G) to the ceiling. Secure the canopy can (G) with the two barrel knobs (M).

**Note:** Be sure the threaded studs (E) are fully seated in the barrel knobs (M)

9. Install bulb (N), not included. (Figure 5)
10. Restore electricity at main breaker.



(Figure 5)