

Assembly & Installation Instructions

A406

Flux Pendant VP 136520D

Page 1 of 2

CAUTION: FAILURE TO INSTALL THIS FIXTURE PROPERLY MAY RESULT IN SERIOUS PERSONAL INJURY OR DEATH AND PROPERTY DAMAGE. We recommend installation by a licensed electrician.

This product must be installed in accordance with applicable installation code(s), by a person familiar with the construction and operation of the product and the hazards involved.*

Caution: Do not exceed maximum wattage noted on fixture. Use only recommended bulbs with fixture.

Install to Ceiling (Figure 1)

Component Part

- A Canopy
- B Mounting Bracket
- C #8 Screw (3)
- D Support Cable
- E Support Cable Screw
- F Supply Cable (3)
- G Ground Screw
- H Cupped Washer

Caution: Be sure power is off at the main breaker box prior to installation.

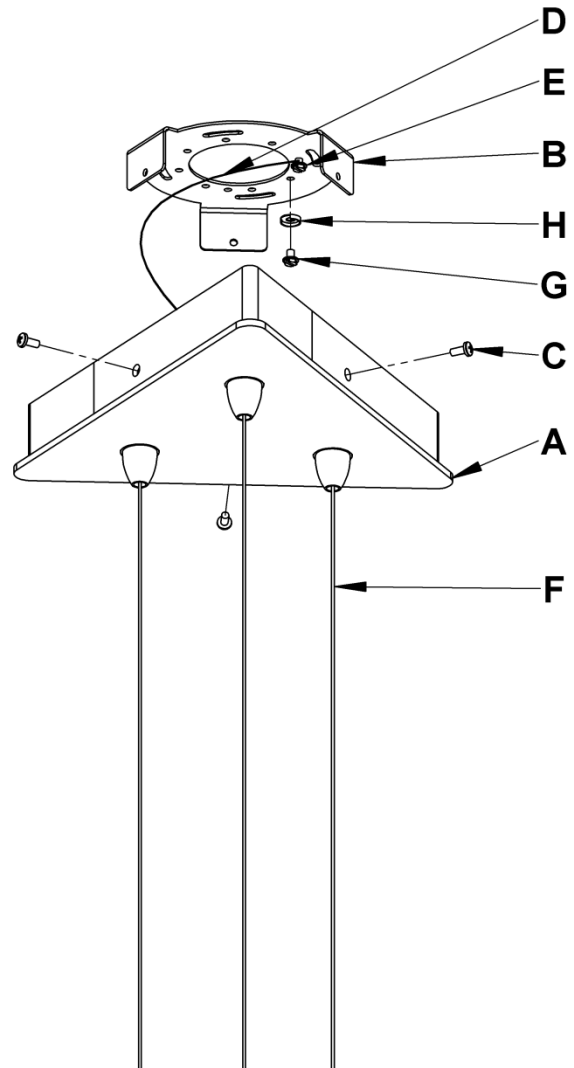
1. Carefully unpack fixture from carton.
2. Mounting bracket (B) is shipped installed to canopy (A). Remove screws (C) from canopy (A) and save for later use. Remove bracket (B).
3. Using two machine screws (not provided), fasten the mounting bracket (B) to the electric box. (Figure 1)
Note: A new electric box comes with screws. When replacing a fixture, retain the existing screws for use with the new fixture.
4. Raise canopy (A) close to ceiling and attach safety cable (F) using safety cable screw (E) that is shipped on the mounting bracket (B).

Note: Safety cable is used to temporarily suspend canopy while wiring connections are made.

5. Using suitable wire connectors (not provided) connect driver wires to supply wires (white to white and black to black).

Caution: Make sure wire connectors are twisted on securely, and no bare wire is exposed.

6. Using cupped washer (H) ground screw (G) that are attached to bracket (B), attach a pigtail lead to the bracket. Connect all ground wires together (bare copper or green to bare copper or green). Push wires into outlet box.
7. Raise canopy (A) close to ceiling. Align holes in canopy (A) with holes in mounting bracket (B) and secure with (3) #8 screws (C).
8. Follow instructions on following page to assemble fixture.



(Figure 1)

(continued)

Assembly & Installation Instructions

Flux Pendant VP 136520D

A406

Page 2 of 2

To Assemble Fixture (Figure 2)

Component Parts

- F Support Cable (3)
- I Fixture
- J Gripper (3)
- K Gripper Cover (3)

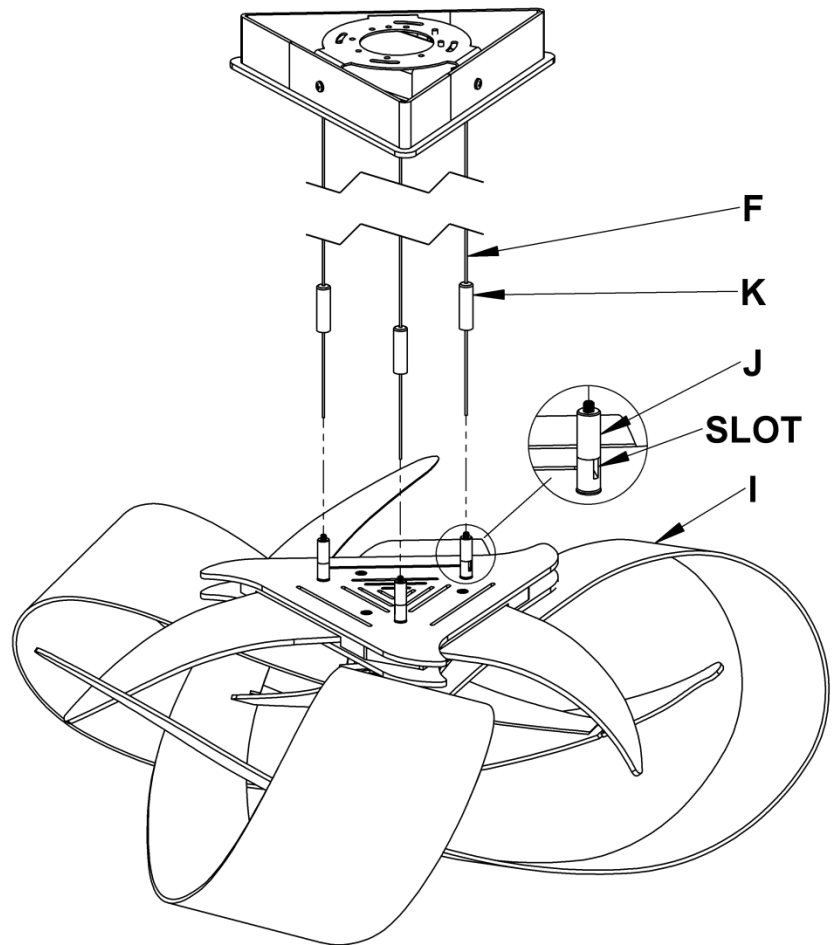
1. Align (+) and (-) labels on fixture (I) with (+) and (-) labels on canopy.
2. Unscrew gripper cover (K) from gripper (J) and slide over cable (F). Insert cable (F) into gripper (J) until cable sticks through the slot in the side of the gripper (J).
3. Repeat with remaining cables (F).
4. Continue pulling cables (F) through grippers (J) until correct fixture height is achieved. Adjust height of fixture (I), making sure to keep fixture level.

Note: If fixture needs to be lowered, push down on top of canopy gripper (J) to release cable.

5. Once desired height of the fixture (I) is achieved, cut off the excess cable (F) as close to the gripper (J) as possible.

Caution: Once excess cable is cut, fixture cannot be lowered.

6. Slide gripper covers (K) over grippers (J) and thread until snug.
7. Restore electricity at main breaker.



(Figure 2)

If you need further assistance, or find that you are missing any parts, please contact the dealer from which you purchased this product. We hope you enjoy your fixture!

* Hubbardton Forge will not be liable for injury or damage caused by improper installation, lamping or use of this fixture.