

Installation Instructions

For Semi-Flush Mount Outdoor Fixtures 35-6005 & 35-6005F

A38

Page 1 of 2

CAUTION: FAILURE TO INSTALL THIS FIXTURE PROPERLY MAY RESULT IN SERIOUS PERSONAL INJURY OR DEATH AND PROPERTY DAMAGE. We recommend installation by a licensed electrician.

This product must be installed in accordance with applicable installation code(s), by a person familiar with the construction and operation of the product and the hazards involved.*

Caution: Do not exceed maximum wattage noted on fixture. Use only recommended bulbs with fixture.

To Install Fixture (Figure 1)

Component Parts

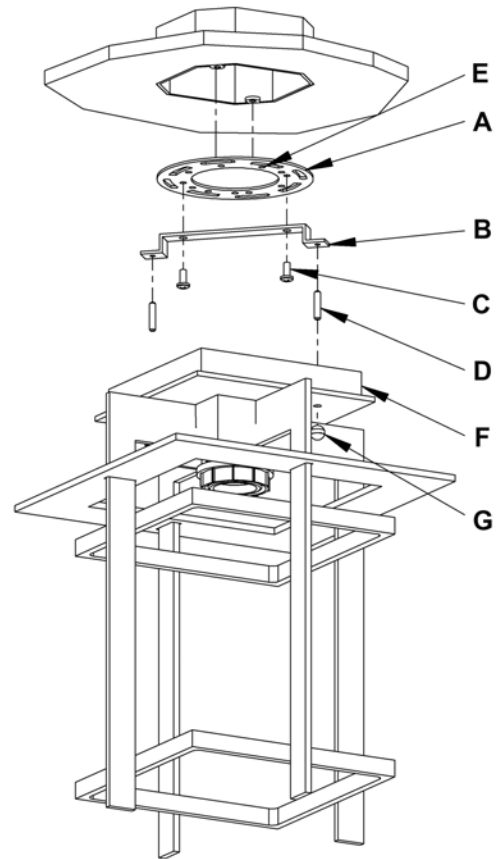
- A Crossbar
- B Ceiling Bracket
- C 8-32 Screw (2)
- D Threaded Stud (2)
- E Ground Screw
- F Fixture Canopy
- G Knurled Balls (2)

Caution: Be sure power is off at the main breaker box prior to installation

1. Carefully unpack the fixture from the carton.
2. Using two 8-32 screws (C), attach ceiling bracket (B) to crossbar (A) so that outer threaded holes in the ceiling bracket are aligned with outer oval slots in the crossbar.
3. Using two machine screws (not provided) fasten crossbar (A) to the electric box using outer oval holes to orient fixture to desired hanging position.

Note: A new electric box comes with screws. When replacing an existing fixture, retain the screws for use with the new fixture.

5. Start threaded studs (D) into holes at ends ceiling bracket.
6. Using suitable wire connectors (not provided), connect fixture wires to supply wires (white to white or ribbed) and (black to black or smooth). Run a pigtail lead from crossbar ground screw (E) to the junction box and connect all ground wires (bare copper or green to bare copper or green). **Caution:** Make sure wire connectors are twisted on securely, and no bare wire is exposed.
7. Align holes in fixture canopy (F) with studs (D) and push fixture firmly to ceiling, making sure that no wires are pinched between fixture canopy and ceiling. Fasten with knurled balls (G).
8. Refer to instructions following for glass installation.



(Figure 1)

Installation Instructions

For Semi-Flush Mount Outdoor Fixtures 35-6005 & 35-6005F

A38

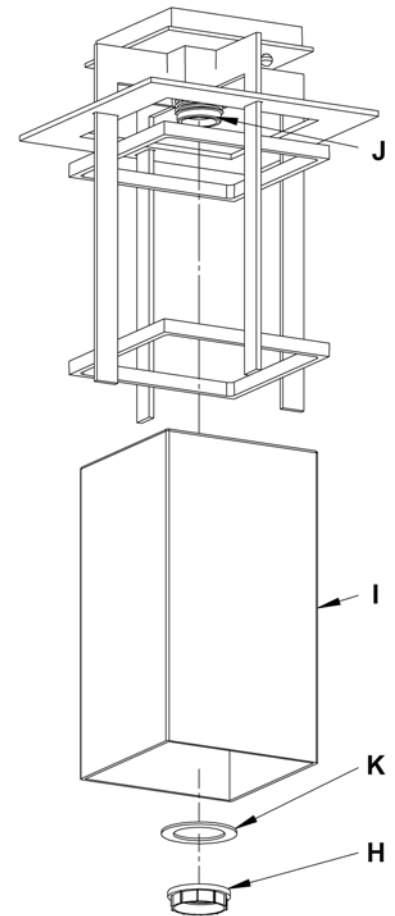
Page 2 of 2

To Install Glass (Figure 2)

Component Parts

- H Retaining Ring
- I Glass
- J Socket
- K White Washer

1. Remove retaining ring (H) from socket (J). *Retaining Ring is shipped installed.*
2. Place glass (I) over socket (J).
3. Slip white washer (K) onto socket (J) until it rests against the inside top of the glass (I).
4. Replace retaining ring (H) and tighten until snug against white washer (K) to secure glass. *Do not over-tighten.*
5. Install light bulb. *“F” version bulb is included*
6. Restore electricity at the main breaker.



(Figure 2)

If you need further assistance, or find that you are missing any parts, please contact the dealer from which you purchased this product. We hope you enjoy your fixture!

* Hubbardton Forge will not be liable for injury or damage caused by improper installation, lamping or use of this fixture.