

Installation Instructions

A37

For Semi-Flush Mount Fixtures with Access Cover

CAUTION: FAILURE TO INSTALL THIS FIXTURE PROPERLY MAY RESULT IN SERIOUS PERSONAL INJURY OR DEATH AND PROPERTY DAMAGE. We recommend installation by a licensed electrician.

This product must be installed in accordance with applicable installation code(s), by a person familiar with the construction and operation of the product and the hazards involved.*

Caution: Do not exceed maximum wattage noted on fixture. Use only recommended bulbs with fixture.

To Install

Caution: Be sure power is off at the main breaker box prior to installation

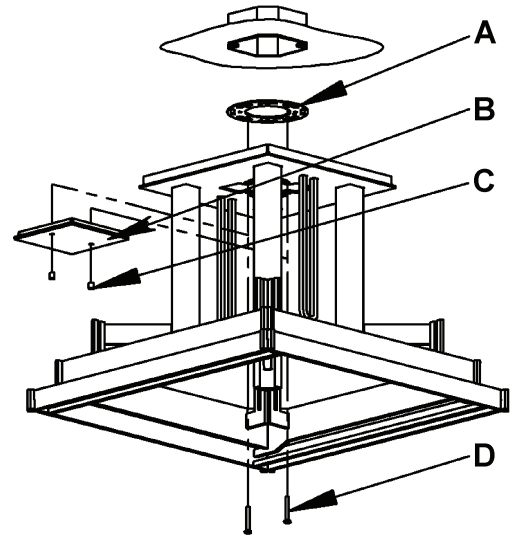
1. Carefully unpack the fixture from the carton.
2. Using two machine screws (not provided) fasten cross bar (A) to the electric box using outer oval holes to orient fixture to desired hanging position.

Note: A new electric box comes with screws. When replacing an existing fixture, retain the screws for use with the new fixture.

5. Align holes in fixture canopy with appropriate holes in crossbar and push fixture firmly to ceiling, making sure that no wires are pinched between fixture canopy and ceiling. Fasten with machine screws (D).
6. Using suitable wire connectors (not provided), connect fixture wires to supply wires (white to white or ribbed) and black to black or smooth). Connect all ground wires to green ground screw.

Caution: Make sure wire connectors are twisted on securely, and no bare wire is exposed.

7. Place cover plate (B) over threaded studs in fixture canopy and secure with barrel nuts (C).
8. Install light bulb(s) (not provided).
9. Install glass (refer to glass installation instructions if appropriate).
10. Restore electricity at main breaker.



If you need further assistance, or find that you are missing any parts, please contact the dealer from which you purchased this product. We hope you enjoy your fixture!

* Hubbardton Forge will not be liable for injury or damage caused by improper installation, lamping or use of this fixture.