

Glass Installation Instructions

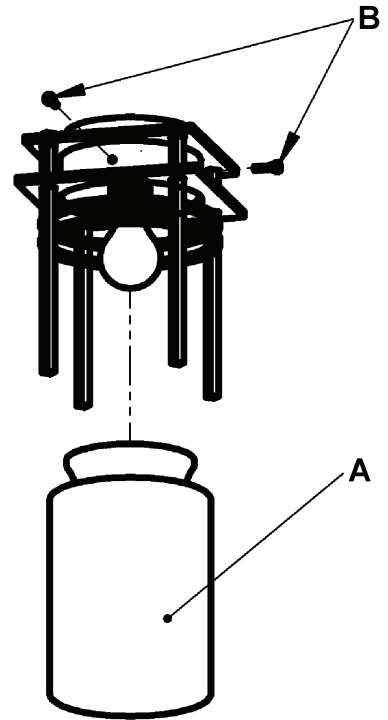
A36

For Outdoor Ceiling Fixtures using Lipped Glass

Caution: Do not exceed maximum wattage noted on fixture. Use only recommended bulbs with fixture.

To Install Glass

1. Insert glass (A) up into fixture.
2. Holding glass tightly against fixture, tighten 4 screws (B) to secure glass.



If you need further assistance, or find that you are missing any parts, please contact the dealer from which you purchased this product. We hope you enjoy your fixture!