

Installation Instructions

For Semi Flush Pendants with Slide Locking Mechanism

A34

Page 1 of 2

CAUTION: FAILURE TO INSTALL THIS FIXTURE PROPERLY MAY RESULT IN SERIOUS PERSONAL INJURY OR DEATH AND PROPERTY DAMAGE. We recommend installation by a licensed electrician.

This product must be installed in accordance with applicable installation code(s), by a person familiar with the construction and operation of the product and the hazards involved.*

Caution: Do not exceed maximum wattage noted on fixture. Use only recommended bulbs with fixture.

For fixtures requiring assembly, please refer to assembly instructions prior to installation.

Component Parts

A	Canopy	F	Round Cross Bar
B	Electric Box Machine Screws (not provided)	G	8-32 Threaded Studs
C	Black or Smooth Wires	H	8-32 Knurled Balls
D	Ground Wires	I	Wire Nuts or connectors (not provided)
E	White or Ribbed Wires	J	Green Ground Screw

To Install

Caution: Be sure power is off at the main breaker box prior to installation

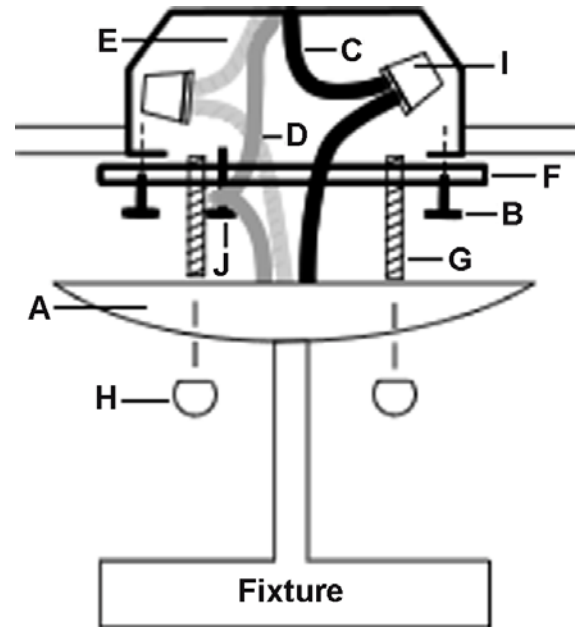
1. Carefully unpack the fixture from the carton.
2. Thread studs (G) through appropriate holes in cross bar (F) to match hole centers in canopy (A). Move ground screw (J) to another available threaded hole if necessary.
3. Using two machine screws (B, not provided) fasten cross bar to the electric box using outer oval holes to orient fixture to desired hanging position.

Note: A new electric box comes with screws. When replacing an existing fixture, retain the screws for use with the new fixture.

5. Using suitable wire connectors (I) (not provided), connect fixture wires to supply wires (white to white or ribbed (E) and black to black or smooth (C). Connect all ground wires (D) to green ground screw (J).

Caution: Make sure wire connectors are twisted on securely, and no bare wire is exposed.

6. Slide fixture canopy (A) over threaded studs and push firmly to ceiling, making sure that no wires are pinched between fixture canopy and ceiling. Fasten with knurled balls (H). Be sure studs (G) are fully seated in the knurled balls (H).
7. Install light bulb(s) (not provided).
8. Install glass (refer to glass installation instructions if appropriate).
9. Restore electricity at main breaker.



(continued)

Installation Instructions

For Semi Flush Pendants with Slide Locking Mechanism

A34

Page 2 of 2

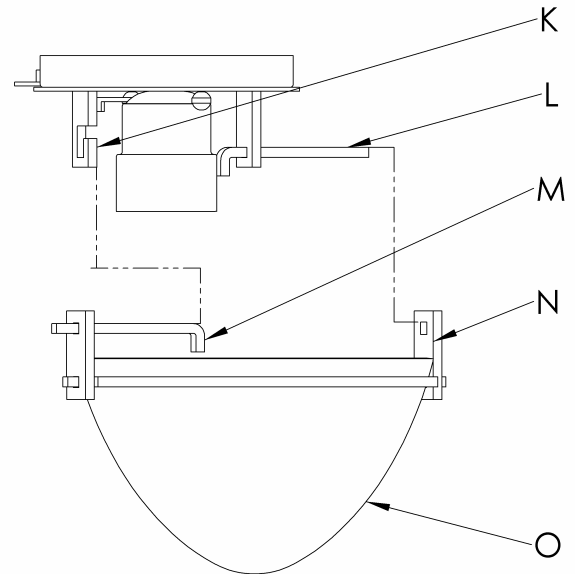
Caution: Do not exceed maximum wattage noted on fixture. Use only recommended bulbs with fixture.

Component Parts

- K Notched Tab
- L Fixed Stem
- M Hooked Bar
- N Ring Assembly
- O Glass Bowl

To Install Glass

1. Install light bulb.
2. Place Glass Bowl (O) into ring assembly
3. Slide ring assembly onto fixed stem (L) of fixture. The fixed stem should slide into the square hole in the ring assembly (N).
4. Slide ring assembly horizontally to clear the socket cup and rotate hooked bar (M) of ring assembly into notched tab (K) in fixture centering the ring assembly and glass.



Please Note: The glass in this fixture is hand blown which can cause imbalance in the total piece. While all care is taken to limit the impact of the imbalance, sometimes the glass will hang off to one side. In order to correct for the issue, please make sure the glass is placed in the holder with the same reveal all around the top ring. If the glass still hangs off, rotate the glass 90 degrees in the holder to place the heavy side over one of the pivot points. This should resolve the tendency of this hand craft glass to hang off to one side.

If you need further assistance, or find that you are missing any parts, please contact the dealer from which you purchased this product. We hope you enjoy your fixture!

* Hubbardton Forge will not be liable for injury or damage caused by improper installation, lamping or use of this fixture.