

# Installation Instructions

A344

Staccato Pendant Vintage Platinum: 161090

Page 1 of 2

**CAUTION: FAILURE TO INSTALL THIS FIXTURE PROPERLY MAY RESULT IN SERIOUS PERSONAL INJURY OR DEATH AND PROPERTY DAMAGE.** We recommend installation by a licensed electrician. This product must be installed in accordance with applicable installation code(s), by a person familiar with the construction and operation of the product and the hazards involved.\*

Caution: Do not exceed maximum wattage noted on fixture. Use only recommended bulbs with fixture.

## To Install the Canopy (Figures 1 & 2)

### Component Parts

- |                 |                         |
|-----------------|-------------------------|
| A Crossbar      | F Canopy Gripper        |
| B Cupped Washer | G Supply/Support Cable  |
| C Ground Screw  | N Canopy Plate          |
| D Canopy        | O Screws w/ Lock Washer |
| E #8 Screws (2) |                         |

**CAUTION:** BE SURE POWER IS OFF AT THE MAIN BREAKER BOX PRIOR TO INSTALLATION.

1. Carefully unpack the fixture from the carton.
2. Remove two #8 screws (E) and crossbar (A) from canopy (D) and set aside for later use.
3. Using two machine screws (not provided), fasten the crossbar (A) to the electric box.

**Note:** A new electric box comes with screws. When replacing a fixture, retain the existing screws for use with the new fixture.

4. Height of fixture can be set before attaching the fixture to the ceiling. Remove screws w/lock washers (O) and canopy plate (N) from canopy (D). If height is going to stay at max length or just a slight height adjustment is needed it may not be necessary to remove the canopy plate.

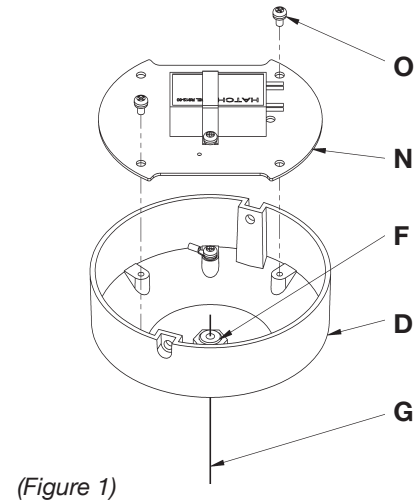
**Note:** Fixture is shipped at max height.

5. Push supply/support cable (G) into canopy gripper (F) until desired height is reached.
6. Coil supply/support cable (G) in canopy (D) and place canopy plate (N) in canopy (D). Install screws w/lock washers (O) to secure plate.

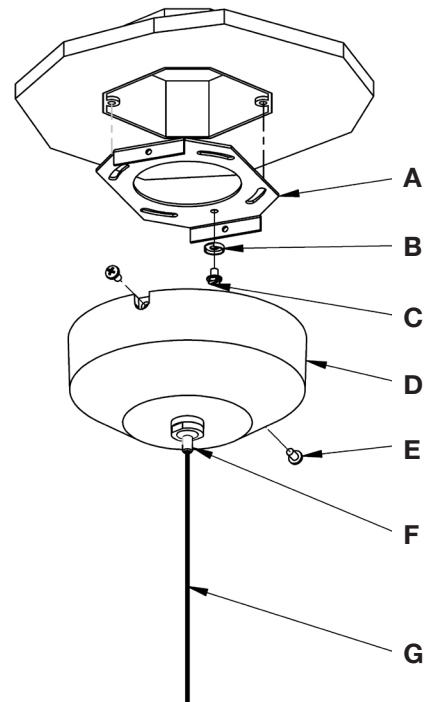
**CAUTION:** BE SURE NOT TO PINCH THE SUPPLY/SUPPORT CABLE IN BETWEEN THE CANOPY (D) AND THE CANOPY PLATE (N).

7. Using suitable wire connectors (not provided) connect fixture wires to supply wires (white to white or ribbed side of the fixture cord, black to black or smooth side). Run a pigtail lead from crossbar ground screw (C) to the junction box and connect all ground wires (bare copper or green to bare copper or green).

(Continued)



(Figure 1)



(Figure 2)

If you need further assistance, or find that you are missing any parts, please contact the dealer from which you purchased this product. We hope you enjoy your fixture!

\* Hubbardton Forge will not be liable for injury or damage caused by improper installation, lamping or use of this fixture.

# Installation Instructions

A344

Staccato Pendant Vintage Platinum: 161090

Page 2 of 2

## To Install the Canopy (Figures 1 & 2)

(Continued)

**CAUTION:** MAKE SURE WIRE CONNECTORS ARE TWISTED ON SECURELY, AND NO BARE WIRE IS EXPOSED.

8. Raise canopy (D) and fixture close to ceiling. Align holes in canopy (D) with holes in crossbar (A) and secure with (2) #8 screws (E).
9. If fixture needs to be lowered to achieve desired height, loosen gripper nut and push up on canopy gripper (F) and gently pull down on supply/support cable (G).

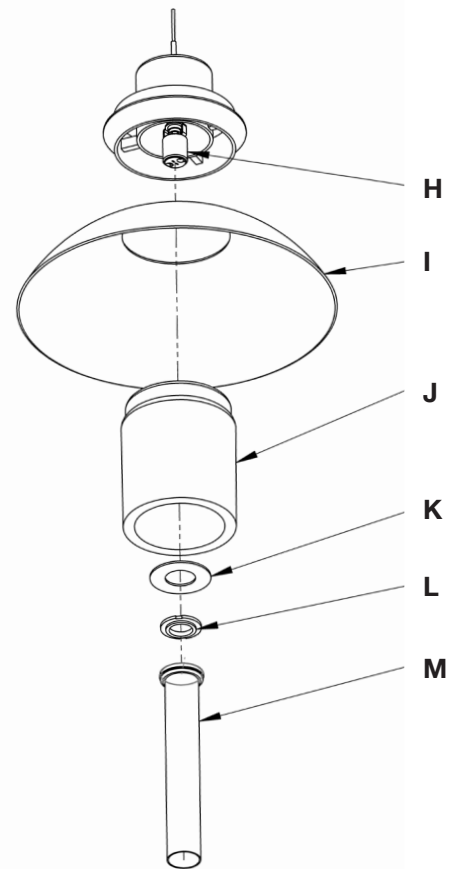
**Note:** Excessive movement of cable through the gripper could cause cable to fray slightly. Usage of the cable gripper is not recommended to frequently adjust the fixture up and down in height.

## To Install Metal Shade & Glass (Figure 3)

### Component Parts

- H Socket
- I Metal Shade
- J Glass
- K Washer
- L Retaining Ring
- M Retaining Ring Tool

1. Remove retaining ring (L) from socket (H) and retain for later use. Retaining Ring is shipped installed.
2. Install bulb (not included). Be careful not to touch bulb with bare hands; oil from the hands will dramatically reduce bulb life.
3. Place metal shade (I) over glass (J) and then place glass (J) over socket (H).
4. Set washer (K) over socket.
5. Thread retaining ring (L) onto socket (H) and tighten using retaining ring tool (M) until snug against glass (J). Do not over-tighten.
6. Restore electricity at the main breaker.



(Figure 3)

If you need further assistance, or find that you are missing any parts, please contact the dealer from which you purchased this product. We hope you enjoy your fixture!

\*Hubbardton Forge will not be liable for injury or damage caused by improper installation, lamping or use of this fixture.