

Assembly & Installation Instructions

A251

Adjustable Mobius Shade Pendant 13-4501

Page 1 of 6

CAUTION: FAILURE TO INSTALL THIS FIXTURE PROPERLY MAY RESULT IN SERIOUS PERSONAL INJURY OR DEATH AND PROPERTY DAMAGE. We recommend installation by a licensed electrician.

This product must be installed in accordance with applicable installation code(s), by a person familiar with the construction and operation of the product and the hazards involved.*

Caution: Do not exceed maximum wattage noted on fixture. Use only recommended bulbs with fixture.

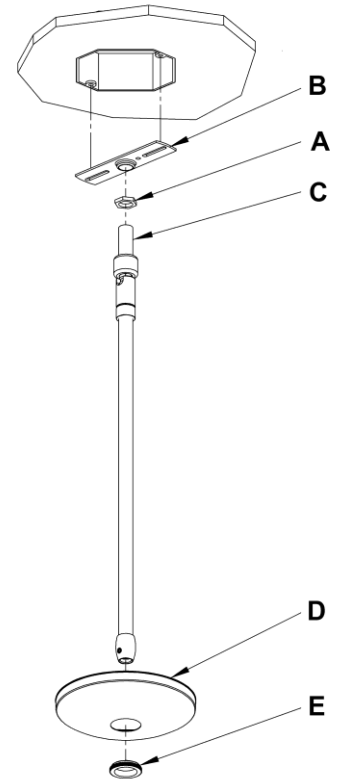
Prepare the Canopy (Figure 1)

Component Parts

- A Jam Nut
- B Crossbar
- C Threaded Nipple
- D Canopy
- E Canopy Ring

Caution: Be sure power is off at the main breaker box prior to installation.

1. Thread jam nut (A) and crossbar (B) onto threaded nipple (C); leave both parts loose.
2. Using two machine screws (not provided), temporarily fasten the crossbar (B) to the electric box. **Note:** A new electric box comes with screws. When replacing a fixture, retain the existing screws for use with the new fixture.
3. Adjust the length of threaded nipple (C) in crossbar (B) so that canopy ring (E) will hold canopy (D) against the ceiling with no threads showing for best appearance. When the correct adjustment is established, tighten jam nut (A) against crossbar (B) to hold the adjustment.
4. Remove the crossbar and stem from the electrical box and proceed with the assembly instructions.



(Figure 1)

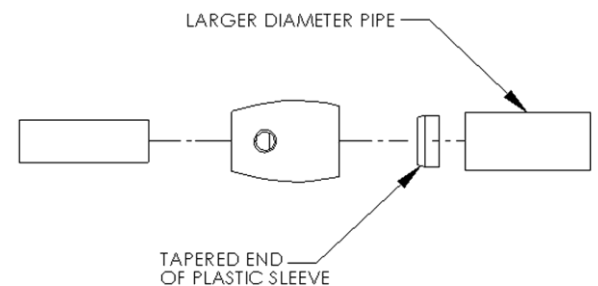
Complete Assembly & Install Fixture (Figures 2 & 3)

Component Parts

- D Canopy
- E Canopy Ring
- F Canopy Pipe
- G Fixture Pipe
- H Plastic Sleeve
- I Clutch
- J Set Screw
- K Ground Screw
- L Shade Spider
- M Retaining Ring
- N Socket

Caution: Be sure power is off at the main breaker box prior to installation.

1. Carefully thread fixture pipe (G), threaded end first, over fixture wires.
2. Apply a drop of the supplied thread locking compound to the internal threads of fixture coupling and screw stem into fixture, being careful not to twist or pinch the wires.



(Figure 2)

(continued)

Assembly & Installation Instructions

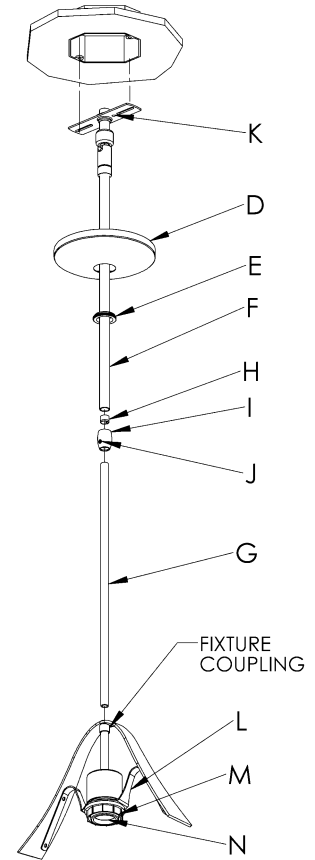
A251

Adjustable Mobius Shade Pendant 13-4501

Page 2 of 6

Note: Application of the thread locking compound is necessary to prevent the stem from loosening during regular maintenance and cleaning of the fixture. Be certain to apply the compound.

1. Place canopy (D) over canopy pipe (F), followed by canopy ring (E). Make sure smaller diameter side of canopy ring is oriented up toward the canopy.
2. Thread wires from the fixture pipe (G) through the canopy pipe (F).
3. Unscrew the clutch (I) from the canopy pipe (F); slide it across the wires and onto the fixture pipe (G). Follow this with the plastic clutch sleeve (H), oriented so the tapered end of the clutch sleeve nests in the clutch. (Figure 2).
4. Slide the canopy pipe (F) as far as necessary to give you the total length of the fixture which you desire. Be careful not to scratch the pipe surfaces and to pull excess wire up through the canopy pipe (F). There must be a minimum 1-1/2" of inner pipe inside the outer pipe. Hand-tighten the clutch to temporarily hold this adjustment. The clutch is not securely fastened at this point; do not depend on it to hold the fixture. Important: To ensure full connection strength, be sure the tapered end of the plastic clutch sleeve is oriented toward the clutch when assembled and securely tighten set screw (Figure 3).
5. Carefully slide canopy ring (E) and canopy (D) down over fixture pipe (G) until they rest on the fixture.
6. Using two machine screws (not provided), fasten the crossbar to the electric box.
Note: A new electric box comes with screws. When replacing a fixture, retain the existing screws for use with the new fixture.
7. Using suitable wire connectors (not provided), connect fixture wires to supply wires (white to white supply, black to black supply). Run a pigtail lead from crossbar ground screw (K) to the junction box and connect all ground wires (bare copper or green to bare copper or green). Push wires back into outlet box. **Caution:** Make sure wire connectors are twisted on securely, and no bare wire is exposed.
8. Slide fixture canopy (D) against ceiling, and secure with canopy ring (E).
9. Once the fixture is fastened to the ceiling, tighten the set screw (J) firmly with hex wrench provided.
10. Remove retaining ring (M) from socket (N). Slip shade spider (L) from socket and store both parts for later use. Retaining ring and shade spider are shipped installed on socket.
11. Refer to instructions below to install shade and light bulb.



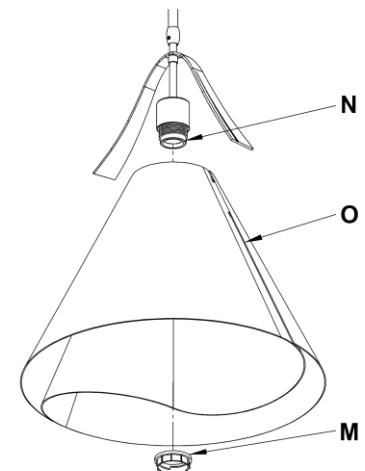
(Figure 3)

Install Shade (Figure 4)

Component Parts

- M Retaining Ring
- N Socket
- O Shade Assembly

1. Refer to instructions beginning on next page to assemble shade.
2. Slip shade assembly (O) over socket (N).
3. Thread retaining ring (M) onto socket (N).
4. Install light bulb. (Not Included)
5. Restore electricity at the main breaker.



(Figure 4)

(continued)

Assembly & Installation Instructions

Adjustable Mobius Shade Pendant 13-4501

A251

Page 3 of 6



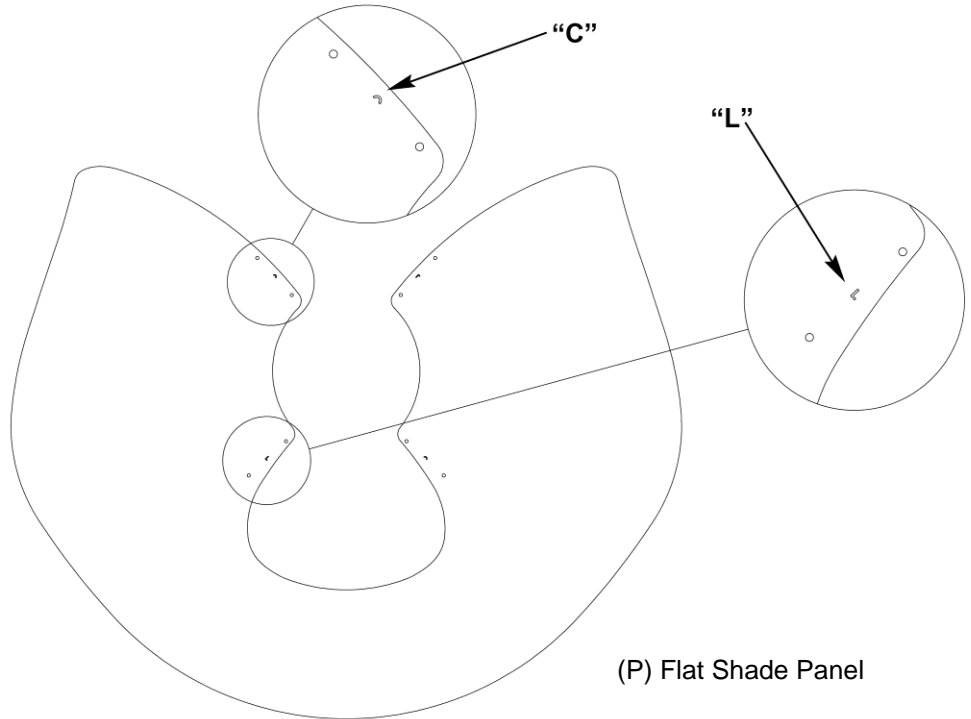
To see a video on how to assemble the Mobius shade, go to:
<http://www.youtube.com/user/HubbardtonForge?v=uc3yX8f4iKc>

Assemble Shade

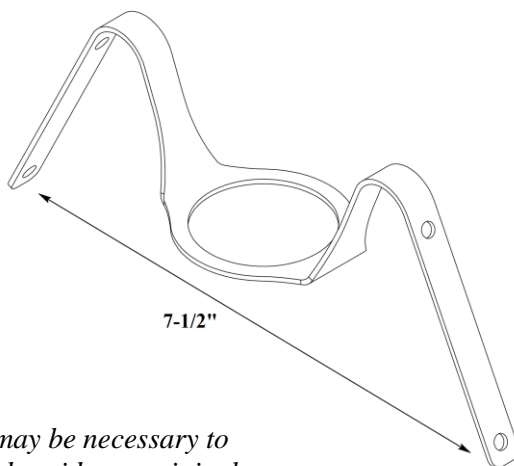
Component Parts

- L Shade Spider
- P Flat Shade Panel
- Q Bracket with Studs (2)
- R Knurled Balls (4)

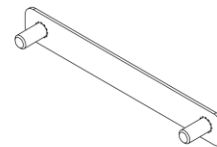
Step 1 Identify all parts needed.



(L) Shade Spider



Note: It may be necessary to form shade spider to original width after shipment.



(Q) Bracket with Studs (2)



(R) Knurled Balls (4)

(continued)

Assembly & Installation Instructions

Adjustable Mobius Shade Pendant 13-4501

A251

Page 4 of 6

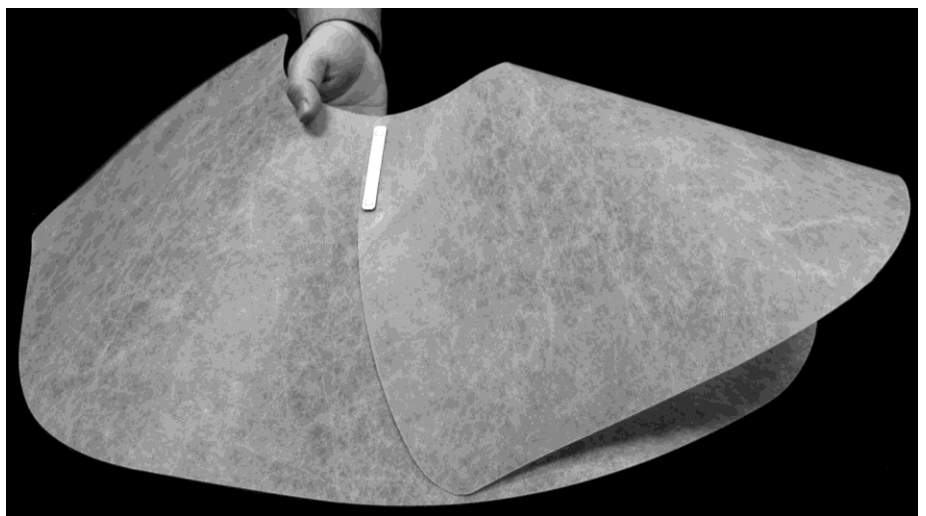
Step 2 Fold shade panel over and align the letter designations "C".
Note: Top letter "C" should be oriented the same as bottom letter "C".



Step 3 Slip bracket with studs (Q) through the "C" side of the shade panel (P).



Shade panel should appear like this at this point.



(continued)

Assembly & Installation Instructions

Adjustable Mobius Shade Pendant 13-4501

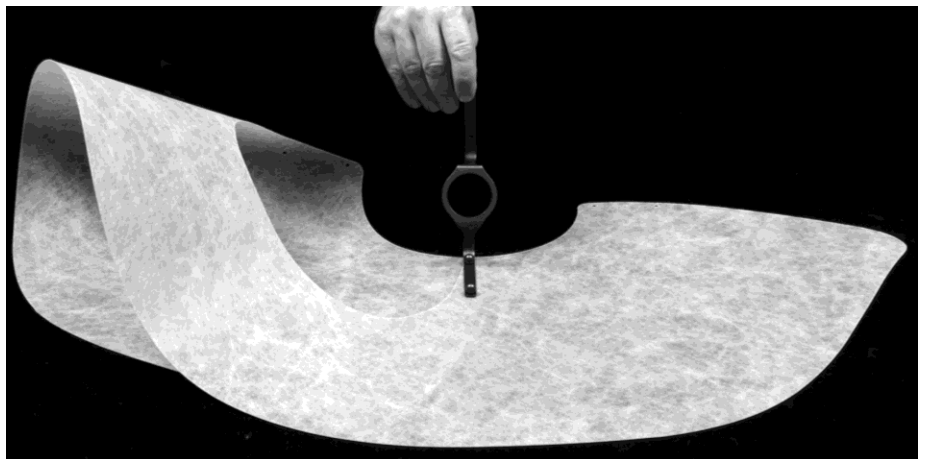
A251

Page 5 of 6

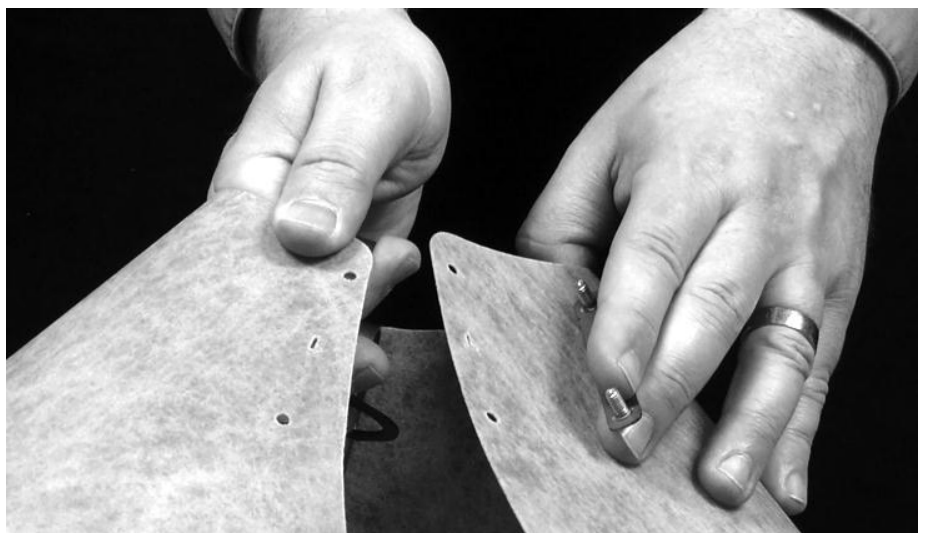
Step 4 Flip shade panel (P) over and install shade spider (L) onto the two studs.



Step 5 Install knurled balls (R) onto the two studs.



Step 6 Match the two "L" sides together.



Assembly & Installation Instructions

Adjustable Mobius Shade Pendant 13-4501

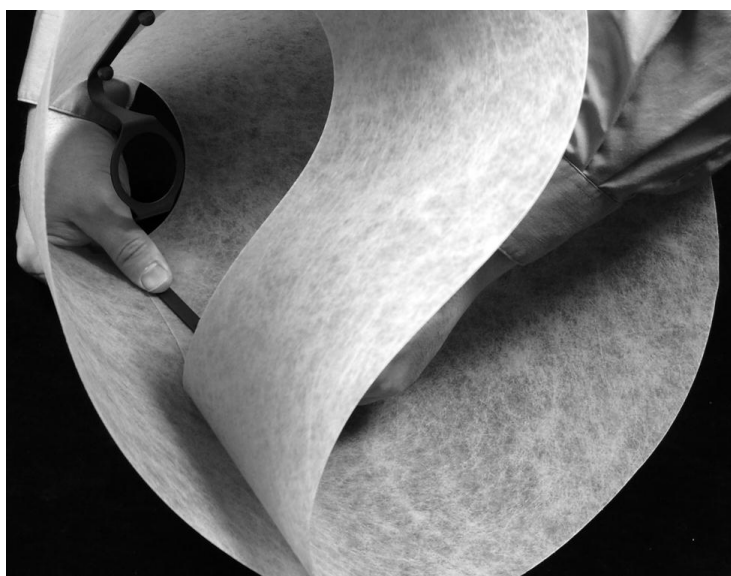
A251

Page 6 of 6

Step 7 Fold the shade panel (P) with the bracket (Q) and studs towards the shade spider (L) and push the studs through the holes in the shade panel (P) and out through the spider (L) on the inside.



Step 8 Install knurled balls (R).



Complete assembled shade.



If you need further assistance, or find that you are missing any parts, please contact the dealer from which you purchased this product. We hope you enjoy your fixture!

* Hubbardton Forge will not be liable for injury or damage caused by improper installation, lamping or use of this fixture.