

Installation Instructions

CAUTION: FAILURE TO INSTALL THIS FIXTURE PROPERLY MAY RESULT IN SERIOUS PERSONAL INJURY OR DEATH AND PROPERTY DAMAGE. We recommend installation by a licensed electrician.

This product must be installed in accordance with applicable installation code(s), by a person familiar with the construction and operation of the product and the hazards involved.*

Caution: Do not exceed maximum wattage noted on fixture. Use only recommended bulbs with fixture.

Please Note: After installation extra hardware and accessories are possible; our kits are used on multiple products and options.

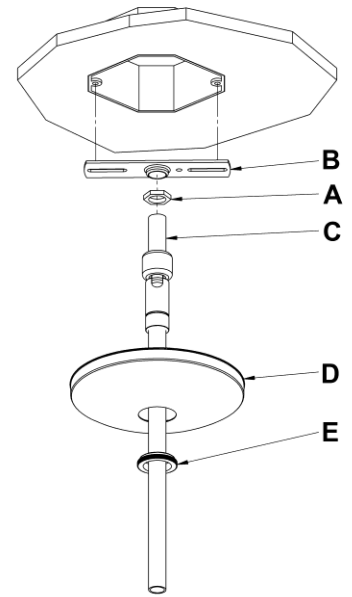
Prepare the Canopy (Figure 1)

Component Parts

- A Jam Nut (2)
- B Crossbar
- C Threaded Nipple
- D Canopy
- E Canopy Ring

Caution: Be sure power is off at the main breaker box prior to installation.

1. Thread jam nut (A) and crossbar (B) onto threaded nipple (C); leave parts loose. **Note:** Fixture comes with two jam nuts but in most cases only one is needed.
2. Using two machine screws (not provided), temporarily fasten the crossbar (B) to the electric box. **Note:** A new electric box comes with screws. When replacing a fixture, retain the existing screws for use with the new fixture.
3. Adjust the length of threaded nipple (C) in crossbar (B) so that canopy ring (E) will hold canopy (D) against the ceiling with no threads showing for best appearance. When the correct adjustment is established, tighten jam nut (A) against crossbar (B) to hold the adjustment.
4. Remove the crossbar and stem from the electrical box and proceed with the assembly instructions.

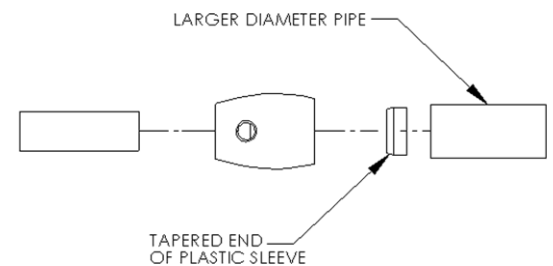


(Figure 1)

Complete Assembly & Install Fixture (Figures 2 & 3)

Component Parts

- | | |
|----------------|------------------|
| A Canopy | E Plastic Sleeve |
| B Canopy Ring | F Clutch |
| C Canopy Pipe | G Set Screw |
| D Fixture Pipe | K Ground Screw |



(Figure 2)

Caution: Be sure power is off at the main breaker box prior to installation.

1. Place canopy (D) over canopy pipe (F), followed by canopy ring (E). Make sure smaller diameter side of canopy ring is oriented up toward the canopy.
2. Carefully slide canopy ring (E) and canopy (D) down over fixture pipe (G) until they rest on the fixture
3. Thread wires from the fixture pipe (G) through the canopy pipe (F).
4. Unscrew the clutch (I) from the canopy pipe (F); slide it across the wires and onto the fixture pipe (G). Follow this with the plastic clutch sleeve (H), oriented so the tapered end of the clutch sleeve nests in the clutch (Figure 2).

(continued)

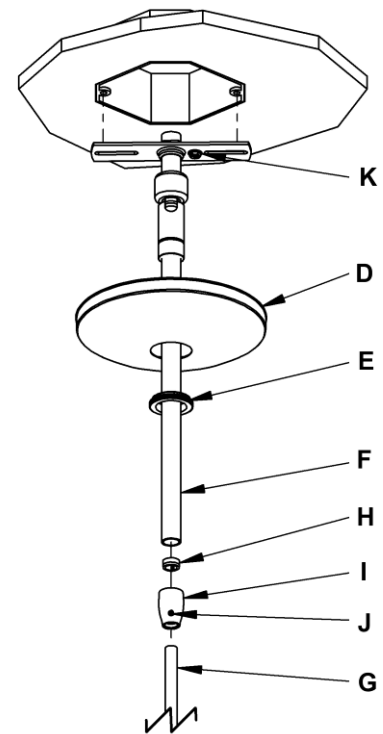
Installation Instructions

For Axis Single Pendant 18-640

A234

Page 2 of 2

- Slide the canopy pipe (F) as far as necessary to give you the total length of the fixture which you desire. Be careful not to scratch the pipe surfaces and to pull excess wire up through the canopy pipe (F). There must be a minimum 1-1/2" of inner pipe inside the outer pipe. Hand-tighten the clutch to temporarily hold this adjustment. The clutch is not securely fastened at this point; do not depend on it to hold the fixture.
Important: To ensure full connection strength, be sure the tapered end of the plastic clutch sleeve is oriented toward the clutch when assembled and securely tighten set screw (Figure 2).
- Using two machine screws (not provided), fasten the crossbar to the electric box.
Note: A new electric box comes with screws. When replacing a fixture, retain the existing screws for use with the new fixture.
- Using suitable wire connectors (not provided) connect fixture wires to supply (white to white or ribbed and black to black or smooth). Run a pigtail lead from crossbar ground screw (K) to the junction box and connect all ground wires (bare copper or green to bare copper or green).
Caution: Make sure wire connectors are twisted on securely, and no bare wire is exposed.
- Slide fixture canopy (D) against ceiling, and secure with canopy ring (E).
- Once the fixture is fastened to the ceiling, tighten the set screw (J) firmly with hex wrench provided. Only after the set screw (J) is tight should the glass be installed.
- Refer to instructions below to install glass and light bulb.



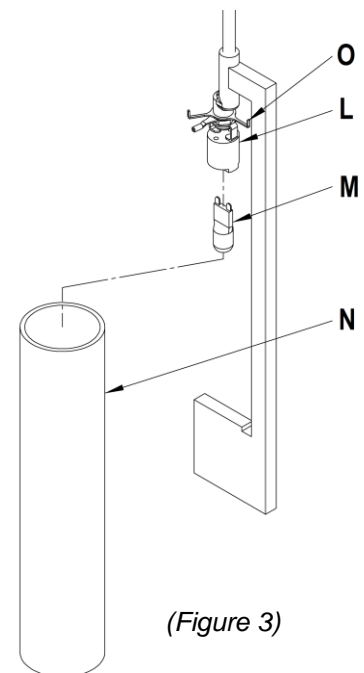
(Figure 3)

To Install Glass (Figure 4)

Component Parts

- L Socket
- M Bulb (Included)
- N Glass
- O Spider

- Install light bulb (M). Be careful not to touch bulb with bare hands; oil from the hands will dramatically reduce bulb life.
- Slip glass (N) over bulb (M) and socket (L) until it clears the fixture bottom. Glass is blown and one side is thicker than the other. It might be necessary to flip the glass over to achieve the best fit with spider (O). If glass still has a loose fit the spider can be adjusted by taking a pair of needle nose pliers and bending the three prongs outward.
- Lower glass so it rests on the notch at the bottom of the fixture.
- Restore electricity at main breaker.



(Figure 3)

If you need further assistance, or find that you are missing any parts, please contact the dealer from which you purchased this product. We hope you enjoy your fixture!

* Hubbardton Forge will not be liable for injury or damage caused by improper installation, lamping or use of this fixture.

HUBBARDTON FORGE®

Hand-Forged, Vermont-Made Lighting and Accessories
P.O. Box 827, 154 Route 30 South, Castleton, Vermont 05735

24207 Rev A