

# Assembly & Installation Instructions

A182

For 19 Series Adjustable Shade Pendants

Page 1 of 3

**CAUTION: FAILURE TO INSTALL THIS FIXTURE PROPERLY MAY RESULT IN SERIOUS PERSONAL INJURY OR DEATH AND PROPERTY DAMAGE.** We recommend installation by a licensed electrician. This product must be installed in accordance with applicable installation code(s), by a person familiar with the construction and operation of the product and the hazards involved.\*

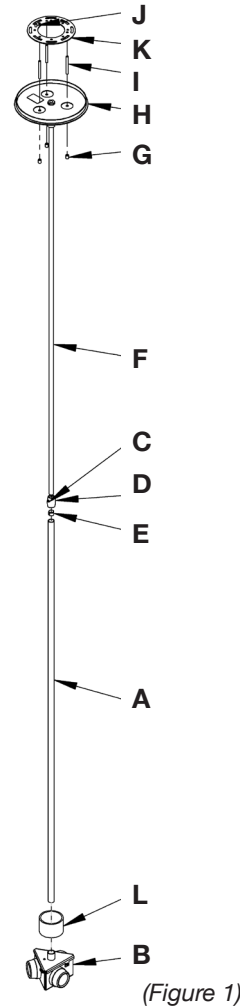
Caution: Do not exceed maximum wattage noted on fixture. Use only recommended bulbs with fixture.

## To Assemble Fixture (Figures 1 & 2)

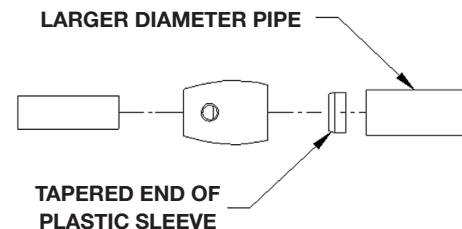
### Component Parts

|                   |                      |
|-------------------|----------------------|
| A Fixture Pipe    | G Barrel Knobs (3)   |
| B Socket Assembly | H Canopy             |
| C Set Screw (3)   | I Threaded Studs (3) |
| D Clutch          | J Ground Screw       |
| E Clutch Sleeve   | K Crossbar           |
| F Canopy Pipe     | L Spacer             |

1. Slip spacer (L) over fixture pipe (A).
2. Slide fixture pipe (A) over wires, threaded end first. Apply a drop of supplied thread locking compound to threads and screw fixture pipe (A) into threaded part of socket assembly (B).
3. Unscrew the clutch (D) from the fixture pipe (A); slide it across the wires and onto the canopy pipe (F). Follow this with the plastic clutch sleeve (E), oriented so the tapered end of the clutch sleeve nests in the clutch (Figure 4). Important: To ensure full connection strength, be sure the tapered end of the plastic clutch sleeve is oriented toward the clutch when assembled and securely tighten set screw (Figure 2).
4. Thread the wires from the fixture pipe (A) into and through the canopy pipe (F) and up through the canopy (H).
5. Slide the canopy pipe (F) as far as necessary to give you the total length of the fixture which you desire. Be careful not to scratch the pipe surfaces and to pull excess wire up through the canopy (H). There must be a minimum 1-1/2" of inner pipe inside the outer pipe. Screw clutch (D) on to canopy pipe (F) and hand-tighten the clutch to temporarily hold this adjustment. At this point the clutch is not securely fastened; do not depend on it to permanently hold the fixture.



(Figure 1)



(Figure 2)

(Continued)

If you need further assistance, or find that you are missing any parts, please contact the dealer from which you purchased this product. We hope you enjoy your fixture!

\* Hubbardton Forge will not be liable for injury or damage caused by improper installation, lamping or use of this fixture.

# Assembly & Installation Instructions

# A182

For 19 Series Adjustable Shade Pendants

Page 2 of 3

## To Install Fixture (Figures 1 & 2)

**CAUTION:** BE SURE POWER IS OFF AT THE MAIN BREAKER BOX PRIOR TO INSTALLATION.

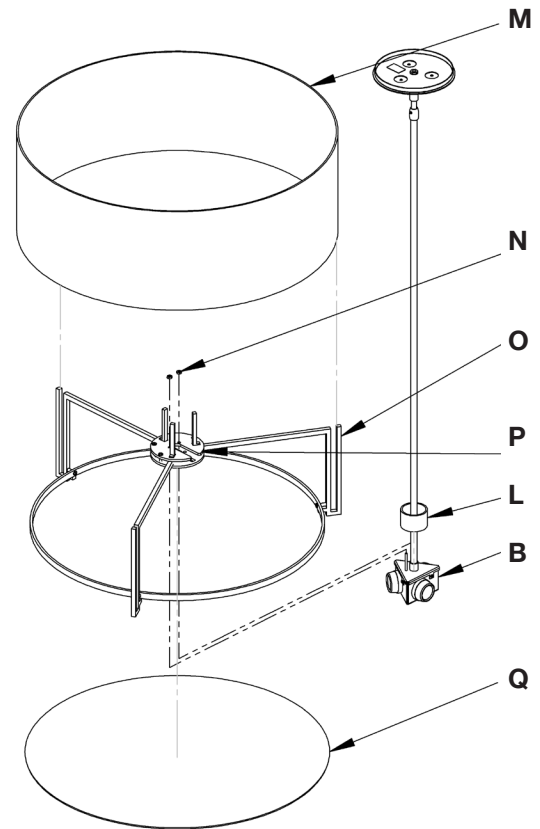
1. Thread studs (I) through appropriate holes in the crossbar (K) to match hole centers on canopy (H). Using two machine screws fasten the crossbar to the electric box using outer oval slots to orient fixture to desired hanging position.

**Note:** A new electric box comes with screws. When replacing a fixture, retain the existing screws for use with the new fixture.

2. Using suitable wire connectors (not provided) connect fixture wires to supply (white to white and black to black). Connect all ground wires to green ground screw (J).

**CAUTION:** MAKE SURE WIRE CONNECTORS ARE TWISTED ON SECURELY, AND NO BARE WIRE IS EXPOSED.

3. Slide fixture canopy (H) with fixture attached, over threaded studs (I) and push firmly to ceiling making sure that no wires are pinched between fixture canopy (H) and ceiling. Fasten with the barrel knobs (G). Be sure studs are fully seated in the barrel knobs.
4. Check fixture for height (see "To Assemble Fixture" step 2). **Tighten all three set screws in clutch with the supplied hex wrench to securely fasten the fixture to the canopy.**



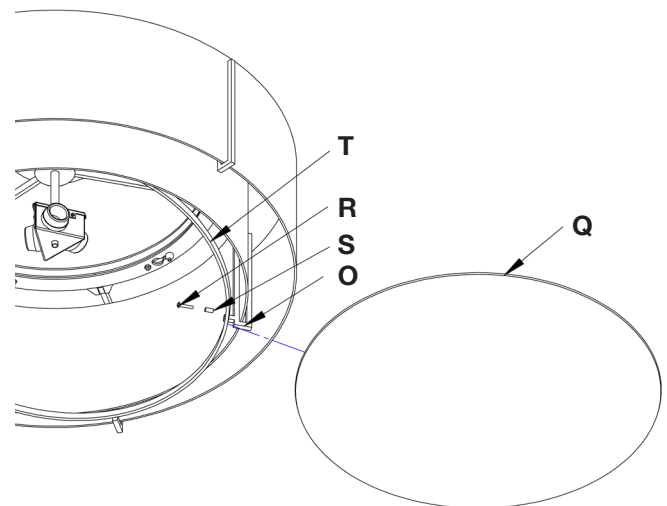
(Figure 3)

## To Install Inner Shade and Diffuser (Figures 3, 4 & 5)

### Component Parts

|                    |                   |
|--------------------|-------------------|
| B Socket Assembly  | P Inner Spider    |
| L Spacer           | Q Diffuser        |
| M Shade            | R Ring Screws (3) |
| N Ball Screw (2)   | S Ring Spacer (3) |
| O Support Arms (3) | T White Ring      |

1. Place shade (M) into notches of support arms (O).
2. Lift spacer (L) up off of socket assembly (B) and move shade (M) and inner spider assembly (P) up and over socket assembly (B) and secure with ball screws (N).
3. Place spacer (L) on top of socket assembly (B).
4. Lift Shade (M) to install light bulbs. (Fluorescent models bulbs are included).



(Figure 4)

(Continued)

If you need further assistance, or find that you are missing any parts, please contact the dealer from which you purchased this product. We hope you enjoy your fixture!

\*Hubbardton Forge will not be liable for injury or damage caused by improper installation, lamping or use of this fixture.

# Assembly & Installation Instructions

A182

For 19 Series Adjustable Shade Pendants

Page 3 of 3

## To Install Inner Shade and Diffuser (Figures 3, 4 & 5)

(Continued)

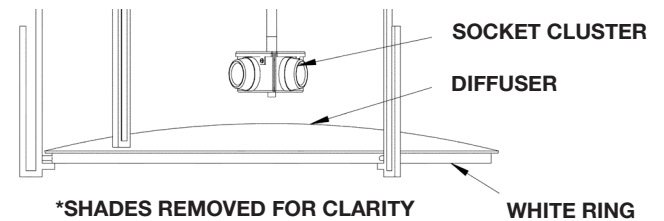
- Loosen one of the ring screws (R) and remove along with the ring spacer (S). Save for later use.
- Pull the white ring (T) down while flexing the support arm (O) out to allow the ring to slip down.
- While holding the ring down slip the diffuser (Q) between the white ring (T) and the support arm (O) and place on top of the white ring. Note: Make sure the diffuser is installed with the arc towards the bulbs. See Figure 5.
- Replace ring screw (R) and ring spacer (S) and tighten screw until snug.

## To Install Outer Shade (Figures 6, 7 & 8)

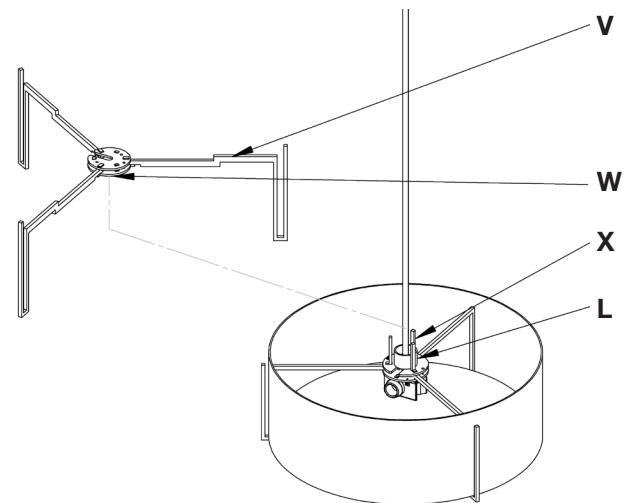
### Component Parts

- L Spacer
- U Shade
- V Support Arms (3)
- W Outer Spider Assembly
- X Fixture

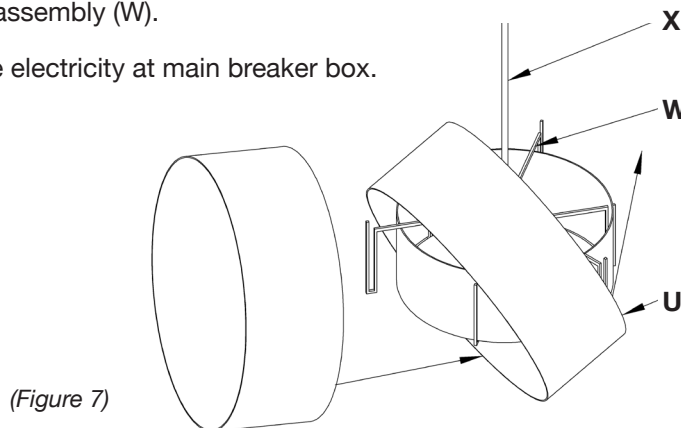
- Align outer spider assembly (W) so square openings line up with vertical uprights on fixture (X) (Figure 6).
- Lower outer spider assembly (W) onto vertical uprights until it is resting on spacer (L) (Figure 6).
- Install outer shade (U) by orienting per Figure 7 and slipping over outer spider assembly (W). It might be necessary to flex the shade slightly to clear all three support arms.
- Lower outer shade (U) until it rests in the brackets of outer spider assembly (W).
- Restore electricity at main breaker box.



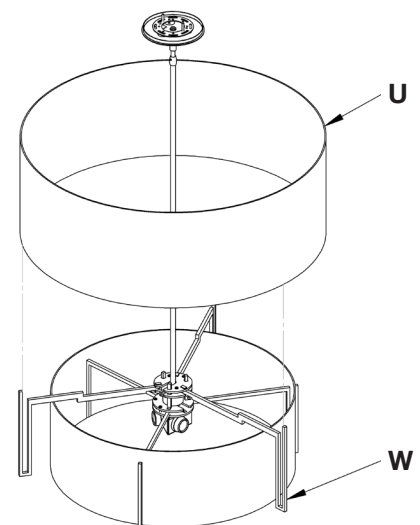
(Figure 5)



(Figure 6)



(Figure 7)



(Figure 8)

If you need further assistance, or find that you are missing any parts, please contact the dealer from which you purchased this product. We hope you enjoy your fixture!

\* Hubbardton Forge will not be liable for injury or damage caused by improper installation, lamping or use of this fixture.