

Assembly & Installation Instructions

A178

Ellipse Circular Adjustable Pendant 13-7530

Page 1 of 4

CAUTION: FAILURE TO INSTALL THIS FIXTURE PROPERLY MAY RESULT IN SERIOUS PERSONAL INJURY OR DEATH AND PROPERTY DAMAGE. We recommend installation by a licensed electrician.

This product must be installed in accordance with applicable installation code(s), by a person familiar with the construction and operation of the product and the hazards involved.*

Caution: Do not exceed maximum wattage noted on fixture. Use only recommended bulbs with fixture.

Stem Assembly (Figure 1)

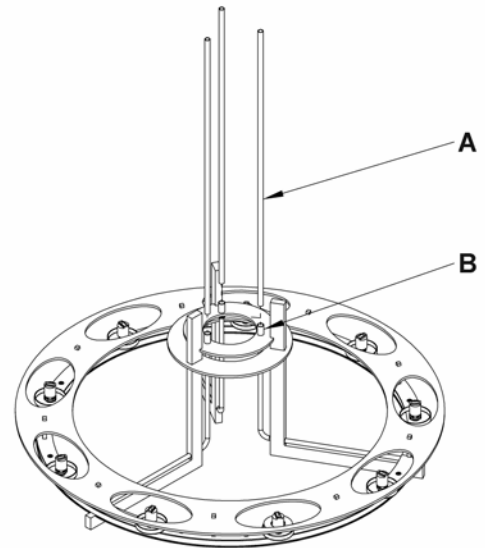
Component Parts

- A Fixture Pipe (3)
- B Fixture Coupling (3)

1. Carefully unpack the fixture from the carton.
2. Carefully thread fixture pipe (A), threaded end first, over fixture wires.
3. Apply a drop of the supplied thread locking compound to the internal threads of fixture coupling (B) and screw stem into fixture, being careful not to twist or pinch the wires.

Note: Application of the thread locking compound is necessary to prevent the stem from loosening during regular maintenance and cleaning of the fixture. Be certain to apply the compound.

4. See instructions below to complete the installation.



(Figure 1)

Assemble the Canopy Pipes (Figure 2)

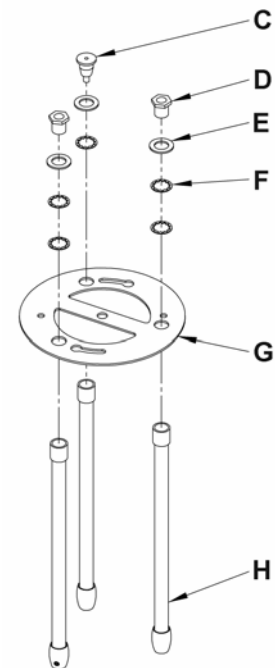
Component Parts

- C Cable Gripper
- D Hex Nipple (2)
- E Flat Washer (3)
- F Lock Washer (5)
- G Support Ring
- H Canopy Pipe

1. Apply a drop of the supplied thread locking compound to the external threads of hex nipple (D). Slip flat washer (E) and two lock washers (F) over hex nipple (D). Slip hex nipple (D) through support ring (G) and thread into canopy pipe (H). Do this twice.

Note: Application of the thread locking compound is necessary to prevent the stem from loosening during regular maintenance and cleaning of the fixture. Be certain to apply the compound.

2. Slip flat washer (E) and lock washer (F) over cable gripper (C). Slip cable gripper (C) through support ring (G) and thread into canopy pipe (H). *Do not apply thread lock to cable gripper at this point.*



(Figure 2)

(continued)

Assembly & Installation Instructions

Ellipse Circular Adjustable Pendant 13-7530

A178

Page 2 of 4

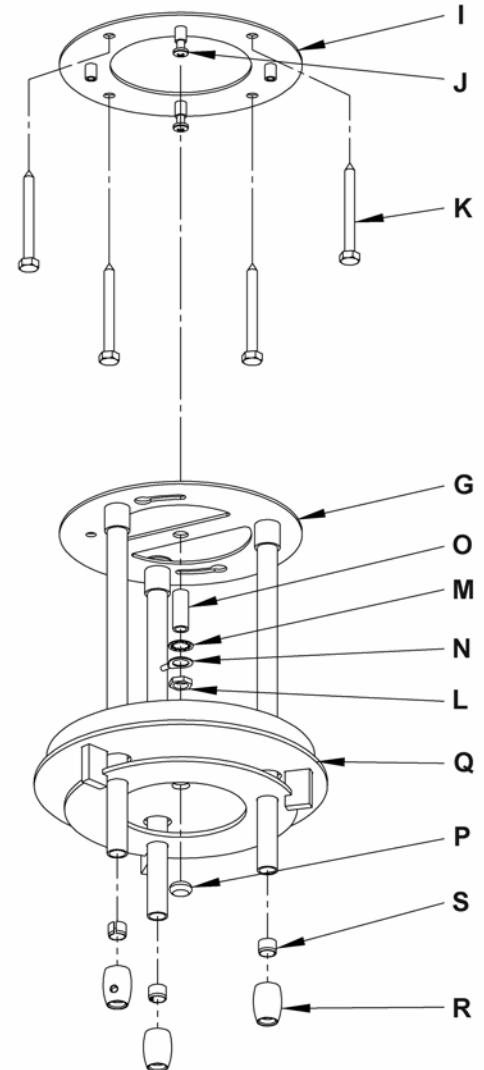
Prepare the Canopy (Figure 3)

Component Parts

C	Cable Gripper	M	Lock Washer
G	Support Ring	N	Ground Wire
H	Canopy Pipe	O	Threaded Nipple
I	Crossbar	P	Threaded Button
J	10-32 Screw (4)	Q	Canopy
K	Lag Screw (4)	R	Clutch
L	Jam Nut		

Caution: Be sure power is off at the main breaker box prior to installation.

1. Using four lag screws (K) attach crossbar (I) to a structural member in the ceiling, centering the crossbar over the outlet box. We've supplied lag screws with your fixture; however, different materials and/or construction methods may require different fasteners. If in doubt, contact a qualified electrician. Do not attach crossbar directly to outlet box.
2. Thread jam nut (L), ground wire (N) and lock washer (M) onto threaded nipple (O); leave parts loose. Thread into center hole of support ring (G).
3. Install two 10-32 screws (J) into crossbar (I). Thread in only a couple of threads.
4. Remove three clutches (R) & plastic clutch sleeves (S). Set aside for later use.
5. Raise support ring (G) with three canopy pipes (H) installed up to crossbar (I) aligning keyed slots with the two screws installed in the crossbar.
6. Turn support ring (G) until it stops.
7. Temporarily tighten two 10-32 screws (J).
8. Slip canopy (Q) up the three canopy pipes (H) until it rests against the ceiling.
9. Adjust threaded nipple (O) in the center of the crossbar (I) until it protrudes approximately 1/8" below the canopy (Q).
10. When the correct adjustment is established, tighten jam nut (L) against crossbar (I) to hold the adjustment.
11. Remove the canopy (Q) and support ring (G) from the crossbar (I) by loosening the two 10-32 screws (J).



(Figure 3)

(continued)

Assembly & Installation Instructions

Ellipse Circular Adjustable Pendant 13-7530

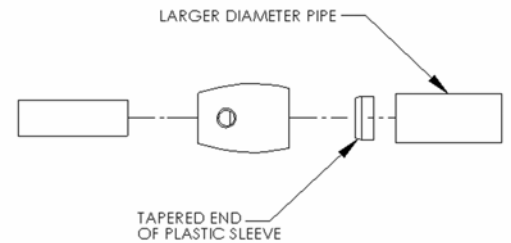
A178

Page 3 of 4

To Install to Ceiling (Figures 4, 5 & 6)

Component Parts

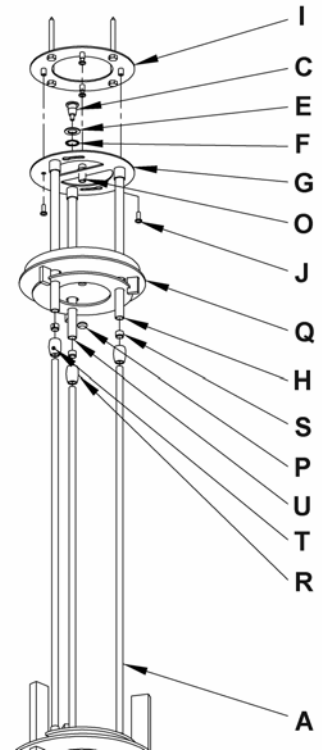
A	Fixture Pipe (3)	N	Ground Wire
C	Cable Gripper	O	Threaded Nipple
E	Flat Washer	P	Threaded Button
F	Lock Washer	Q	Canopy
G	Support Ring	R	Clutch (3)
H	Canopy Pipe	S	Plastic Clutch Sleeve (3)
I	Crossbar	T	Set Screw (2)
J	10-32 Screw (4)	U	Cable



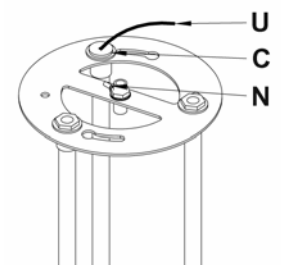
(Figure 4)

Caution: Be sure power is off at the main breaker box prior to installation.

1. Place canopy (Q) over canopy pipes (H).
2. Reinstall clutch sleeve (S) and clutch (R) onto canopy pipes (H).
3. Remove cable gripper (C) from support ring along with flat washer (E) and lock washer (F). Set aside for later use.
4. Thread wires and support cable (U) from the fixture pipe (A) through the canopy pipe (H) and out of top side of support ring (G). Make sure the cable (U) is aligned with the hole the cable gripper (C) will be installed in. **Note:** *Cable and wires are in separate pipes.*
5. Pull the cable (U) through the lock washer (F), flat washer (E) and cable gripper (C).
6. Apply a drop of the supplied thread locking compound to the external threads of the cable gripper (C). Slip flat washer (E) and lock washer (F) over cable gripper (C). Slip cable gripper (C) through support ring (G) and thread into canopy pipe (H).
7. Unscrew the clutch (R) from the canopy pipe (H); slide it across the wires and onto the fixture pipe (A). Follow this with the plastic clutch sleeve (S), oriented so the tapered end of the clutch sleeve nests in the clutch (Figure 4).
8. Slide the canopy pipe (H) as far as necessary to give you the total length of the fixture which you desire. Be careful not to scratch the pipe surfaces and to pull excess wire up through the canopy pipe (H). There must be a minimum 1-1/2" of inner pipe inside the outer pipe. Hand-tighten the clutch to temporarily hold this adjustment. The clutch is not securely fastened at this point; do not depend on it to hold the fixture.
Important: To ensure full connection strength, be sure the tapered end of the plastic clutch sleeve is oriented toward the clutch when assembled and securely tighten set screw (Figure 4).
9. Pull cable (U) through cable gripper (C) until tight. Remove excess cable (Figure 6).
10. Raise fixture to ceiling aligning two 10-32 screws (J) installed in the cross bar previously with the keyed slots in the support ring (G). Turn fixture until all four holes in the support ring (G) align with the threads in crossbar (I). Tighten the screws.



(Figure 5)



(Figure 6)

(continued)

Assembly & Installation Instructions

Ellipse Circular Adjustable Pendant 13-7530

A178

Page 4 of 4

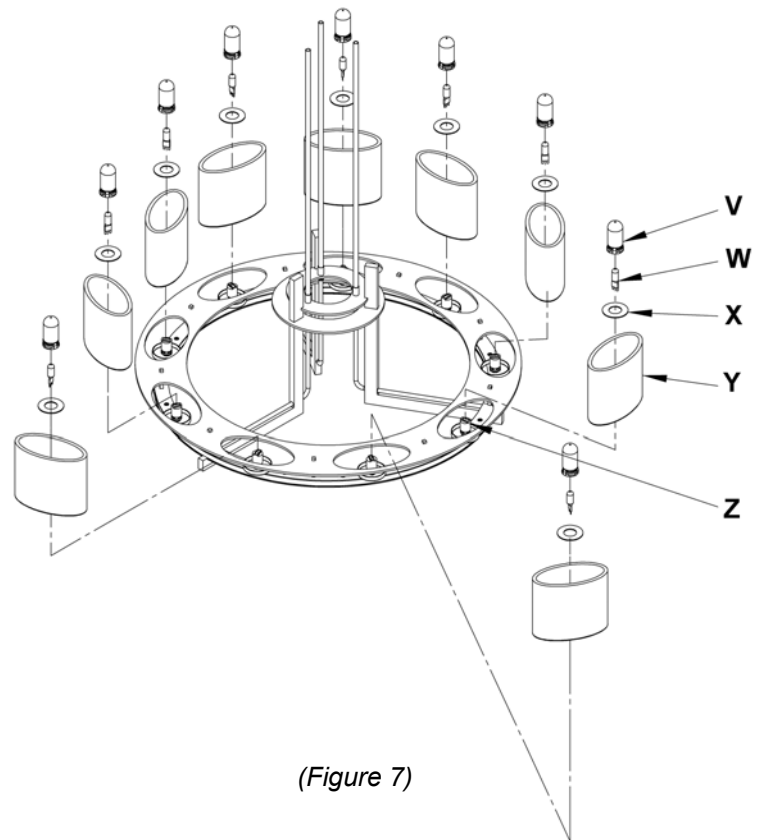
11. Install the other two 10-32 screws (J).
12. Using suitable wire connectors (not provided), connect fixture wires to supply wires (white to white supply, black to black supply, and bare copper to bare copper or green supply along with green lead (N) from the support ring). Push wires back into outlet box.
Caution: Make sure wire connectors are twisted on securely, and no bare wire is exposed.
13. Slide fixture canopy (Q) against ceiling, and secure with threaded button.
14. Once the fixture is fastened to the ceiling, tighten one clutch set screw (T) firmly with hex wrench provided. Make any needed height adjustments to level the fixture, then tighten the other two set screws. Only after all three set screws (T) are tight should you install the glass.
15. Refer to instructions below to install glass and light bulb.

Install Glass (Figure 7)

Component Parts

- V Bulb Shield (9)
- W Bulb (supplied) (9)
- X Washer (9)
- Y Glass (9)
- Z Socket (9)

1. Install bulb (supplied). Be careful not to touch bulb with bare hands; oil from the hands will dramatically reduce bulb life.
2. Place glass (Y) over socket (Z).
3. Place washer (X) over socket (Z) until it rests on the bottom inside of glass (Y).
4. Thread bulb shield (V) onto Socket (Z). Future bulb changes may be accomplished by snapping glass bulb shield on and off rather than unthreading the holder.
5. Restore electricity at the main breaker.



If you need further assistance, or find that you are missing any parts, please contact the dealer from which you purchased this product. We hope you enjoy your fixture!

* Hubbardton Forge will not be liable for injury or damage caused by improper installation, lamping or use of this fixture.