

# Assembly & Installation Instructions

For Presidio Tryne Chandelier 19-443600

**A128**

Page 1 of 3

**CAUTION: FAILURE TO INSTALL THIS FIXTURE PROPERLY MAY RESULT IN SERIOUS PERSONAL INJURY OR DEATH AND PROPERTY DAMAGE. We recommend installation by a licensed electrician.**

This product must be installed in accordance with applicable installation code(s), by a person familiar with the construction and operation of the product and the hazards involved.\*

**Caution:** Do not exceed maximum wattage noted on fixture. Use only recommended bulbs with fixture.

## **To Attach Fixture Pipes** (Figure 1)

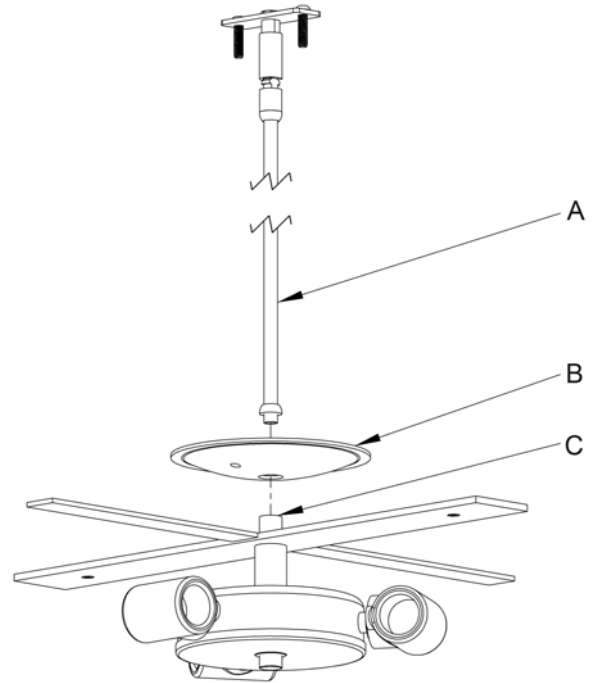
### Component Parts

- A Pipe Assembly
- B Canopy Cover
- C Fixture Coupling

1. Carefully unpack the fixture from the carton.
2. Carefully slip pipe assembly (A) over fixture wires.
3. Slip canopy cover (B) over pipe assembly (A).
4. Apply a drop of the supplied thread locking compound to the internal threads of the fixture coupling (B) and screw pipe assembly (A) into fixture, being careful not to twist the wires.

**Note:** Application of the thread locking compound is necessary to prevent the stem from loosening during regular maintenance and cleaning of the fixture. Be certain to apply the compound.

5. See instructions below to complete the installation.



(Figure 1)

## **Install the Canopy** (Figures 2 & 3)

### Component Parts

- |                |                      |                     |
|----------------|----------------------|---------------------|
| B Canopy Cover | F Lag Screw (4)      | I Threaded Rod (3)  |
| D Hanger Plate | G Canopy             | J Threaded Stud (2) |
| E Crossbar     | H 1/4-20 Hex Nut (5) | K Knurl Ball (2)    |

**Caution:** Be sure power is off at the main breaker box prior to installation.

**Caution:** This fixture must be supported independently of an outlet box.

See Figure 2 for steps 1 thru 4

1. Using at least two lag screws (G) attach cross bar (E) to a structural member in the ceiling, centering the crossbar over the outlet box. We've supplied lag screws with your fixture; however, different materials and/or construction methods may require different fasteners. If in doubt, contact a qualified electrician. Do not attach crossbar directly to outlet box.

(continued)

# Assembly & Installation Instructions

For Presidio Tryne Chandelier 19-443600

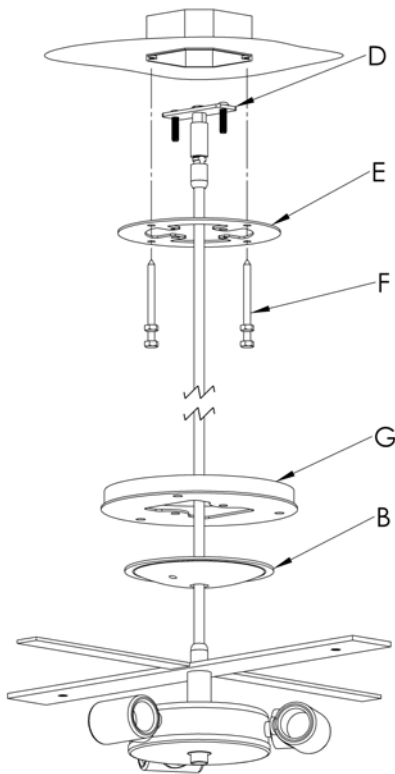
**A128**

Page 2 of 3

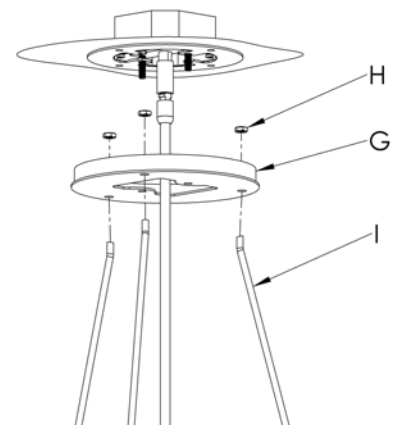
2. Place canopy (G) over hanger plate (D) and gently lower it so that it rests against canopy cover (B) and body of fixture.
3. Push hanger plate (D) at top of fixture up into electrical box, past the crossbar. Turn the hanger plate and drop the threaded studs in the hanger plate into the larger inner holes in the crossbar. Make sure no wires are pinched.
4. Using suitable wire connectors (not provided), connect fixture wires to supply wires (white or ribbed side of fixture cord to white supply, black or smooth side of fixture cord to black supply, and bare copper to bare copper or green supply). Push wires back into outlet box. Caution: Make sure wire connectors are twisted on securely, and no bare wire is exposed.
5. Insert three support rods (I) down through outer holes in canopy (G) (Figure 3).

See Figure 4 for steps 6 thru 8

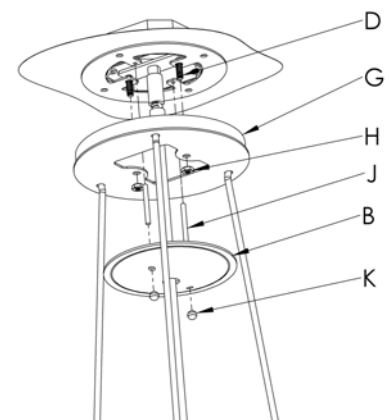
6. Slide canopy (G) up over the threaded studs in hanger plate (D) and against ceiling. Secure using two 1/4-20 nuts (H).
7. Start threaded studs (J) into threaded holes in crossbar.
8. Slide canopy cover (B) up over the threaded studs (J) and against the canopy. Secure with the two knurled balls (K).



(Figure 2)



(Figure 3)



(Figure 4)

(continued)

# Assembly & Installation Instructions

For Presidio Tryne Chandelier 19-443600

**A128**

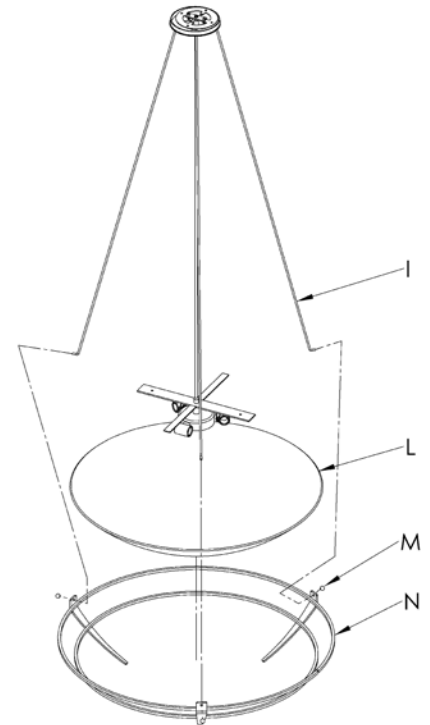
Page 3 of 3

## To Install Glass (Figure 5)

### Component Parts

- I Threaded Rod (3)
- P Glass
- Q Threaded Ball (3)
- R Ring Assembly

1. Install light bulbs prior to installing glass.
2. Insert the ends of two of the threaded rods (I) through two of the holes in the ring assembly (N). Secure with threaded balls (M).
3. Place glass (L) in ring assembly. Insert remaining support rod, securing with remaining threaded ball.
4. Level glass as needed.



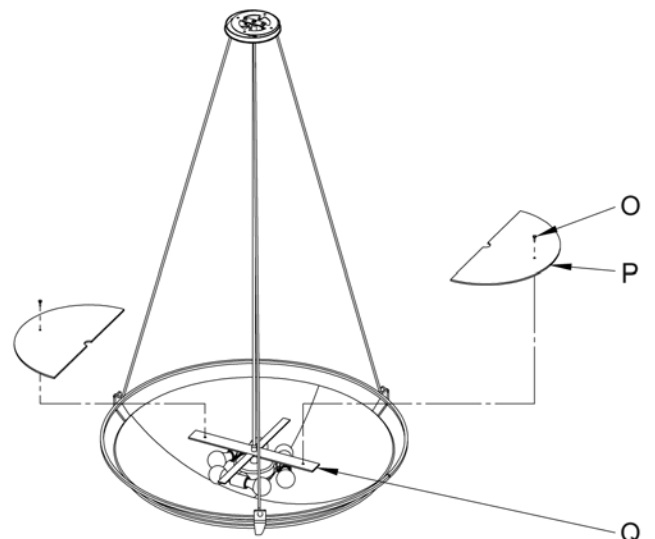
(Figure 5)

## To Install Diffuser (Figure 6)

### Component Parts

- O Thumb Screw (2)
- P Diffuser Glass (2)
- Q Support Bar

1. Install diffuser after fixture is installed.  
Place diffuser glass (O) onto support bar (P).
2. Secure diffuser glass by inserting thumb screws (O) into threaded holes in support bar (Q). **Do not over tighten.**
3. Restore Electricity.



(Figure 6)

*If you need further assistance, or find that you are missing any parts, please contact the dealer from which you purchased this product. We hope you enjoy your fixture!*

\* Hubbardton Forge will not be liable for injury or damage caused by improper installation, lamping or use of this fixture.