

Assembly & Installation Instructions

For Compass Chandelier 19-453010 & 19-453610

A122

Page 1 of 3

CAUTION: FAILURE TO INSTALL THIS FIXTURE PROPERLY MAY RESULT IN SERIOUS PERSONAL INJURY OR DEATH AND PROPERTY DAMAGE. We recommend installation by a licensed electrician.

This product must be installed in accordance with applicable installation code(s), by a person familiar with the construction and operation of the product and the hazards involved.*

Caution: Do not exceed maximum wattage noted on fixture. Use only recommended bulbs with fixture.

Install the Canopy (Figure 1)

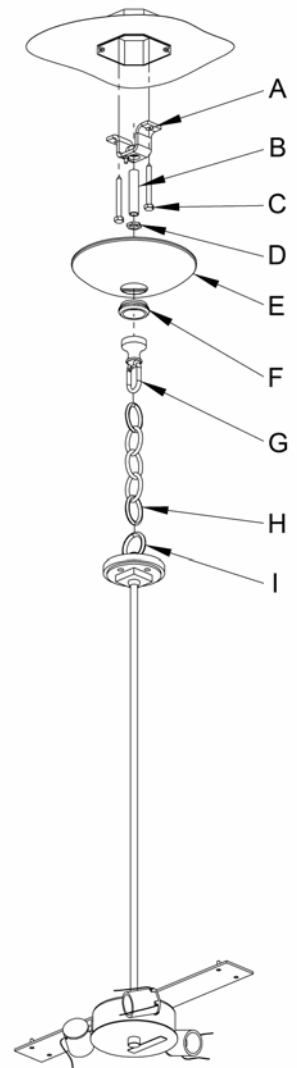
Component Parts

A	Crossbar	D	Lock Nut	G	Threaded Loop
B	Threaded Nipple	E	Canopy	H	Chain
C	Lag Screw (2)	F	Loop Collar	I	Fixture Loop

Caution: Be sure power is off at the main breaker box prior to installation.

Caution: This fixture must be supported independently of an outlet box. Crossbar is designed to fit in the bottom of a standard metal 4" octagonal outlet box.

1. Drill two holes through the back of the outlet box and using two lag screws (C) attach cross bar (A) to a structural member in the ceiling, centering the crossbar in the outlet box. We've supplied lag screws with your fixture; however, different materials and/or construction methods may require different fasteners. If in doubt, contact a qualified electrician.
2. Thread the nipple (B) into the crossbar (A).
3. Thread lock nut (D) and threaded loop (G) onto nipple, then place canopy (E) over threaded loop and adjust nipple length to ensure a snug canopy fit. Once the length is determined, set the canopy aside and lock nipple position by tightening the locknut (D) against the crossbar (A).
4. Attach one end of the chain (H) to the fixture loop (I).
5. Attach the other end of the chain to the threaded loop (F) and thread the fixture wires through every other link of the chain (H) and up through the threaded loop (G) and nipple (B) into the outlet box.
6. Using suitable wire connectors (not provided), connect fixture wires to supply wires (white or ribbed side of fixture cord to white supply, black or smooth side of fixture cord to black supply, and bare copper to bare copper or green supply). Push wires back into outlet box.
Caution: Make sure wire connectors are twisted on securely, and no bare wire is exposed.
7. Slide the canopy up the chain and over the threaded loop (G), securing with loop collar (F). Make sure no wires are pinched between the canopy (E) and the ceiling or crossbar (A).



(Figure 1)

Assembly & Installation Instructions

For Compass Chandelier 19-453010 & 19-453610

A122

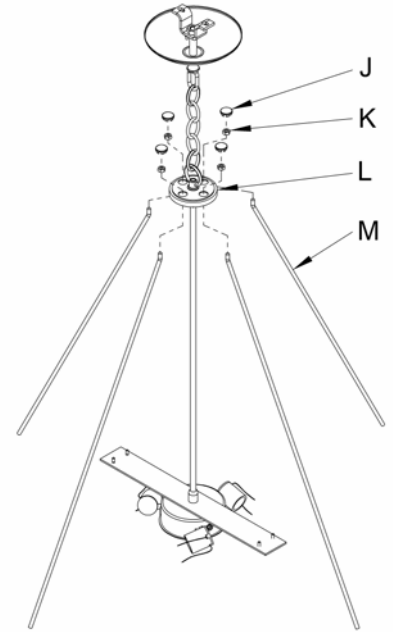
Page 2 of 3

Install the Threaded Rods (Figure 2)

Component Parts

- J Plug
- K Hex Nut (4)
- L Loop Assembly
- M Threaded Rod (4)

1. Slip bent end of threaded rod (M) through holes in loop assembly (L).
2. Thread hex nut (K) onto threaded rod (M) until bottomed out and snug.
3. Lower threaded rod (M) until hex nut (K) sits flat inside loop assembly (L).
4. Install plug (J) in holes of loop assembly (L) to cover hex nut (K).



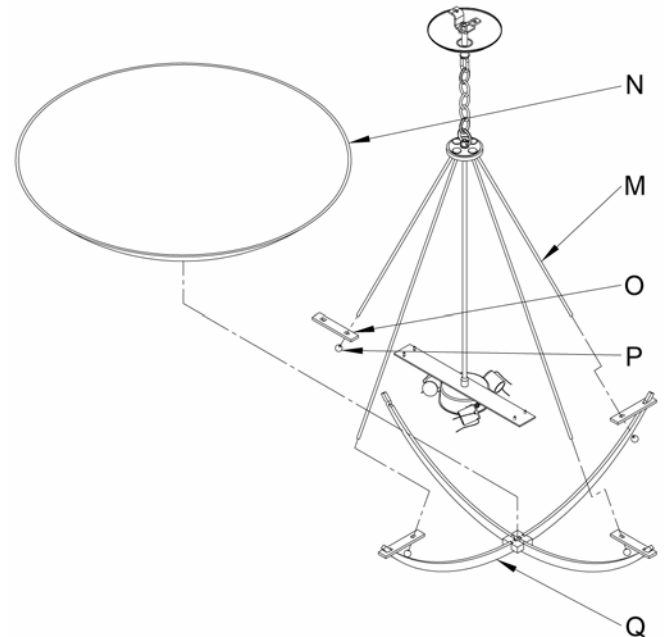
(Figure 2)

To Install Glass Frame and Glass (Figure 3)

Component Parts

- M Threaded Rod (4)
- N Glass
- O Tab
- P Threaded Ball (4)
- Q Glass Frame

1. Slip tabs on glass frame (Q) onto three threaded rods (M) and attach with threaded ball (P).
2. Slip glass (N) into glass frame (Q) so it rests below the three tabs.
3. Slip tab (O) onto last threaded rod (M) and slide onto glass frame (Q).
4. Thread threaded ball (P) onto threaded rod (M).
5. Install light bulbs (not provided).



(Figure 3)

Assembly & Installation Instructions

For Compass Chandelier 19-453010 & 19-453610

A122

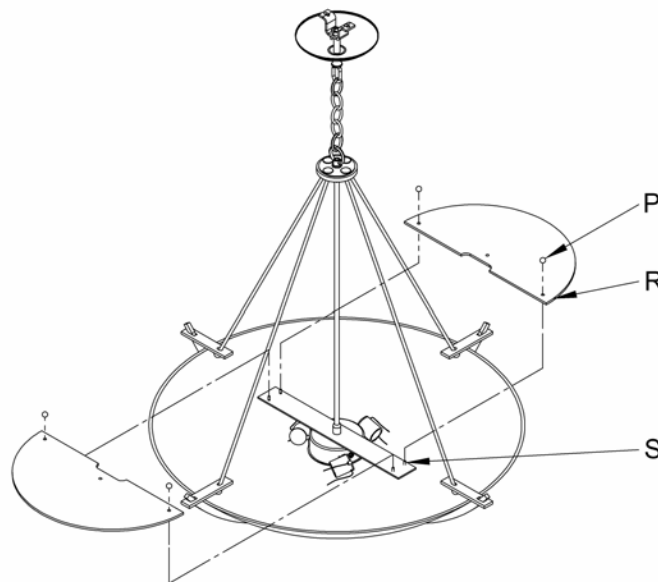
Page 3 of 3

To Install Diffuser Glass (Figure 4)

Component Parts

- P Threaded Ball (4)
- R Diffuser Glass (2)
- S Threaded Stud (4)

1. Slip diffuser glass (R) over threaded stud (S).
2. Install threaded ball (P) on to threaded stud (S) until snug against diffuser glass (R). Be careful not to over tighten.
3. Restore electricity at main breaker.



(Figure 4)

If you need further assistance, or find that you are missing any parts, please contact the dealer from which you purchased this product. We hope you enjoy your fixture!

* Hubbardton Forge will not be liable for injury or damage caused by improper installation, lamping or use of this fixture.