

Assembly & Installation Instructions

A116

Compass Semi-Flush 124560

Page 1 of 2

CAUTION: FAILURE TO INSTALL THIS FIXTURE PROPERLY MAY RESULT IN SERIOUS PERSONAL INJURY OR DEATH AND PROPERTY DAMAGE. We recommend installation by a licensed electrician.

This product must be installed in accordance with applicable installation code(s), by a person familiar with the construction and operation of the product and the hazards involved.*

Caution: Do not exceed maximum wattage noted on fixture. Use only recommended bulbs with fixture.

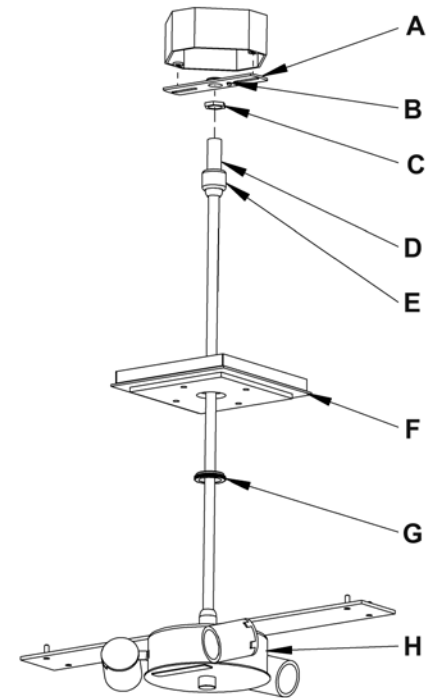
Install the Canopy (Figure 1)

Component Parts

A	Crossbar	E	Coupling
B	Ground Screw	F	Canopy
C	Hex Nut	G	Canopy Ring
D	Threaded Nipple	H	Socket Assembly

Caution: Be sure power is off at the main breaker box prior to installation.

1. Slip canopy ring (G) large diameter first over threaded nipple (D) and thread on and over coupling (E) followed by canopy (F) coming to rest on socket assembly (H).
2. Thread hex nut (C) and crossbar (A) onto threaded nipple (D), leave parts loose.
3. Using two machine screws (not provided) fasten the crossbar (A) to the electric box.
Note: A new electric box comes with screws. When replacing a fixture, retain the existing screws for use with the new fixture.
4. Adjust the length of threaded nipple (D) in crossbar (A) so that canopy ring (G) will hold canopy (F) against the ceiling with no threads showing for best appearance. When the correct adjustment is established, tighten hex nut (C) against crossbar (A) to hold the adjustment.
5. Loosen canopy ring (G) from coupling (E) and lower canopy ring (G) and canopy (F) until they rest on top of socket assembly (H).
6. Using suitable wire connectors (not provided) connect fixture wires to supply wires (white to white or ribbed and black to black or smooth. Connect all ground wires to green ground screw (B). Push wires back into outlet box.
Caution: Make sure wire connectors are twisted on securely, and no bare wire is exposed.



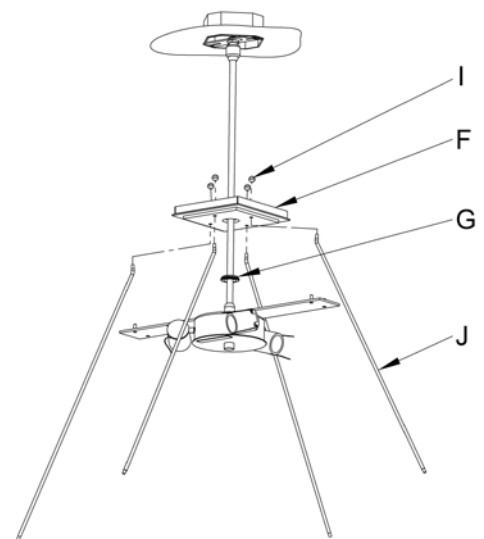
(Figure 1)

Install the Threaded Rods (Figure 2)

Component Parts

F	Canopy
G	Canopy Ring
I	Knurl Ball (4)
J	Threaded Rod (4)

1. Slip bent end of threaded rod (J) through holes in canopy (F).



(Figure 2)

(continued)

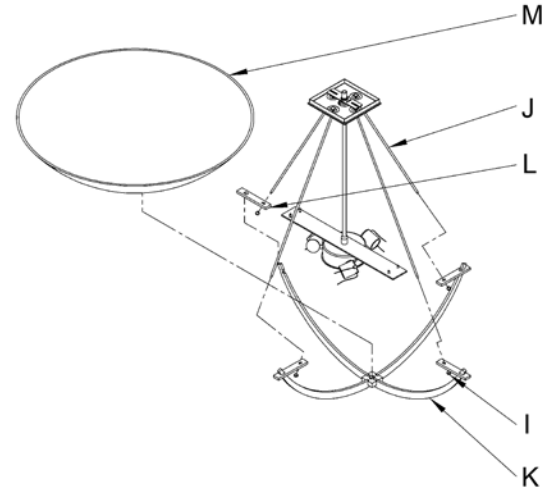
2. Thread knurl ball (I) onto threaded rod (J) until snug against inside of canopy (F).
3. Slide fixture canopy (F) against ceiling, and secure with canopy ring (G).

To Install Glass Frame and Glass (Figure 3)

Component Parts

- I Knurl Ball (4)
- J Threaded Rod (4)
- K Glass Frame
- L Tab
- M Glass

1. Slip tabs on glass frame (K) onto three threaded rods (J) and attach with knurl ball (I).
2. Slip glass (M) into glass frame (K) so it rests below the three tabs.
3. Slip tab (L) onto last threaded rod (J) and slide onto glass frame (K).
4. Thread knurl ball (I) onto threaded rod (J).
5. Install light bulbs (not provided).
6. Restore electricity at main breaker.



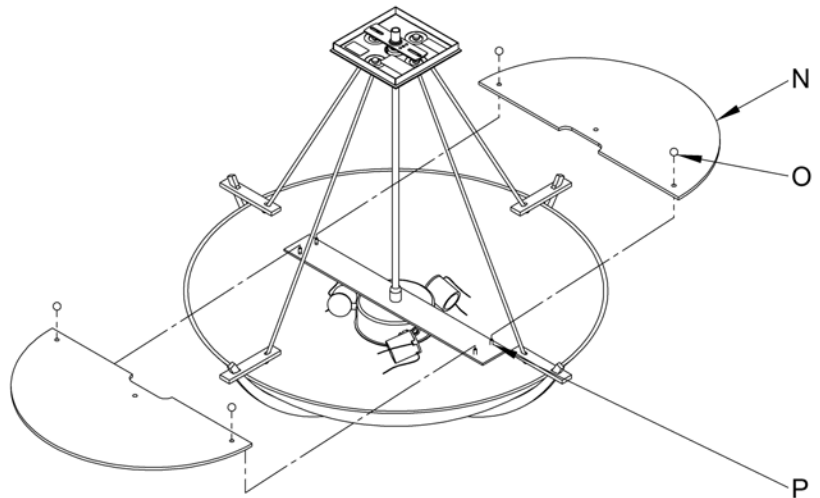
(Figure 3)

To Install Diffuser Glass (Figure 4)

Component Parts

- N Diffuser Glass (2)
- O Threaded Ball (4)
- P Threaded Stud (4)

1. Slip diffuser glass (N) over threaded stud (P).
2. Install threaded ball (O) on to threaded stud (P) until snug against diffuser glass (N). Be careful not to over tighten.



(Figure 4)

If you need further assistance, or find that you are missing any parts, please contact the dealer from which you purchased this product. We hope you enjoy your fixture!

* Hubbardton Forge will not be liable for injury or damage caused by improper installation, lamping or use of this fixture.